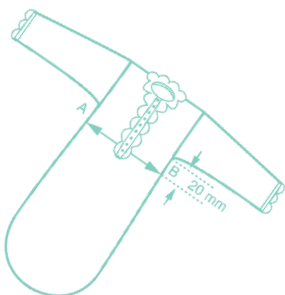
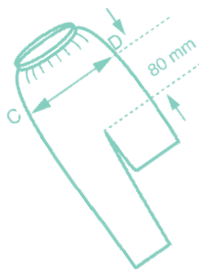
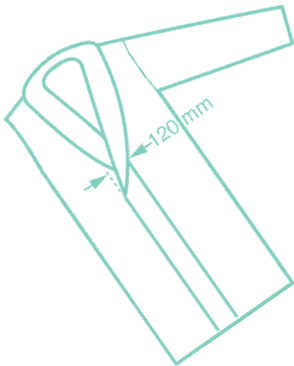
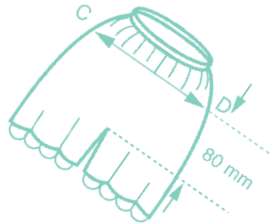
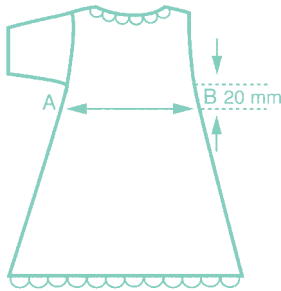
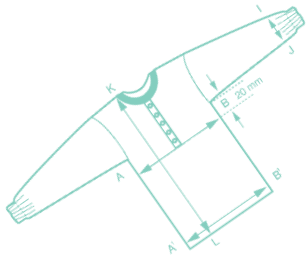




Health
Canada

Santé
Canada



CHILDREN'S SLEEPWEAR: FLAMMABILITY REQUIREMENT GUIDELINES

POLICY GUIDELINES FOR
THE CHILDREN'S SLEEPWEAR
REQUIREMENTS UNDER THE
HAZARDOUS PRODUCTS ACT

**CHILDREN'S
SLEEPWEAR:
FLAMMABILITY
REQUIREMENT
GUIDELINES**

**POLICY GUIDELINES FOR
THE CHILDREN'S SLEEPWEAR
REQUIREMENTS UNDER THE
*HAZARDOUS PRODUCTS ACT***

December 2003

Our mission is
to help the people of Canada
maintain and improve their health.

Health Canada

Published by authority of the
Minister of Health

Également disponible en français sous
le titre

*Vêtements de nuit pour enfants :
Lignes directrices concernant les
exigences en matière d'inflammabilité*

This publication can be made available
in/on computer diskette/large
print/audio-cassette/braille
upon request.

© Her Majesty the Queen in Right of Canada,
2004
Cat. H49-117/2004E
ISBN 0-662-35964-X



TABLE OF CONTENTS

Preface	4
Introduction	4
The <i>Hazardous Products Act</i>	5
The Requirements Under the <i>Hazardous Products Act</i>	6
General Considerations	8
A. Basic Designs	10
Polo Pyjamas	10
Sleeper	13
Sleepwear for Infants up to 7 kg	16
Sleepwear for Hospitals	17
Nightgown and Nightshirt	18
Dressing Gown, Bathrobe, Housecoat, Robe	19
Pyjamas	22
Baby-doll Pyjamas	24
B. Other Designs and Accessories	25
Mixed-Style Sleepwear	25
Ponchos and Capes	26
Night Cap and Slippers	27
References	28
Appendix I: Measurement of Sleepwear	29
Appendix II: Related Regulations	33

PREFACE

The objective of this document is to provide the appropriate guidelines to identify children's sleepwear, and to distinguish which children's sleepwear must comply with the more stringent requirements set out in the *Hazardous Products (Children's Sleepwear) Regulations* (HP(CS)R). The guidelines will help the industry to comply with the requirements under the *Hazardous Products Act* (HPA), and will help to enhance uniformity of enforcement across Canada.

These guidelines reflect the current policy of the Product Safety Bureau. These guidelines were developed in consultation with the children's sleepwear industry, and are not a final interpretation of the regulations, which is a matter for the courts; however, they remain working directives that may be updated from time to time.

INTRODUCTION

The purpose of the *Hazardous Products Act* is to protect the health and safety of consumers by prohibiting or regulating the sale, advertising or importation of hazardous or potentially hazardous consumer products. The flammability of children's sleepwear up to size 14X¹ is regulated under the HPA.

The flammability of children's sleepwear up to size 6X has been regulated since 1971. In spite of those early regulations, burn injuries to and deaths of children resulting from the ignition of sleepwear continued to occur. In order to improve the safety of certain children's sleepwear, more stringent regulations were adopted in 1987. Since that time, according to our records, no children have died as a result of the ignition of complying sleepwear.

1. These guidelines are based on dimensions specified in the National Standards of Canada for sizing children's garments (see References). Since no national standards exist for 14X children's sleepwear, the dimensions specified in this document were developed in consultations with experts in this area.

THE HAZARDOUS PRODUCTS ACT

Under the HPA, it is prohibited to advertise, sell or import children's sleepwear that do not comply with the flammability requirements set out in two distinct items:

1. Item 5 of Part I of Schedule I of the HPA:

"Children's Sleepwear, other than products included in item 40 of Part II of the Schedule, in sizes up to and including size 14X that when tested in accordance with method D1230-61, the Standard Method of Test for Flammability of Clothing Textiles, a standard of the American Society for Testing and Materials, have a time of flame spread of 7 seconds or less."

Children's sleepwear that must comply with item 5 of Part I are exempted by item 40 of Part II. They consist of the following:

- sleepwear designed for hospital use;
- sleepwear for infants weighing up to 7 kg;
- polo pyjamas; and
- sleepers.

2. Item 40, Part II of Schedule I to the HPA and the *Hazardous Products (Children's Sleepwear) Regulations*:

"Children's nightgowns, nightshirts, dressing gowns, bathrobes, housecoats, robes, pyjamas and baby-doll pyjamas in sizes up to and including 14X other than:

- (a) those designed for hospital use;
- (b) those designed for infants up to 7 kg;
- (c) polo pyjamas; and
- (d) sleepers."

The garments cited in this item 40 of Part II must comply with the stringent flame resistance requirements set out in the (HP(CS)R). The Canadian test is based on current American criteria and testing methods (DOC FF 5-74, Standard for the Flammability of Children's Sleepwear: sizes 7 through 14, U.S. Code of Federal Regulations).

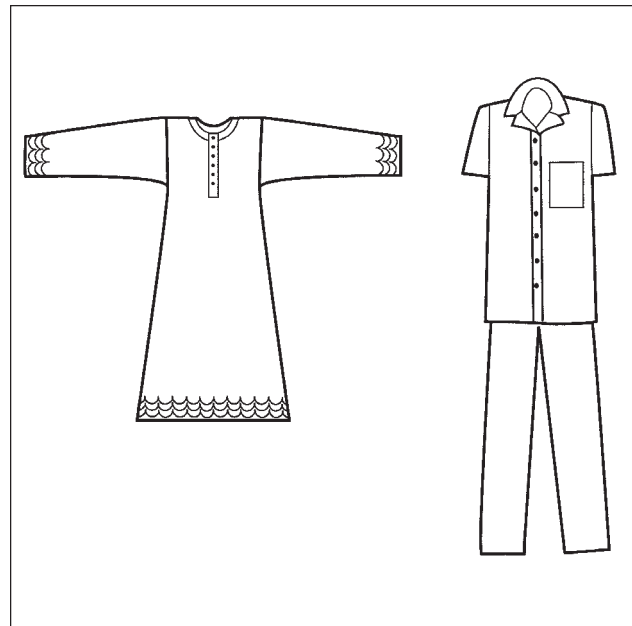
Note: Garments, other than children's sleepwear, must comply with item 4, Part I of Schedule I to the HPA (see Appendix II).

THE REQUIREMENTS UNDER THE HPA

The requirements for children's sleepwear differ depending on the style of the sleepwear, i.e., loose fitting or tight fitting:

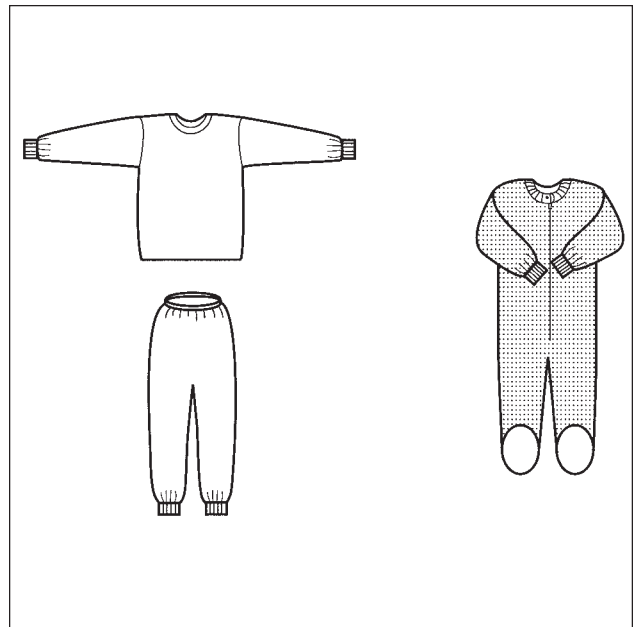
- Loose-fitting children's sleepwear are, relative to tight-fitting, more dangerous as they are more likely to make contact with ignition sources. They must comply with the requirements set out in the HP(CS)R which apply to the products cited in item 40, Part II of Schedule I to the HPA.
- **Fabrics that would comply:** So far, laboratory testing has shown that usually garments made of 100% nylon, 100% polyester, or polyester/nylon blends are likely to comply with the HP(CS)R. The presence of cotton threads or cotton trim in a 100% nylon, or 100% polyester, or polyester/nylon blends may affect the flammability of the garments. Only testing can ensure that a fabric complies with the regulations.

Examples of Loose-fitting Sleepwear



- Tight-fitting children's sleepwear with tight cuffs at the end of sleeves and pants such as polo pyjamas and sleepers are safer as they are less likely to make contact with ignition sources. These garments must comply with the requirements of item 5, Part I of Schedule I to the HPA.
- **Fabrics that would comply:** Garments made of cotton, cotton/polyester blends, acetate, rayon, nylon, polyester, silk and acrylic are likely to comply with the above requirement. If a fabric has a raised fibre surface such as cotton fleece or it is a sheer fabric, it should be tested to ensure it comply with this requirement. Only testing can ensure that a fabric complies with this requirement.

Examples of Tight-fitting Sleepwear



GENERAL CONSIDERATIONS

The following factors must be considered by the manufacturer, the importer and the retailer before marketing children's sleepwear:

Promotion

A garment promoted, labelled or sold as a children's sleepwear in size 14X or smaller must comply with the requirements of the HPA.

Disclaimer Statement

The fact that a garment bears a label that expressly declares that the garment is intended to be used for a purpose other than sleepwear will not exempt that garment from the requirements of the HPA.

Daywear/Nightwear

A garment that is likely to be used by children for sleeping or activities related to going to bed is considered to be children's sleepwear, which includes loungewear. A children's garment that

resembles sleepwear because of its design, pattern or current fashion will be considered as sleepwear even if it is sold, advertised or imported as daywear. As such it will still have to comply with the requirements of the HPA for children's sleepwear.

Mixed-Style Sleepwear

When sleepwear consists of two or more garments of different styles that are capable of being worn either together or separately, each garment must be evaluated separately to determine the requirement with which the particular garment must comply (see page 25).

Modified Sleepwear

If a sleepwear has been modified by a permanent addition that changes its style, even partially, to a style subject to item 40, Part II of Schedule I to the HPA, the whole garment must comply with the HP(CS)R. (see page 15 for an illustration of a modified sleeper).

Adult’s/Children’s Sleepwear

The dimension of the chest/seat circumference is used to differentiate between children’s sleepwear size 14X, covered by the requirements of the HPA and adult’s sleepwear. When the chest/seat circumference of a particular garment is less than the dimension set out in the table below, it is considered to be children’s sleepwear of size 14X or smaller. Children’s sleepwear with a chest/seat

circumference greater than the dimension set out in the table below that is advertised, labelled or sold as children’s sleepwear of sizes 14X or smaller must also comply with the requirements of applicable provision of the HPA or its regulations. For example, if a polo pyjama sized 14X has a chest circumference greater than 980 mm, it will be considered as pyjama and must comply with the HP(CS)R.

Table of dimensions for size 14X (mm)

	Polo Pyjama	Sleeper	Night-gown, Night-shirt	Dressing Gown, Bathrobe, etc.	Pyjama	Baby-doll Pyjama
Chest Circumference	980	1000	980	980	980	980
Seat Circumference	980	1040	N/A	N/A	980	980

A. Basic Designs

Polo Pyjamas

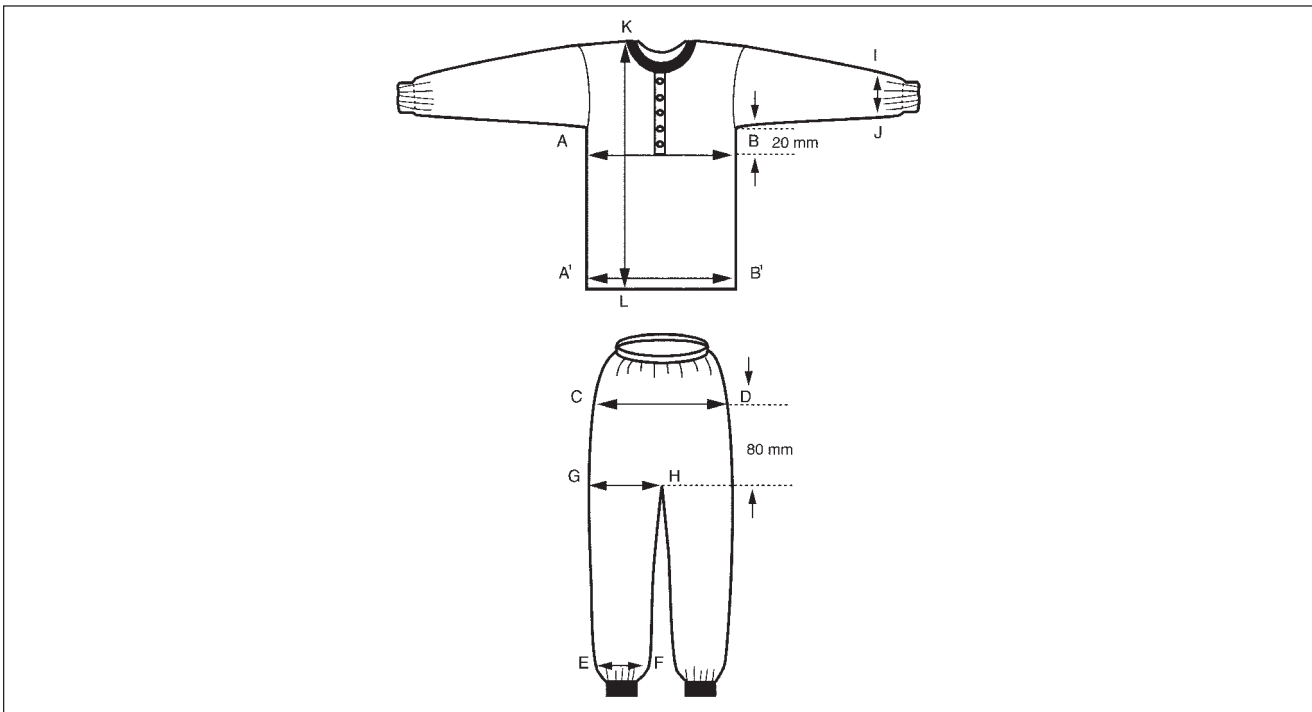
Garment Description

Polo Pyjamas: A tight-fitting two-piece sleepwear suit, where the top is a pull-over. The length of the sleeves and the pants may vary. Polo pyjamas are characterized by tight cuffs at the end of the sleeves and at ends of the pant or, in the absence of cuffs, by stretch fabric that like a cuff, holds the garment close to the body so that there are no loose edges that can make contact with an ignition source. Polo pyjamas may have stirrup straps.

Applicable Item

Item 5, Part I of Schedule I to the HPA.

Figure 1
Polo Pyjamas



Dimensional Restrictions

Note: see Appendix I for how to measure

Dimensional Criteria

Polo pyjamas that exceed the maximum dimensional criteria set out in Table I will be considered as pyjamas and must comply with the HP(CS)R.

Waist Circumference of the top (twice the distance from A¹ to B¹): the waist circumference of the top must be smaller or equal to the chest circumference.

Neck Opening: the neck opening must not go below the line AB, where the chest circumference is measured.

Table I
Maximum Dimensional Criteria (mm)

Sizes	Chest Circumference (twice A-B)	Seat Circumference (twice C-D)	Thigh Circumference (twice G-H)	Ankle Circumference (twice E-F)	Wrist Circumference (twice I-J)	Length of the Top (K-L)
0 to 2	740	725	410	310	285	400
3 to 4	780	725	435	320	290	450
5 to 6X	830	795	470	330	295	525
7 to 10	900	850	530	350	305	590
12 to 14X	980	980	590	370	315	650

Design Restrictions

Front Opening: A sleepwear garment where the top can be left completely open (un-buttoned) is considered to be a pyjamas top and must comply with the HP(CS)R.

Shirt Tail: A top that is open at its lowest part along the side seams or has a shirt tail, is considered to be a pyjamas top and must comply with the HP(CS)R.

Tight Cuffs: Tight cuffs are required at the ends of the sleeves and at the ends of the pants when the garment has no feet. This requirement applies to short or long sleeves or pants. "Tight cuffs" includes rib cuffs, tunnelled elastic, elasticized lace, stretch terry and any cuffs made of stretch fabric that ensures that the garment is held close to the body so that there are no loose edges that can make contact with an ignition source.

Lettuce Edging: Lettuce edging that stretches the fabric in a ruffle at the end of short or long sleeves or pants or at the lowest part of the top is not allowed. Lettuce edging is not allowed at the end of tight cuffs either.

Leggings: When the pants are made of stretch fabric, such as spandex (LYCRA™) or any other fabric that contains an elastomer to ensure the pants remain tight to the body for the life of the sleepwear, so that there are no loose edges that can make contact with an ignition source, the addition of tight cuffs is not required.

Frills, Ruffles, Collars, etc.: Frills, ruffles, collars, loose edges or pompons not exceeding 5 cm, when measured from the seam to the loose edge, are allowed at the neck only.

Boxer Sets: Boxer sets, such as matching boxer shorts and t-shirt/camisole top, do not have tight cuffs and are considered as pyjamas and must comply with the HP(CS)R. (See Boxer Sets on page 23).

Sleeper

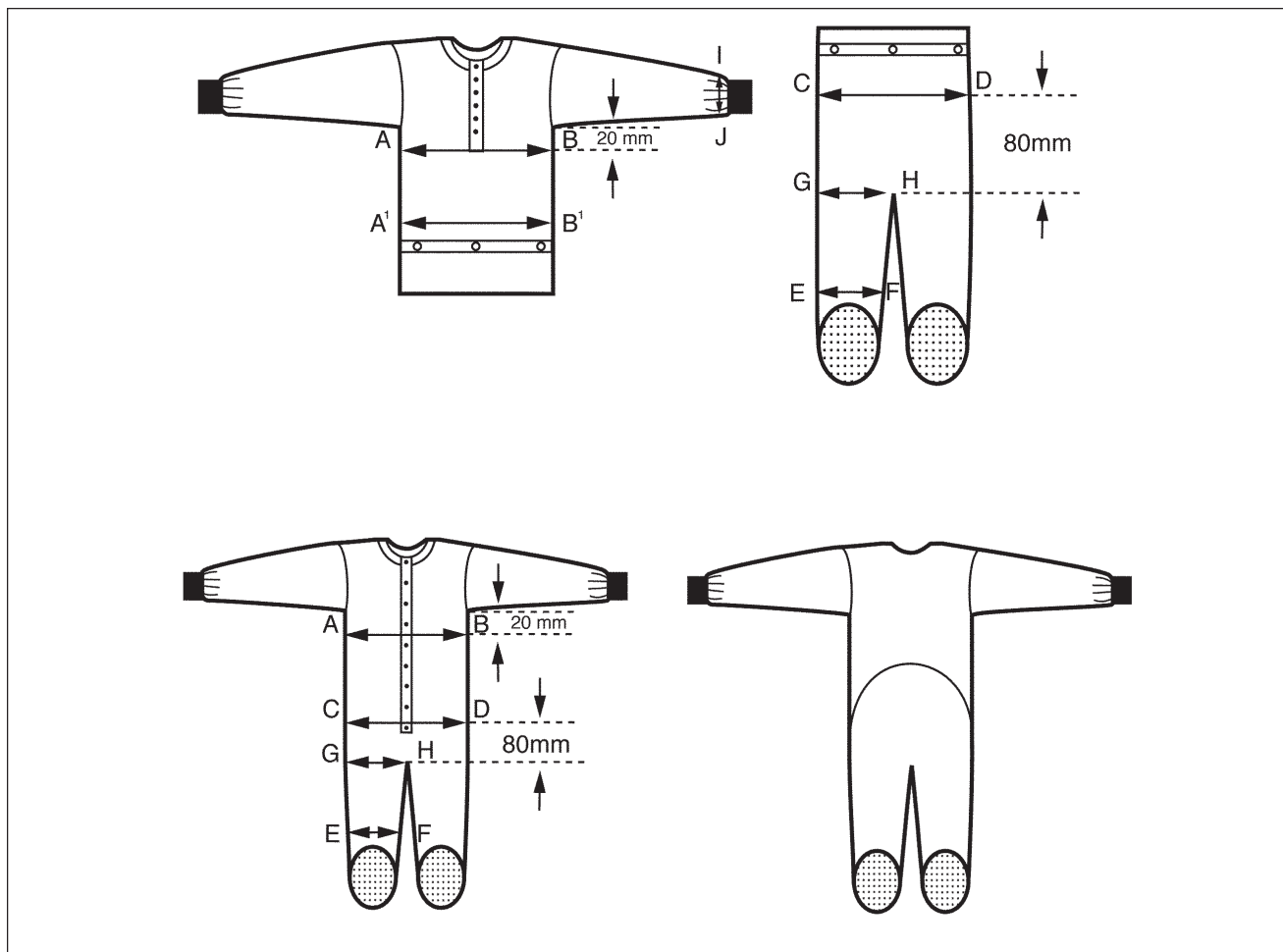
Garment Description

Sleeper: One- or two-piece sleepwear suit with legs, the two piece suit being normally joined at the waist by means of buttons, snaps or Velcro. The suit is characterized by tight cuffs at the end of the sleeves and legs when feet are omitted.

Applicable Item

Item 5, Part I of Schedule I to the HPA.

Figure 2
Sleeper



Dimensional Restrictions

Note: see Appendix I for how to measure

Dimensional Criteria

Sleepers that exceeds the maximum dimensional criteria set out in Table II must comply with the HP(CS)R.

Waist Circumference of the top (twice the distance from A¹ to B¹): the waist circumference of the top must be smaller or equal to the chest circumference.

Table II
Maximum Dimensional Criteria (mm)

Sizes	Chest Circumference (twice A-B)	Seat Circumference (twice C-D)	Thigh Circumference (twice G-H)	Ankle Circumference (twice E-F)	Wrist Circumference (twice I-J)
0 to 2	740	725	410	310	285
3 to 4	780	725	435	320	290
5 to 6X	830	795	470	330	295
7 to 10	910	920	530	350	305
12 to 14X	1000	1040	590	370	315

Design Restrictions

Tight Cuffs: Tight cuffs are required at the ends of the sleeves and at the ends of the pants when the garment has no feet. This requirement applies to short or long sleeves or pants. Tight cuffs include rib cuffs, tunnelled elastic, elasticized lace, stretch terry and cuffs made of stretch fabric that ensures that the garment is held close to the body so that there are no loose edges that can make contact with an ignition source.

Lettuce Edging: Lettuce edging that stretches the fabric in a ruffle at the end of short or long sleeves or pants or at the lowest part of the top, when it is a two-piece sleeper, is not allowed. Lettuce edging is not allowed at the end of tight cuffs either.

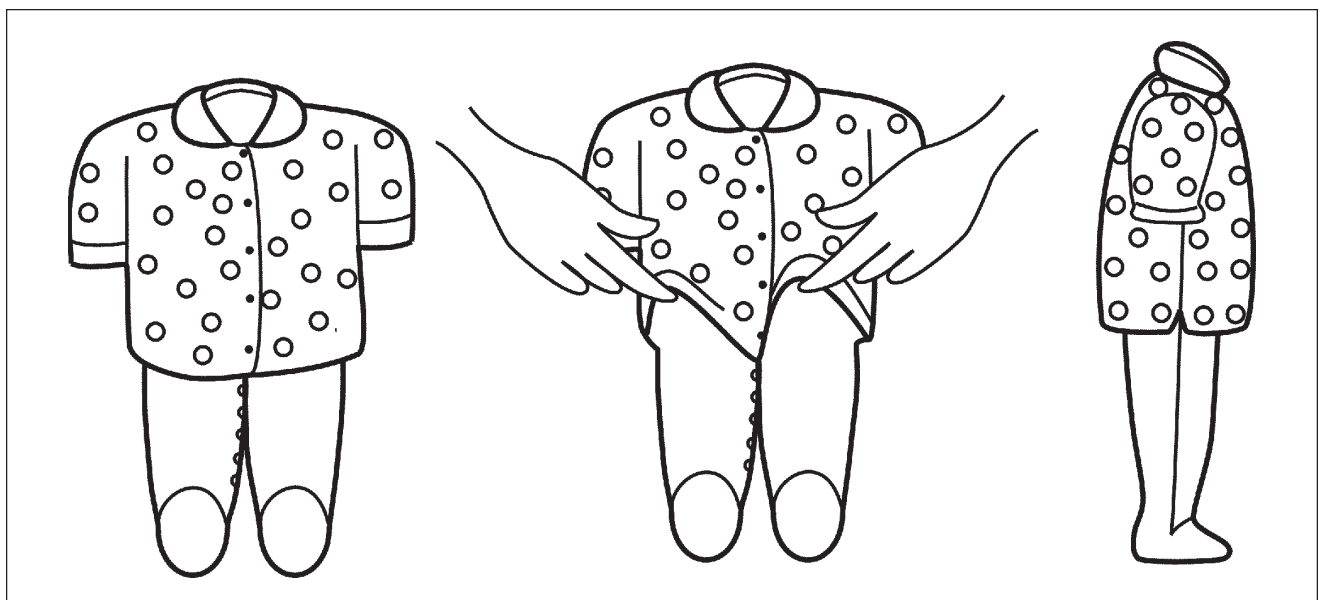
Frills, Ruffles, Collars, etc.: Frills, ruffles, collars, loose edges or pompons not exceeding 5 cm, when measured from the seam to the loose edge, are allowed at the neck only.

Two Piece Sleeper: The means to join the top and the pants of a two piece sleeper must be designed in such a way that the top is **tucked into** the pants.

Modified Sleeper: If one- or two-piece sleeper has been modified by a permanent addition that changes its style, even partially, to a pyjama style subject to item 40, Part II of Schedule I to the HPA, then the whole sleeper must comply with the HP(CS)R. For example, in Figure 3, the sleepwear is a sleeper to which a loose top has been sewn on the side of the sleeper.

Figure 3
Modified Sleeper

Subject to item 40, Part II of Schedule I to the HPA and the HP(CS)R



Sleepwear for Infants Up to 7 kg

Applicable Item

Item 5, Part I of Schedule I to the HPA.

Garment Description

Sleepwear for Infants up to 7 kg: A sleepwear for infants up to 7 kg.

Dimensional Restrictions

Note: see Appendix I for how to measure

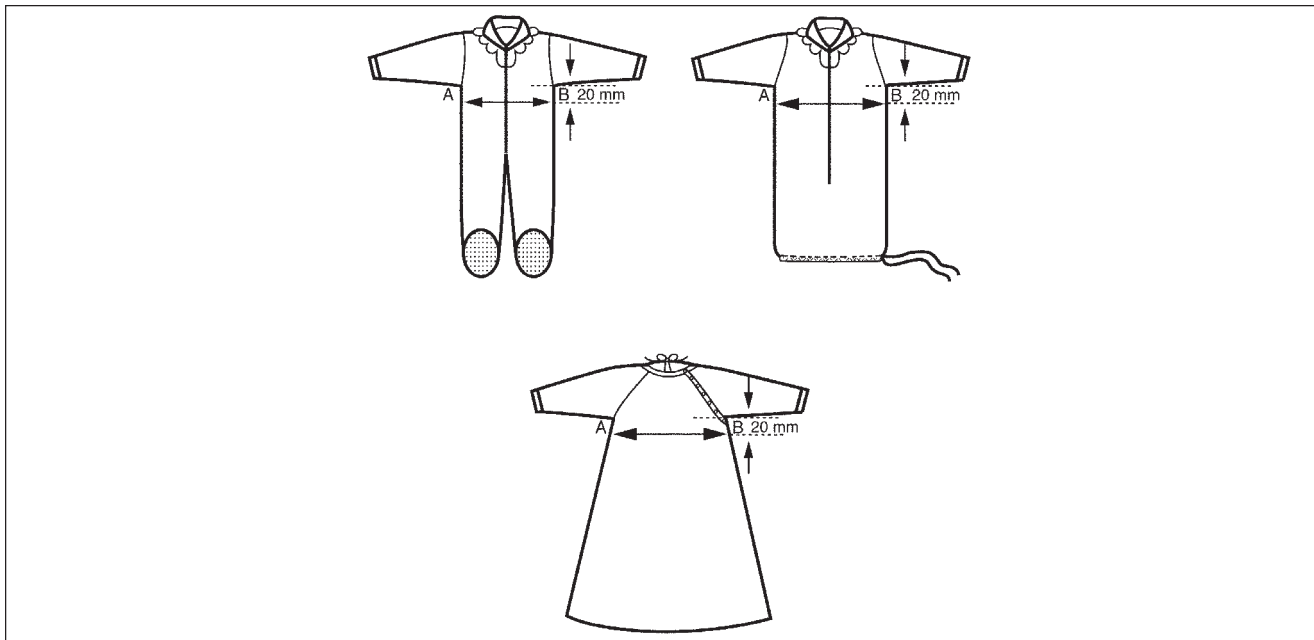
Dimensions of Sleepwear for Infants Up to 7 kg

Chest Circumference (twice the distance from A to B): 508 mm maximum.

Design Restrictions

There is no restrictions on the style or design of sleepwear for infants up to 7 kg.

Figure 4
Sleepwear for Infants Up to 7 kg



Sleepwear for Hospitals

Garment Description

Sleepwear for hospitals: Sleepwear designed to be used in hospitals and sold directly to hospitals.

Applicable Item

Item 5, Part I of Schedule I to the HPA.

Dimensional Restrictions

There is no dimensional restrictions.

Design Restrictions

There is no design restrictions.

Nightgown and Nightshirt

Garment Description

Nightgown and nightshirt: A loose garment, the length of which may vary, worn to bed, also known as a nightie.

Applicable Item

Item 40, Part II of Schedule I to the HPA and the *Hazardous Products (Children's Sleepwear) Regulations*.

Dimensional Restrictions

Note: see Appendix I for how to measure

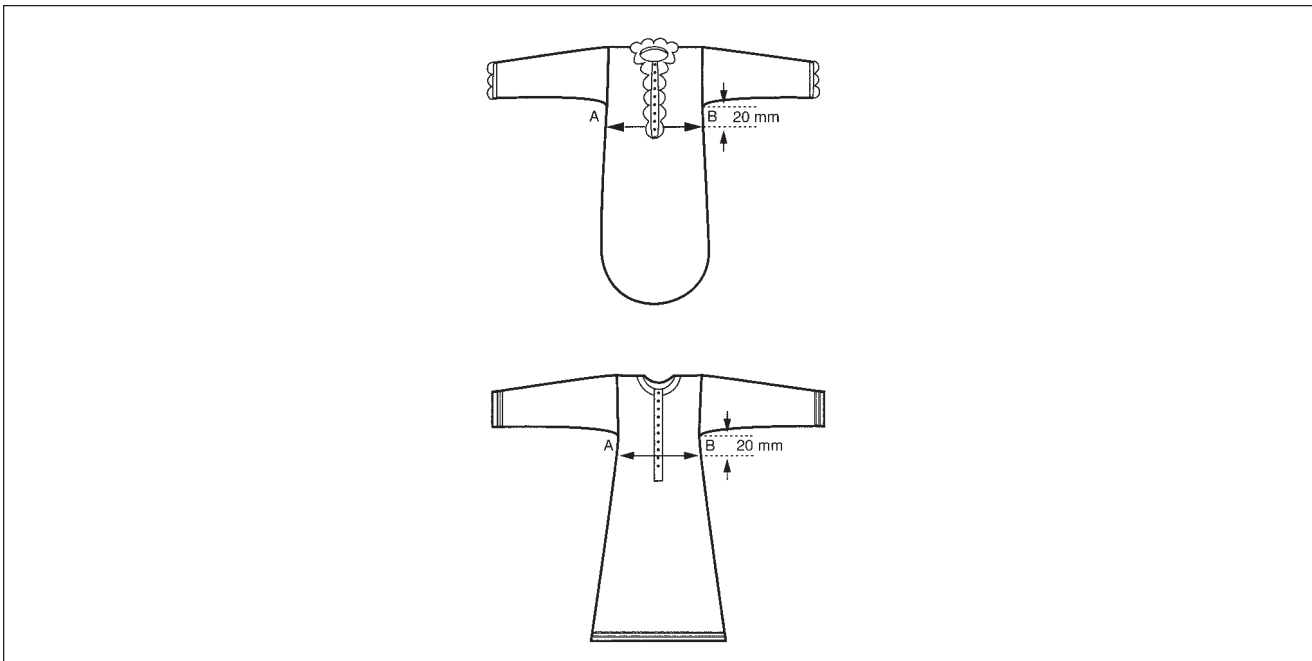
Dimensions for Size 14X

Chest Circumference (twice the distance from A to B): 980 mm maximum.

Design Restrictions

Tight Cuffs: Even if the sleeves or hem have tight cuffs, nightgowns and nightshirts must comply with the HP(CS)R.

Figure 5
Nightgown and Nightshirt



Dressing Gown, Bathrobe, Housecoat, Robe

Garment Description

Robe: A long, loose, and flowing outer garment worn at home.

Bathrobe: An absorbent robe with or without a hood worn before and after bathing.

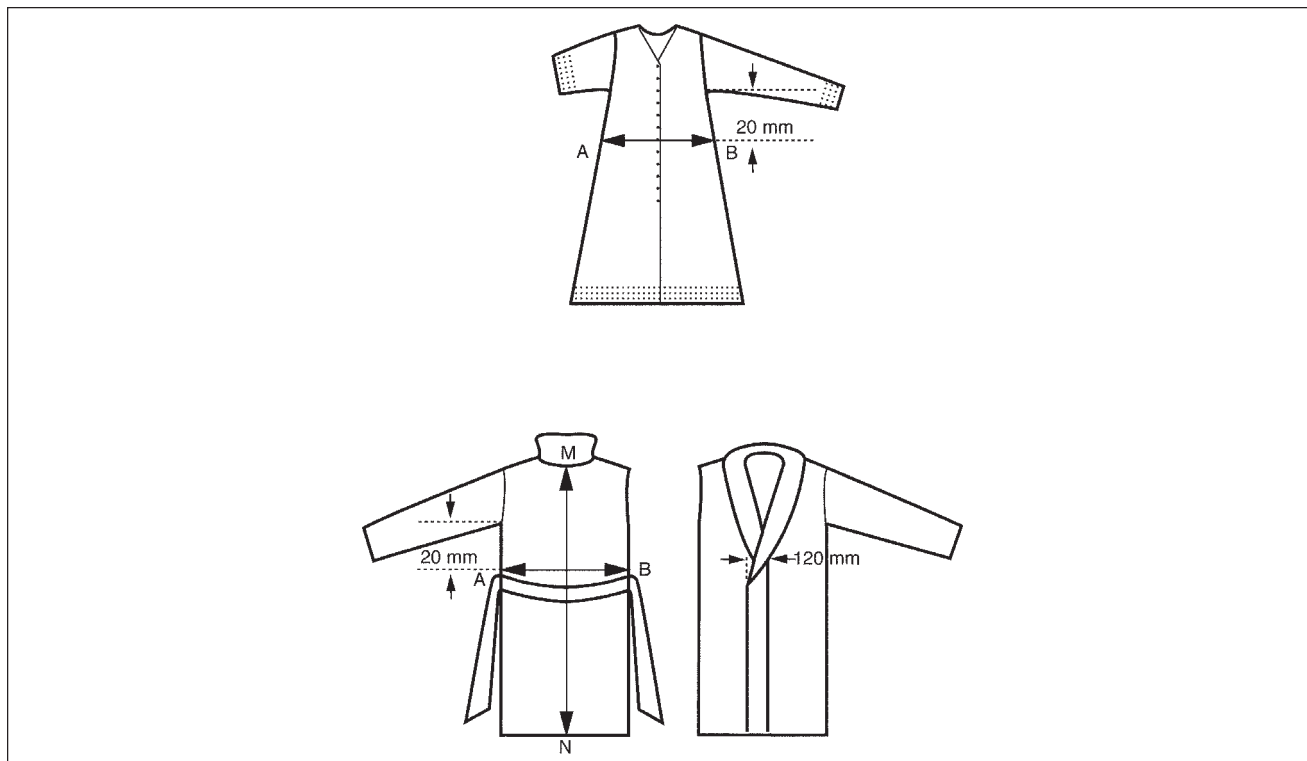
Dressing Gown: A robe worn especially while resting around the house.

Housecoat: Usually a long and loose informal garment worn at home.

Applicable Item

Item 40, Part II of Schedule I to the HPA and the *Hazardous Products (Children’s Sleepwear) Regulations*.

Figure 6
Dressing Gown, Bathrobe, Housecoat, Robe



Dimensional Restrictions

Note: see Appendix I for how to measure

Dimensions for Size 14X

Chest Circumference: (twice the distance from A to B) 980 mm maximum.

Restrictions for Beach Robes

Beach robes are exempted from the requirements of the HP(CS)R unless the following situations occur:

Closing Mechanisms: When the garment is open at the front and it is not closed with the help of any mechanisms like buttons, Velcro, etc., it is considered to be a bath robe.

Exterior Belt: When the garment has an exterior belt, it is considered to be a bath robe.

Length of the Garment: When the garment exceeds the maximum length set out in Table III, it is considered a bath robe. The length of a beach robe has been determined that it does not extend below the hips.

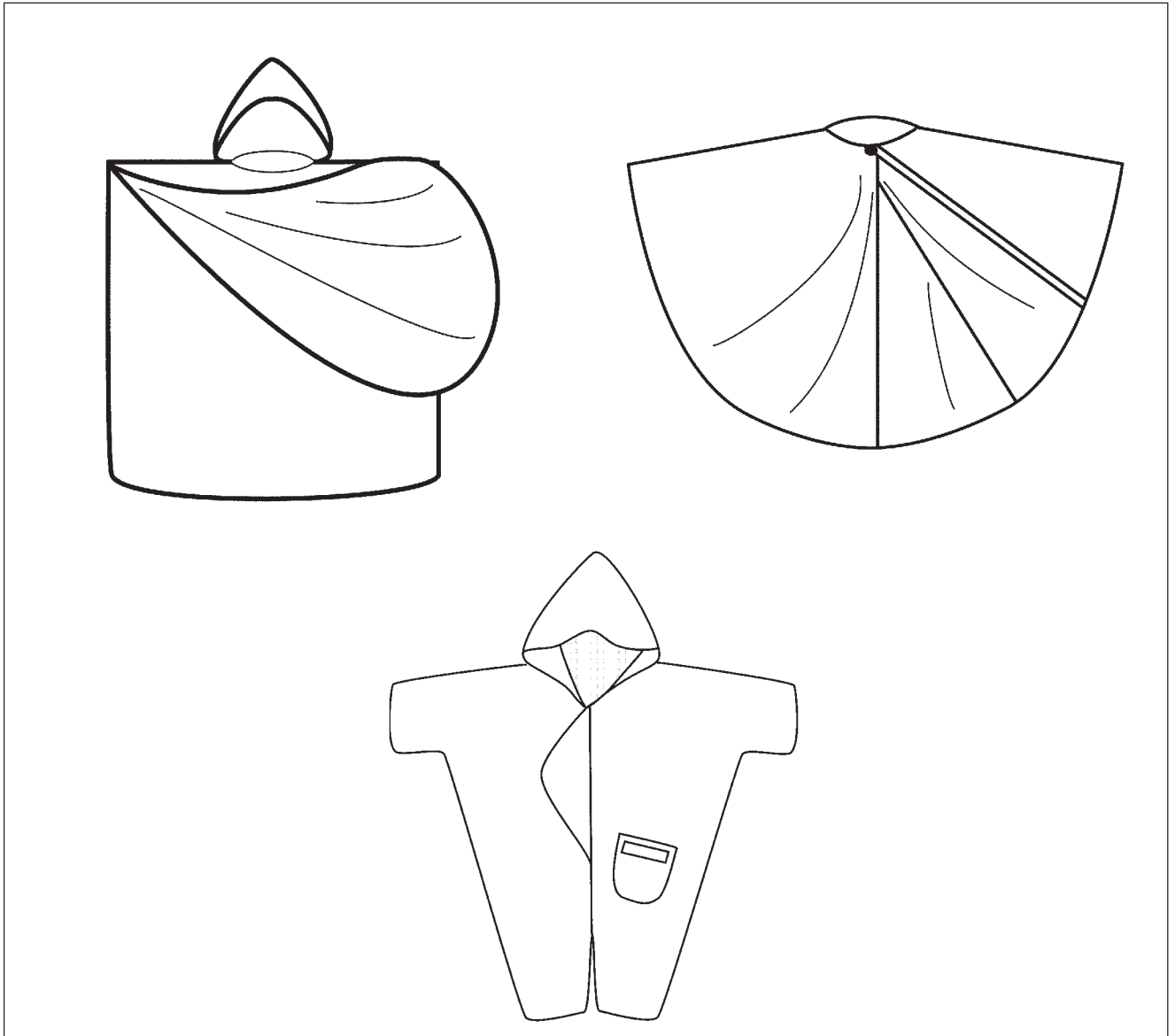
Other: When the garment looks like a bath robe, it is considered to be a bath robe.

**Table III
Maximum Dimensional Criteria for the
Length of a Beach Robe (mm)**

	Length
0 to 2	360
3 to 4	405
5 to 6X	470
7 to 10	540
12 to 14X	600

Ponchos, Capes and One-Piece Jumpsuit: Ponchos, capes and one-piece jumpsuit made of an absorbent fabric capable of drying off a child, are considered to be beach robes, therefore are exempted from the requirements of the HP(CS)R.

Figure 7
Ponchos, Capes and One-piece Jumpsuit



Pyjamas

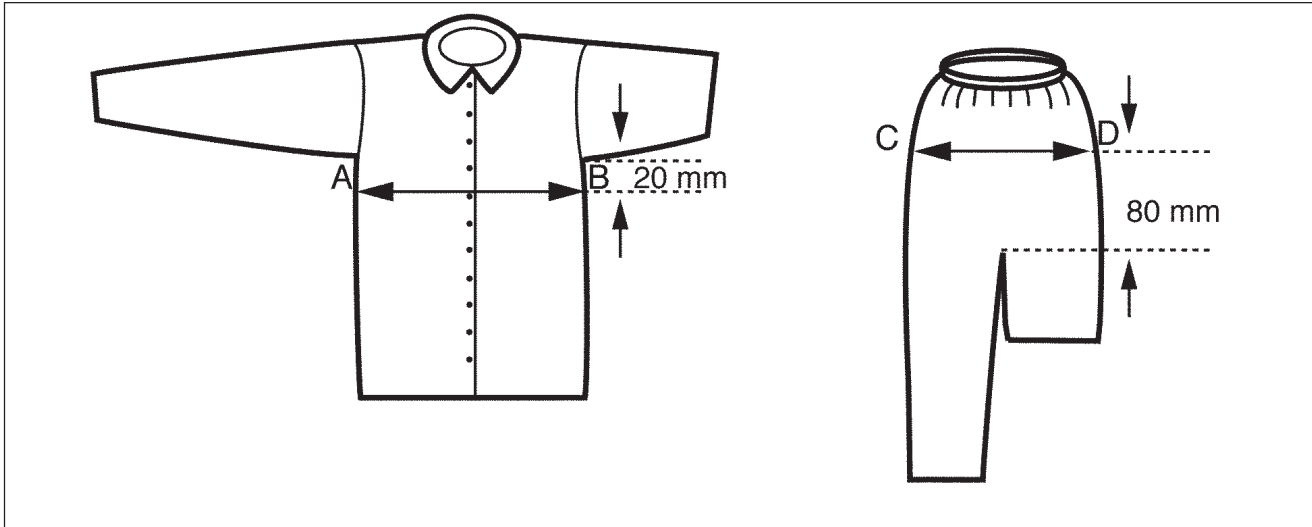
Garment Description

Pyjamas: A loose, usually two-piece suit worn to bed. The top may resemble a shirt. The length of the sleeves and of the pants may vary.

Applicable Item

Item 40, Part II of Schedule I to the HPA and the *Hazardous Products (Children's Sleepwear) Regulations*.

Figure 8
Pyjamas



Dimensional Restrictions

Note: see Appendix I for how to measure

Dimensions for Size 14X

Chest Circumference (twice the distance from A to B): 980 mm maximum.

Seat Circumference (twice the distance from C to D): 980 mm maximum.

Other Pyjamas Style

The following pyjamas style must comply with the requirements of the HP(CS)R.

Boxer Sets: Boxer sets, such as matching boxer shorts and t-shirt/camisole top, do not have tight cuffs and are considered as pyjamas and must comply with the HP(CS)R. Boxer shorts sold individually are not considered sleepwear and must comply with item 4, Part I of Schedule I to the HPA (see Appendix II).

Martial Arts Pyjamas: The garment is two-pieces and the style resembles a martial arts garment. The fabric weight is usually less than 240 g/m². The garment is not sold associated with sporting goods.

Traditional Oriental-Style Pyjamas: The garment is two-pieces and the style is traditionally oriental. The pyjamas trousers or pants are long with an elasticized waist. The front can be closed with snap fasteners, a belt or frog closing. The top opens in front and commonly bears embroidered decorations, usually with oriental characters or motifs. The sleeves are long or short and the collar may or may not be of the mandarin style.

Figure 9
Boxer Sets

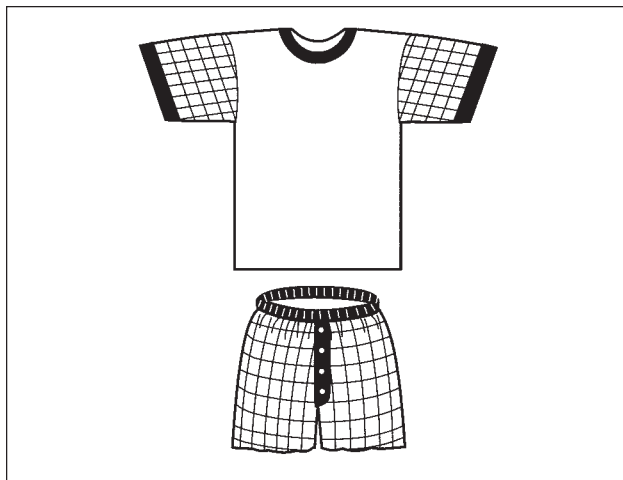
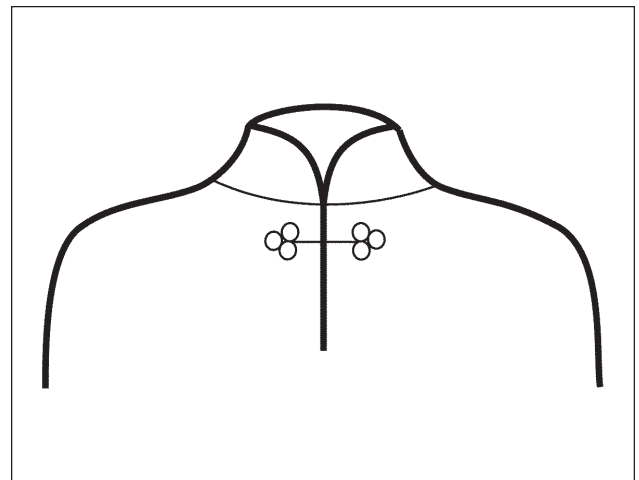


Figure 10
Mandarin Collar and Frog Closing



Baby-doll Pyjamas

Garment Description

Baby-Doll Pyjamas: A night-time garment comprising a top and short panties. The top may be with or without sleeves that extends down to the top of the thigh.

Applicable Item

Item 40, Part II of Schedule I to the HPA and the *Hazardous Products (Children's Sleepwear) Regulations*.

Dimensional Restrictions

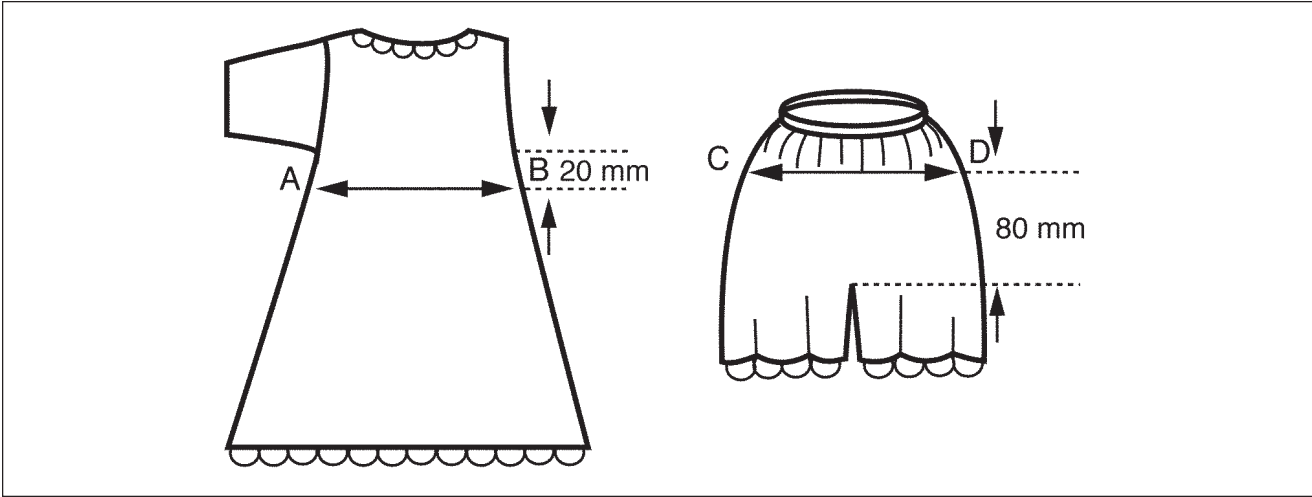
Note: see Appendix I for how to measure

Dimensions for Size 14X

Chest Circumference (twice the distance from A to B): 980 mm maximum.

Seat Circumference (twice the distance from C to D): 980 mm maximum.

Figure 11
Baby-doll Pyjamas



B. Other Designs and Accessories

Mixed Style Sleepwear

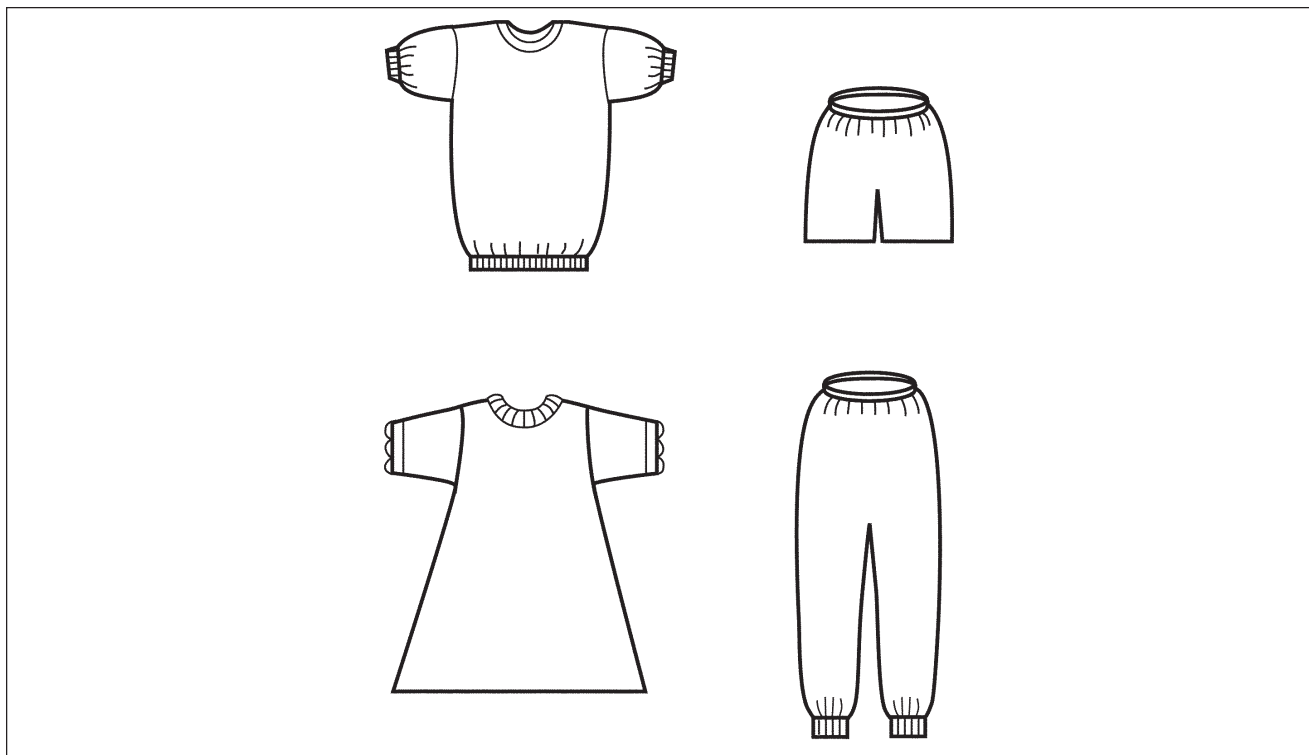
Garment Description

Mixed Style Sleepwear: Sleepwear that consists of two or more sleepwear garments of different styles that are capable of being worn either together or separately.

Applicable Item

Each garment to which the mixed style sleepwear consists of must be evaluated separately to determine which requirement the particular garment must comply with the HP(CS)R, or Item 5, Part I of Schedule I to the HPA.

Figure 12
Mixed Style Sleepwear



Ponchos And Capes

Garment Description

Ponchos: A sleeveless garment made of a continuous piece of fabric, with an opening for the head.

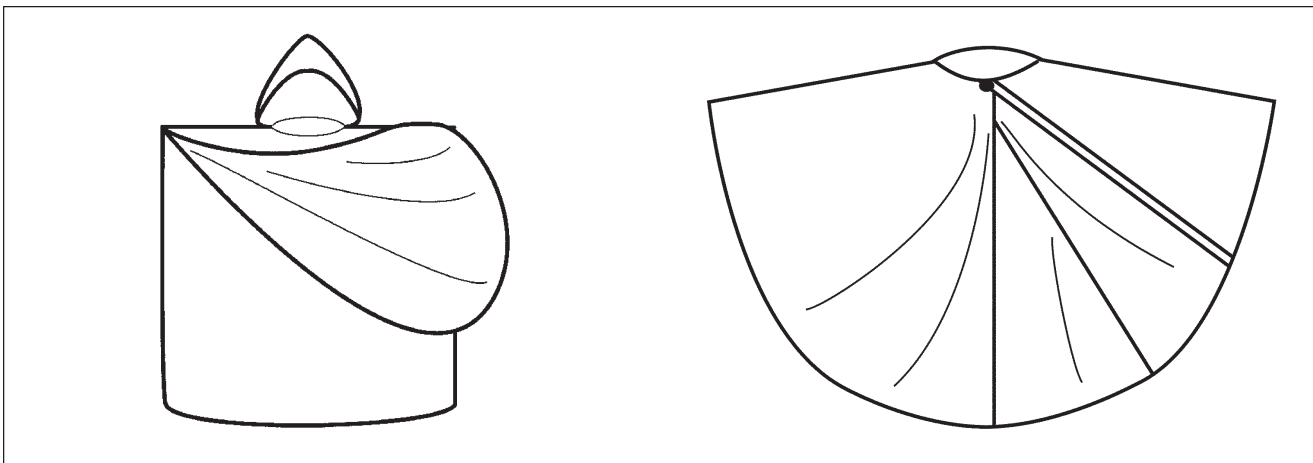
Capes: A sleeveless garment that can be left open all way down in front, that fits closely at the neck and hangs loosely from the shoulders.

Applicable Item

Ponchos or capes that are sold with children's sleepwear are considered a mixed-style sleepwear if the poncho or the cape can be worn with the sleepwear (see Mixed-Style Sleepwear, page 25). The poncho/cape must comply with and the HP(CS)R.

When a poncho or cape is attached permanently to sleepwear or a piece of sleepwear, the sleepwear is considered to be a modified sleepwear (see Modified Sleepwear, page 15). The sleepwear or piece of the sleepwear to which the poncho/cape has been attached permanently must comply with the HP(CS)R.

Figure 13
Ponchos And Capes



Night Cap and Slippers

Garment Description

Night Cap and Slippers: Any night cap or slippers sold with children's sleepwear.

Applicable Item

Item 5, Part I of Schedule I to the HPA.

References

CAN/CGSB-49.50-93 *Children's Canada Standard Sizes 2 to 6X One-Piece Sleepers, Regular Range – Dimensions*

CAN/CGSB-49.18-93 *Canada Standard Children's Sizes 2 to 6X, Girls' Sizes 7 to 16 and Boys' Sizes 7 to 20 Pajamas and Polo Pajamas, Regular Range – Dimensions*

CAN2-49.26-M79 *T-Shirts and Polo-Shirts, Knitted, Outerwear, Little Boys' and Boys', Regular Range – Dimensions*

CAN/CGSB-49.6-M78 *Supplement No. 1 to CAN/CGSB-49.6-M78 Application of the Canada Standard System for the Sizing of Girls' and Boys' Apparel*

APPENDIX I MEASUREMENT OF SLEEPWEAR

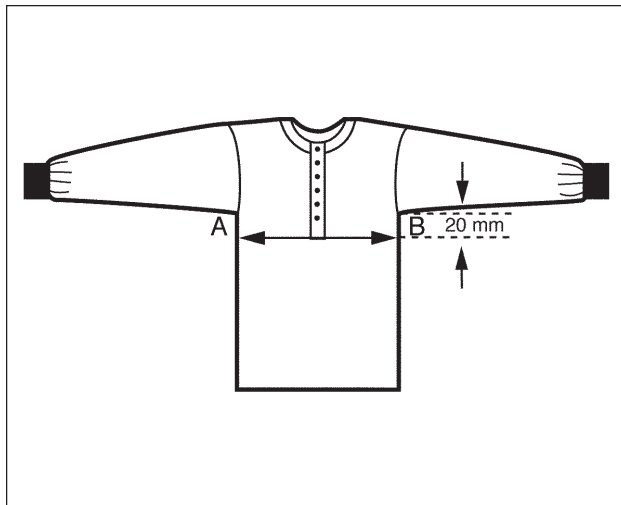
All measurements must be made when the fabric of the garment is smooth and fully extended but without tension and any zippers, buttons or ties are closed, buttoned or tied.

Chest circumference:

The chest circumference for tie-style garments shall be measured when the tied fronts overlap 120 mm.

Twice the distance (twice A to B, Figure 14) across the closed garment 20 mm below the lowest point of the armhole seam.

Figure 14
Example of
Chest Circumference Measurement



For a garment without armhole seams, or with batwing sleeves (see Figure 15), the chest circumference is measured at a distance **Y** as set out in Table IV. The distance **Y** is the distance from the point where the shoulder joins the collar or neck aperture to the chest.

Figure 15
Batwing Sleeves or No Armhole Seams

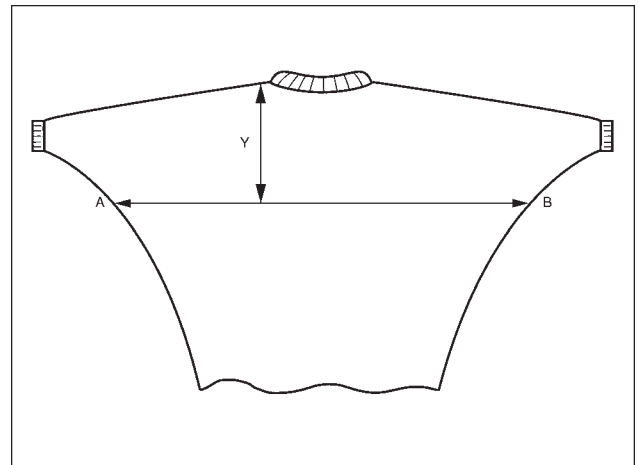


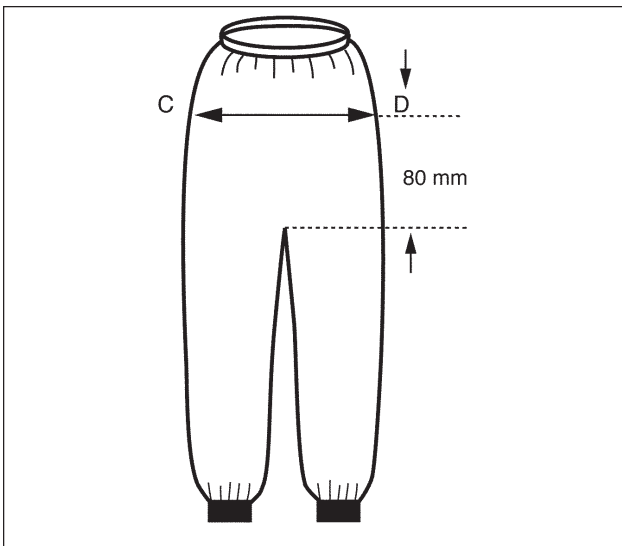
Table IV
Maximum Distances Y (mm)

Sizes	Distances Y
0 to 2	185
3 to 4	195
5 to 6X	210
7 to 10	225
12 to 14X	245

Seat circumference:

Twice the distance across the front of the garment at a distance of 80 mm above the intersection of the crotch seams (twice C to D, Figure 16).

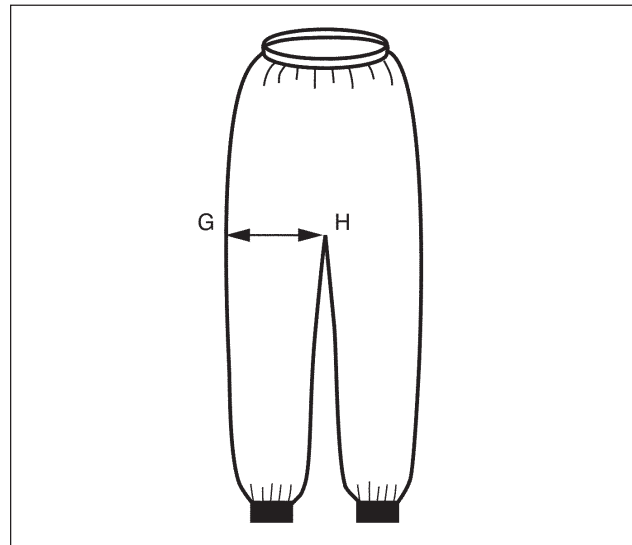
Figure 16
Example of
Seat Circumference Measurement



Thigh circumference:

Twice the distance across the leg of the garment at the highest point of the leg, level with the crotch (twice G to H, Figure 17).

Figure 17
Example of
Thigh Circumference Measurement



Ankle circumference:

Twice the distance across the bottom of the leg (twice E to F, Figure 18). If the sleepwear pants have a rib cuff, the measurement is made where the leg is joined to the rib cuff, with the cuff stretched to permit a full measurement of the ankle circumference.

Wrist circumference:

Twice the distance across the bottom of the sleeve (twice I to J, Figure 19). If the sleeves have a rib cuff, the measurement is made where the sleeve is joined to the rib cuff, with the cuff stretched to permit a full measurement of the wrist circumference.

Figure 18
Example of
Ankle Circumference Measurement

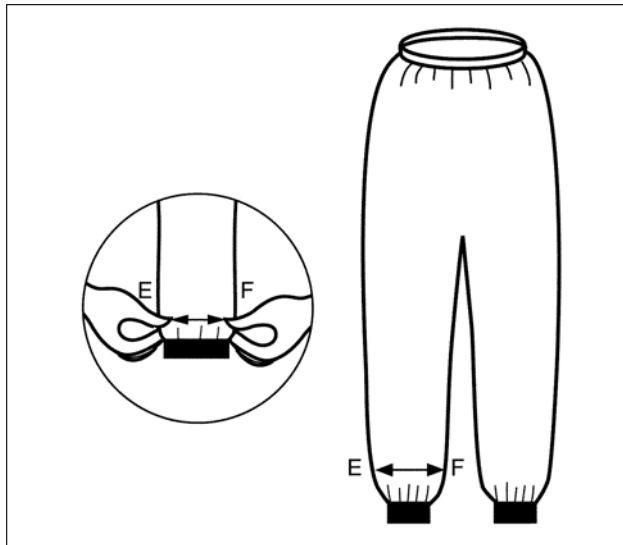
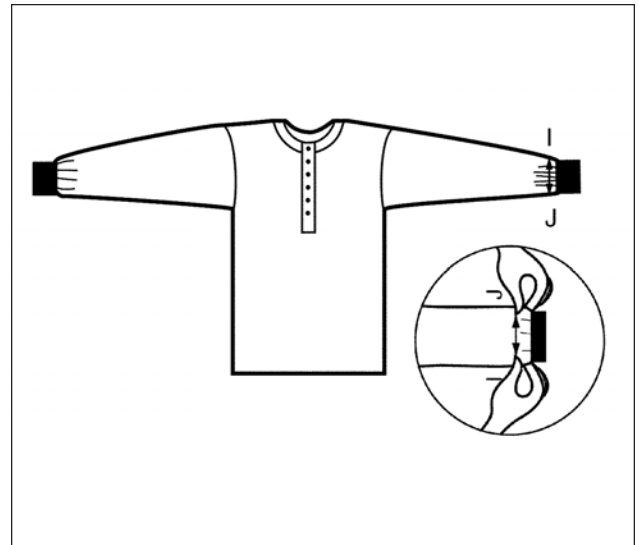


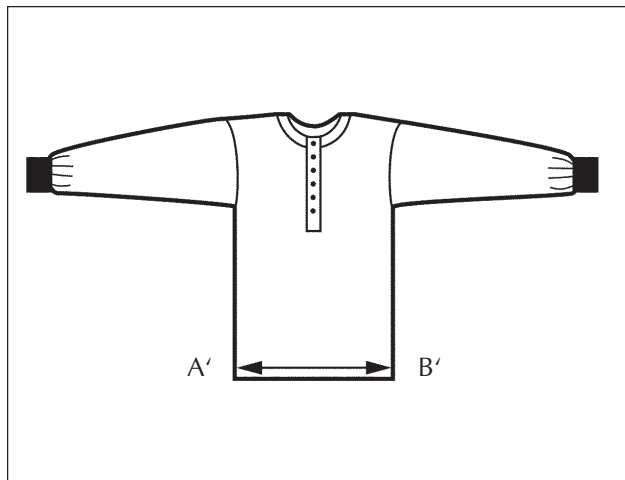
Figure 19
Example of
Wrist Circumference Measurement



Waist circumference:

Twice the distance across the bottom of the top (twice A' to B', Figure 20). If the bottom of the top has a rib cuff, the measurement is made where the bottom of the top is joined to the rib cuff, with the cuff stretched to permit a full measurement of the waist circumference.

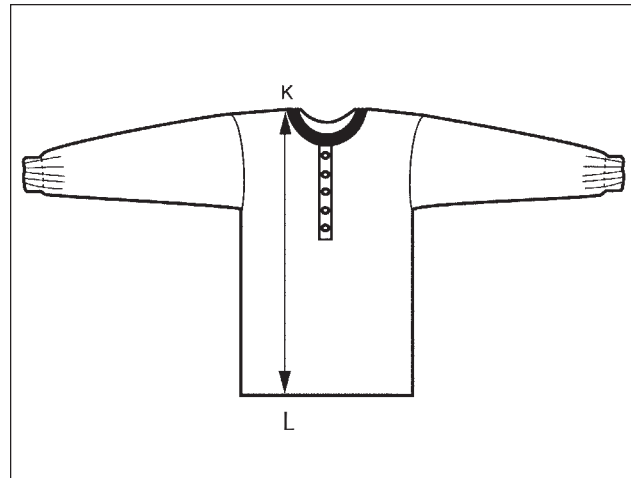
Figure 20
Example of
Waist Circumference Measurement



Length of the top (polo pyjamas):

The distance (K to L, Figure 21) from the point where the shoulder joins the collar or neck aperture to the bottom edge of the garment.

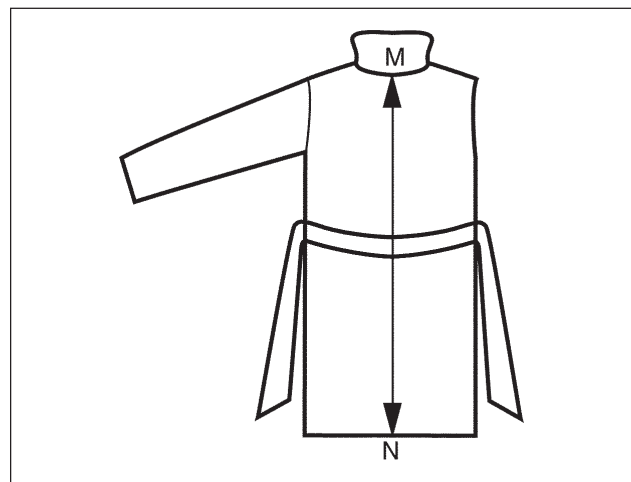
Figure 21
Example of
Length of the Top Measurement



Length of the garment (bath robe):

The distance (M to N, Figure 22) from the centre back at the point where the collar is attached to the body, to the bottom edge of the garment.

Figure 22
Example of
Length of the Garment Measurement



APPENDIX II RELATED REGULATIONS

Item 4, Part I of Schedule I to the Hazardous Products Act:

Products made in whole or in part of textile fibres, other than products included in items 5 and 13 of this Part and items 13, 28, 29 and 40 of Part II of this Schedule, that, when tested in accordance with method D1230-61, the *Standard Method of Test for Flammability of Clothing Textiles*, a standard of the American Society for Testing and Materials, have a time of flame spread of

- (a) 3,5 seconds or less, where the products do not have a raised fibre surface; or
- (b) 4 seconds or less, where the products have a raised fibre surface and exhibit ignition or fusion of their base fibres.

Item 5, Part I of Schedule I of the Hazardous Products Act:

“Children’s Sleepwear, other than products included in item 40 of Part II of the Schedule, in sizes up to and including size 14X that when tested in accordance with method D1230-61, the *Standard Method of Test for Flammability of Clothing Textiles*, a standard of the American Society for Testing and Materials, have a time of flame spread of 7 seconds or less.”

Children’s sleepwear that must comply with item 5 of Part I are exempted by item 40 of Part II. They consist of the following:

- sleepwear designed for hospital use,
- sleepwear for infants weighing up to 7 kg,
- polo pyjamas and
- sleepers.

Item 13, Part I of Schedule I to the Hazardous Products Act:

Products made in whole or in part of textile fibres and designed for use on a pillow or on a bed, cot, crib or other furniture designed to be used for sleeping that, when tested in accordance with method D1230-61, the *Standard Method of Test for Flammability of Clothing Textiles*, a standard of the American Society for Testing and Materials, have a time of flame spread of

- (a) 7 seconds or less, where the products do not have a raised fibre surface; or
- (b) 7 seconds or less, where the products have a raised fibre surface and exhibit ignition or fusion of their base fibres.

Item 40, Part II of Schedule I to the *Hazardous Products Act* and the *Hazardous Products (Children's Sleepwear) Regulations*:

"Children's nightgowns, nightshirts, dressing gowns, bathrobes, housecoats, robes, pyjamas and baby-doll pyjamas in sizes up to and including 14X other than

- (a) those designed for hospital use;
- (b) those designed for infants up to 7 kg;
- (c) polo pyjamas; and
- (d) sleepers."

The garments cited in item 40 of Part II must comply with the stringent flame resistance requirements defined in the HP(CS)R. The Canadian test is based on current American criteria and testing methods (DOC FF 5-74, Standard for the Flammability of Children's Sleepwear: sizes 7 through 14, U.S. Code of Federal Regulations).

Textile Labelling Act and Textile Labelling and Advertising Regulations:

The purpose of the *Textile Labelling Act* and the *Textile Labelling and Advertising Regulations* is to:

- protect consumers against misrepresentation in the labelling and advertising of textile fibre products;
- enable consumers to choose textiles on the basis of fibre content.

The *Act* prohibits a dealer from selling, importing into Canada or advertising consumer textile articles unless they are labelled with fibre content and dealer identification in accordance with the *Act* and *Regulations*.

The *Textile Labelling Act* is administered by Industry Canada.

Upholstered Stuffed Articles:

In the provinces of Quebec, Ontario and Manitoba, all fillings or stuffing are regulated. Manufacturers of upholstered and stuffed articles whose goods are destined for sale in these provinces should contact the respective provincial government.