



A Member of the Hydro-Québec Group

Ready, for the challenge of the Kyoto protocol

POWER

in every turn !

TM4 designs and supplies custom power dense and highly efficient electrodynamic solutions for the transportation and distributed power generation industries.

TM4 was founded in 1998 with the initial objective of bringing the electric propulsion system technology developed by Hydro-Québec and IREQ to an industrial level. Since then, other systems and services have been added to serve the distributed power generation industry as well.

Technology, Applications and Expertise

TM4 has developed and patented several innovative technologies in electro-dynamics, control logics and power electronics. These technologies make it possible for us to offer you products with exceptional performance.

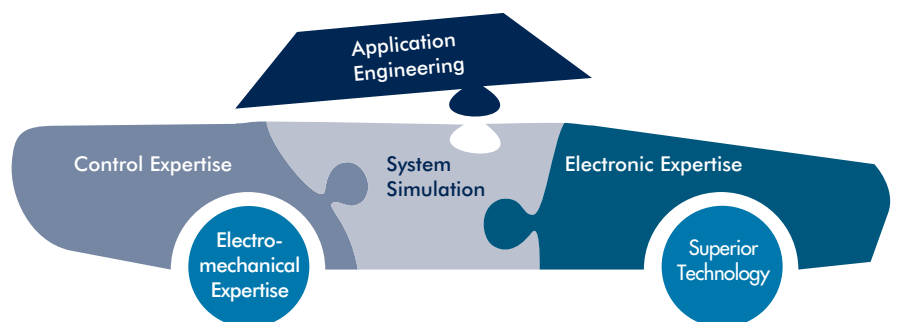
TM4 also has the expertise and know-how to provide you with the optimal solution for the application you are considering, because each application has its own special features, operating conditions, industrial standards and performance requirements. Whether designing a single component or a complete optimized solution, TM4 puts its complete know-how to work for you.

On request, our team of specialists can assist you in determining the performance requirements of your system. In addition, we ensure the coordination and interface between the various components of a system, in order to provide you with a complete solution.



www.tm4.com

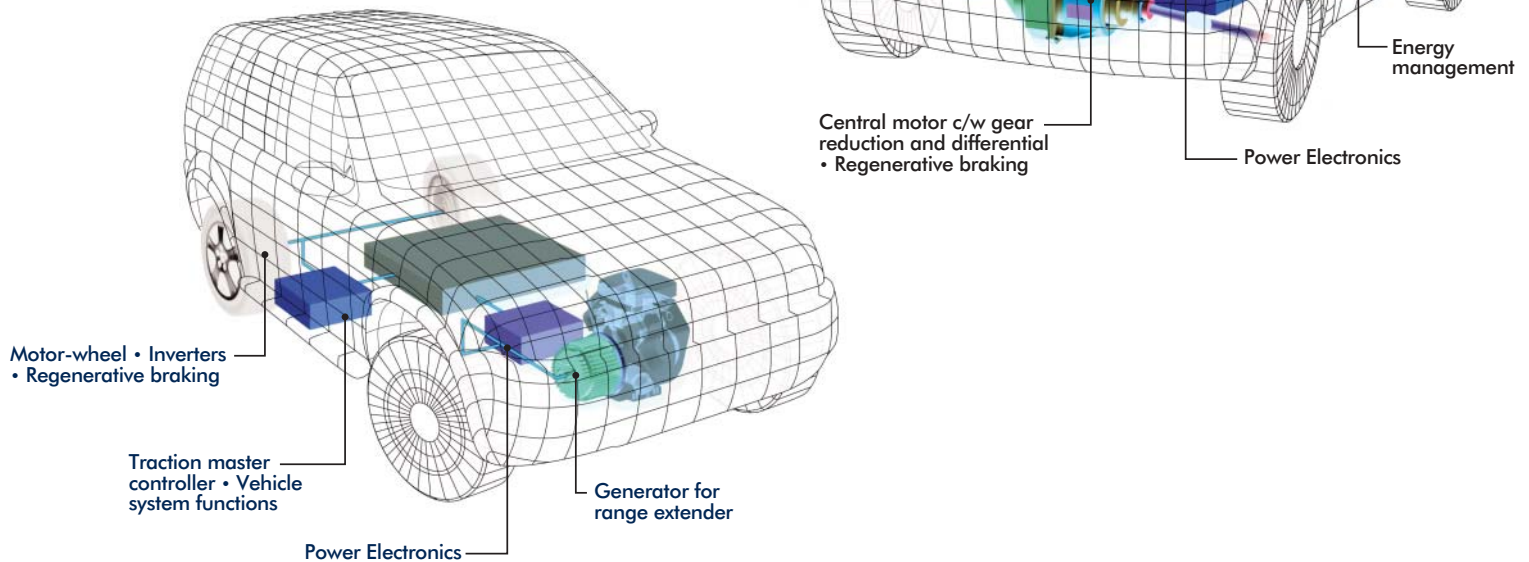
Complete optimized solution



TM4 Transport

TM4 Transport addresses the manufacturers of the transportation sector and serves mainly organizations concerned with:

- Special Electric or Hybrid Vehicles
- Electric or Hybrid Vehicles for the general public
- On-board generator sets
- Miscellaneous vehicles: marine, military, lift trucks, golf carts, tractors, public transport (shuttle, light train, etc.)



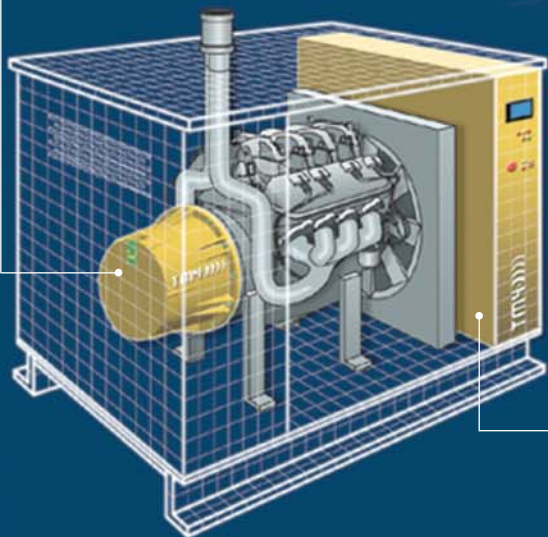
Products and Services

- Central electric motor drivetrains, with or without speed-reduction gear - differential unit
- In-wheel or hub electric motor drivetrains
- Main power generators for hybrid vehicles
- Alternators - vehicle starters
- Electronic converter and inverter systems
- Electronic vehicle management systems (VMS)
- Electronic management systems for electric or hybrid vehicle batteries
- Services associated with Engineering and Application Expertise

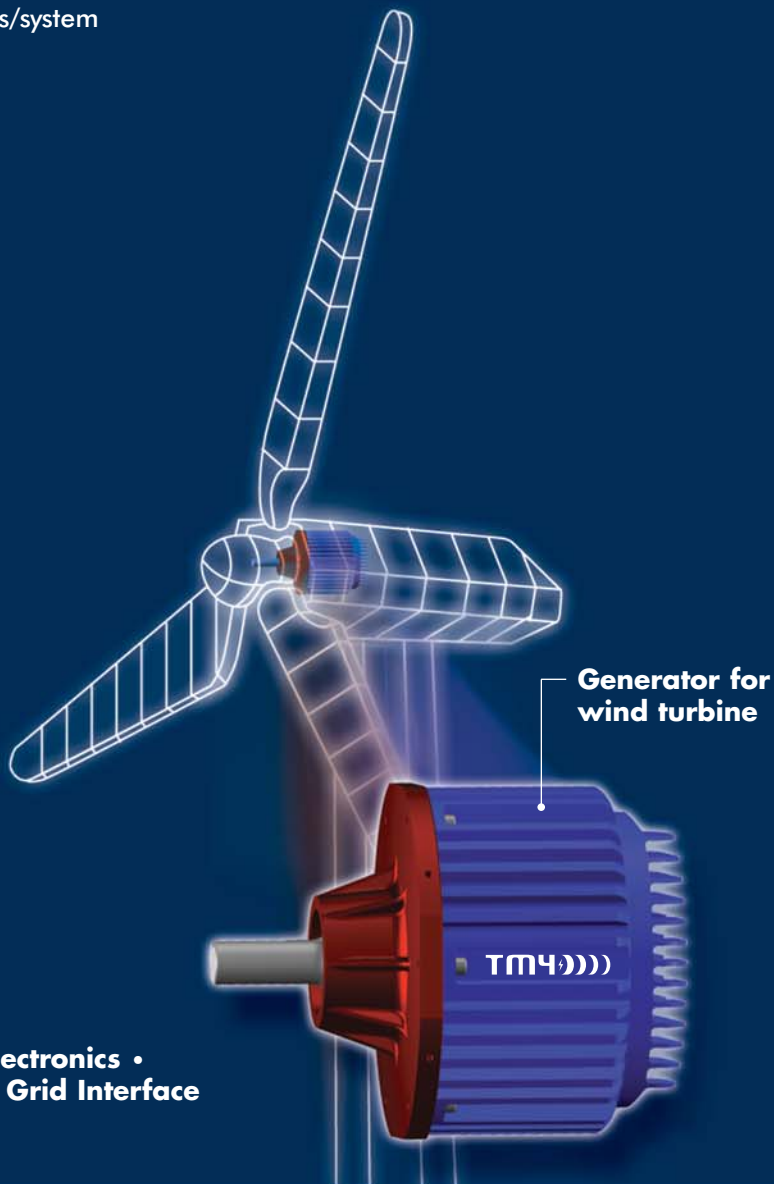
Our partners are manufacturers/system integrators of:

- generator sets
- wind turbines
- small or mini hydro turbines

Generator for Gen-Set



Power Electronics • Control • Grid Interface



Products and Services

- High-efficiency and variable speed generator for distributed power systems
- Control system including power converters to regulate power output
- Services associated with Engineering and Application Expertise