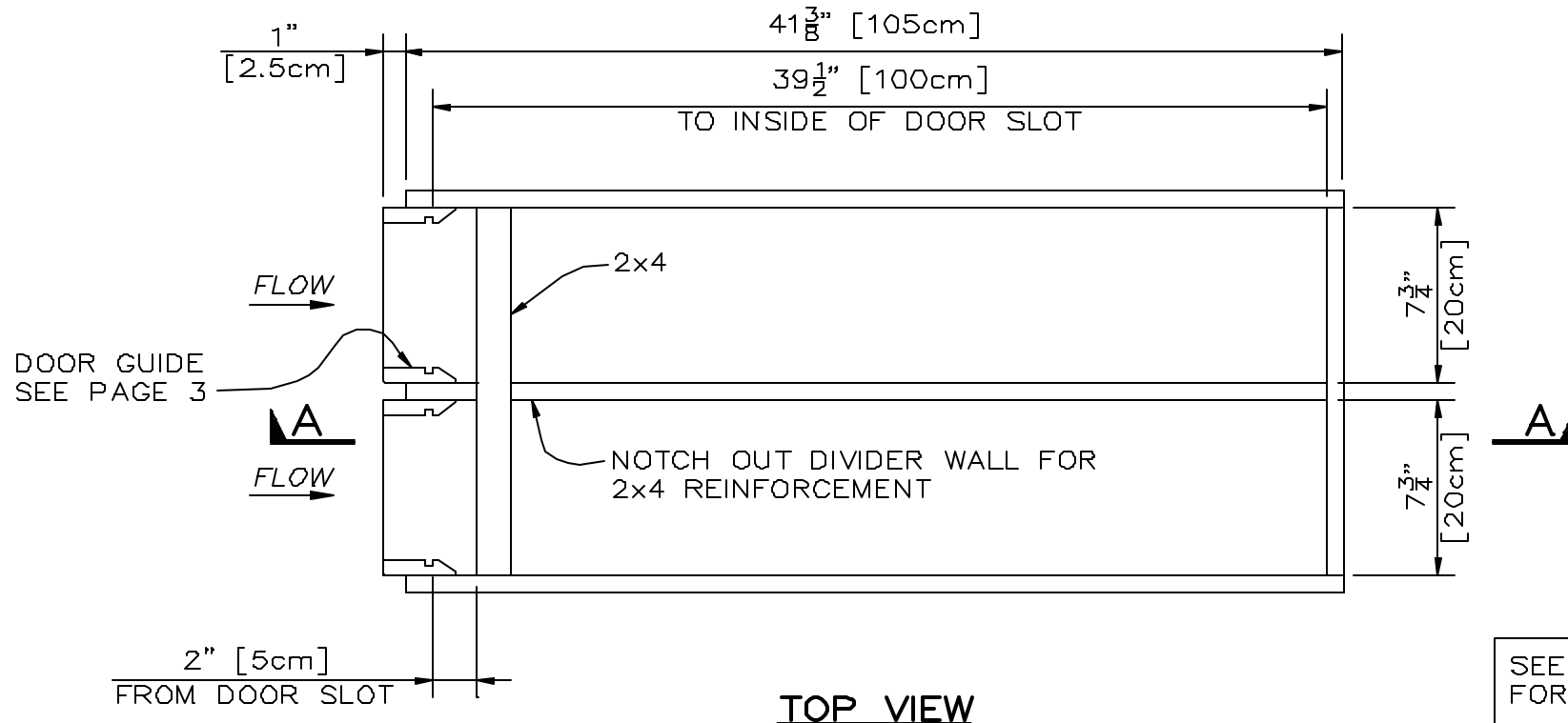
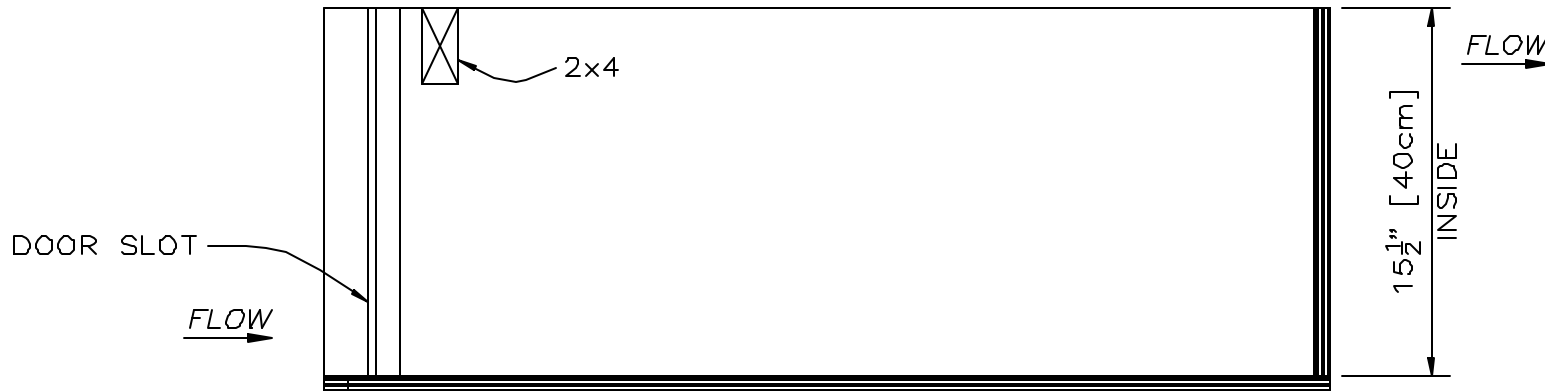


S.S. = STAINLESS STEEL

DOUBLE RECOVERY BOX



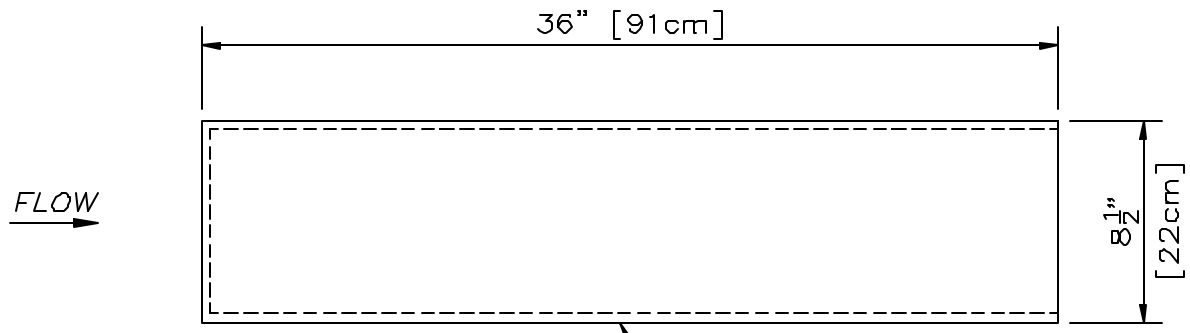
TOP VIEW



SECTION A-A

USE 3/4" [1.9cm] MARINE GRADE
OR CONCRETE FORM PLYWOOD
WITH EDGES COATED
UNLESS OTHERWISE SPECIFIED

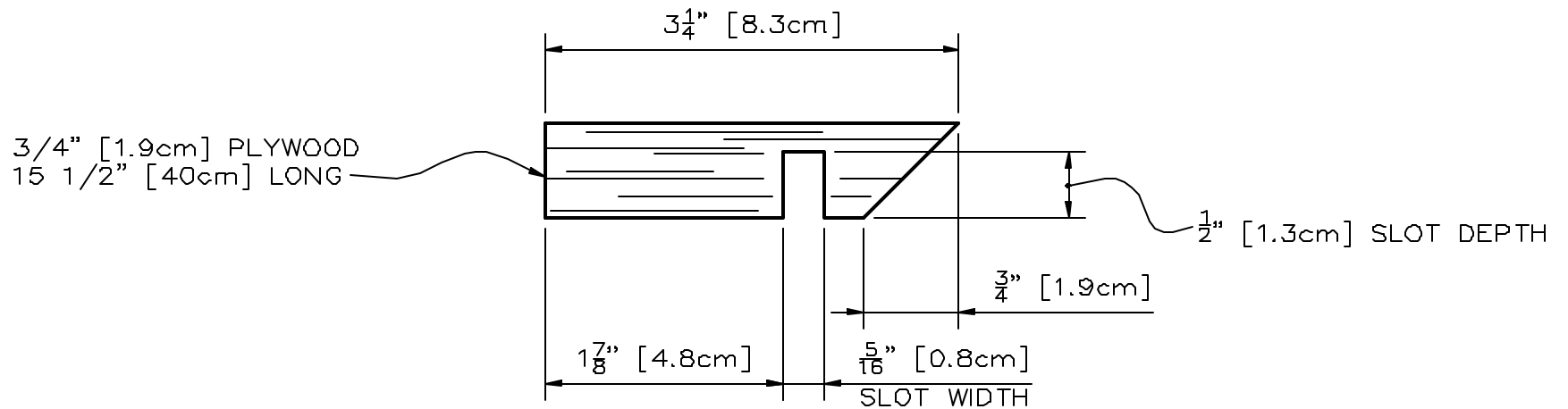
BOX CONSTRUCTION



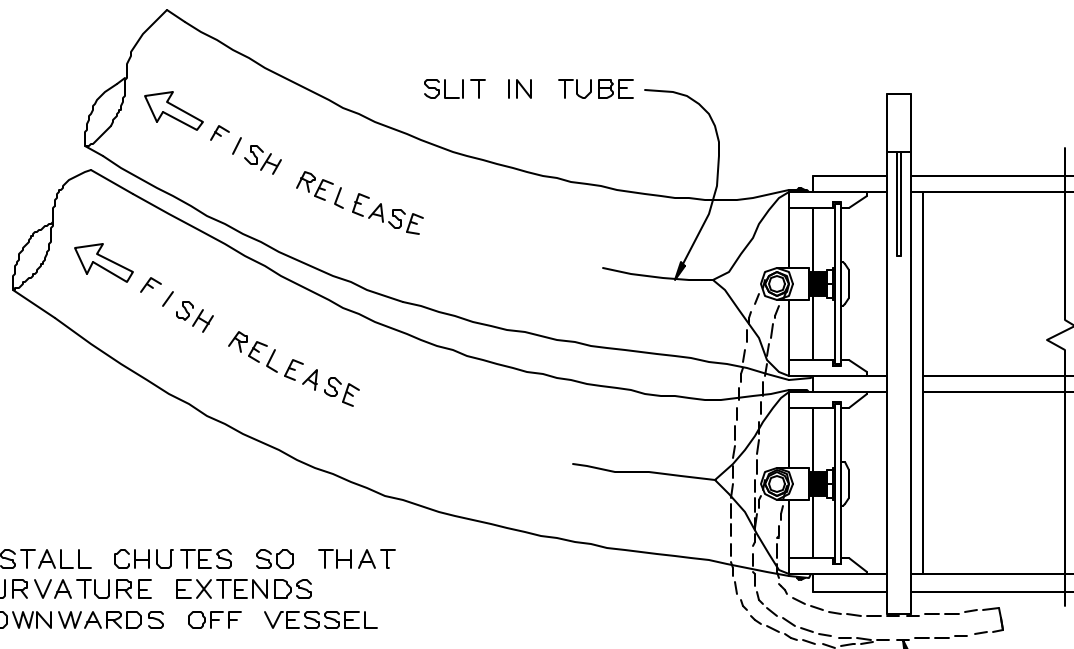
3/4" [1.9cm] PLYWOOD WITH
3/8" [1cm] RABBET, 3 SIDES AS SHOWN

TOP VIEW

LID - 2 REQUIRED



DOOR GUIDE - 4 REQUIRED



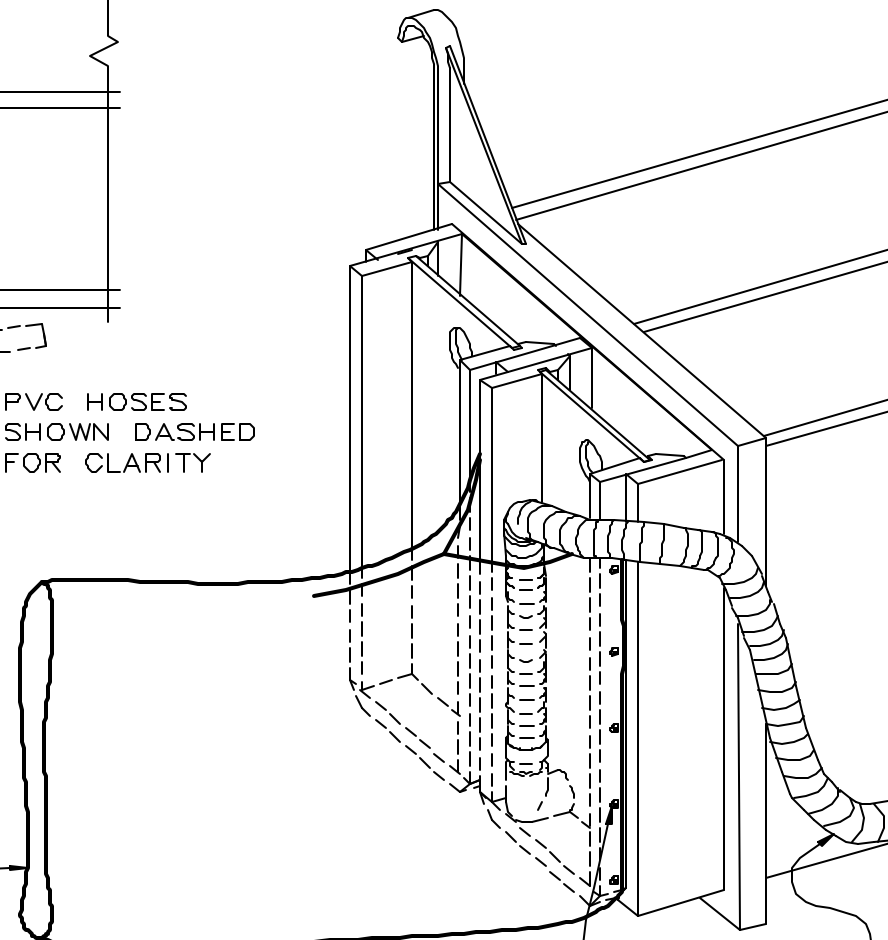
INSTALL CHUTES SO THAT
CURVATURE EXTENDS
DOWNWARDS OFF VESSEL

TOP VIEW

PVC HOSES
SHOWN DASHED
FOR CLARITY

SECOND CHUTE AND
HOSE NOT SHOWN

INNER TUBE WITH
SLIT FOR PVC HOSE AT
ENTRY END

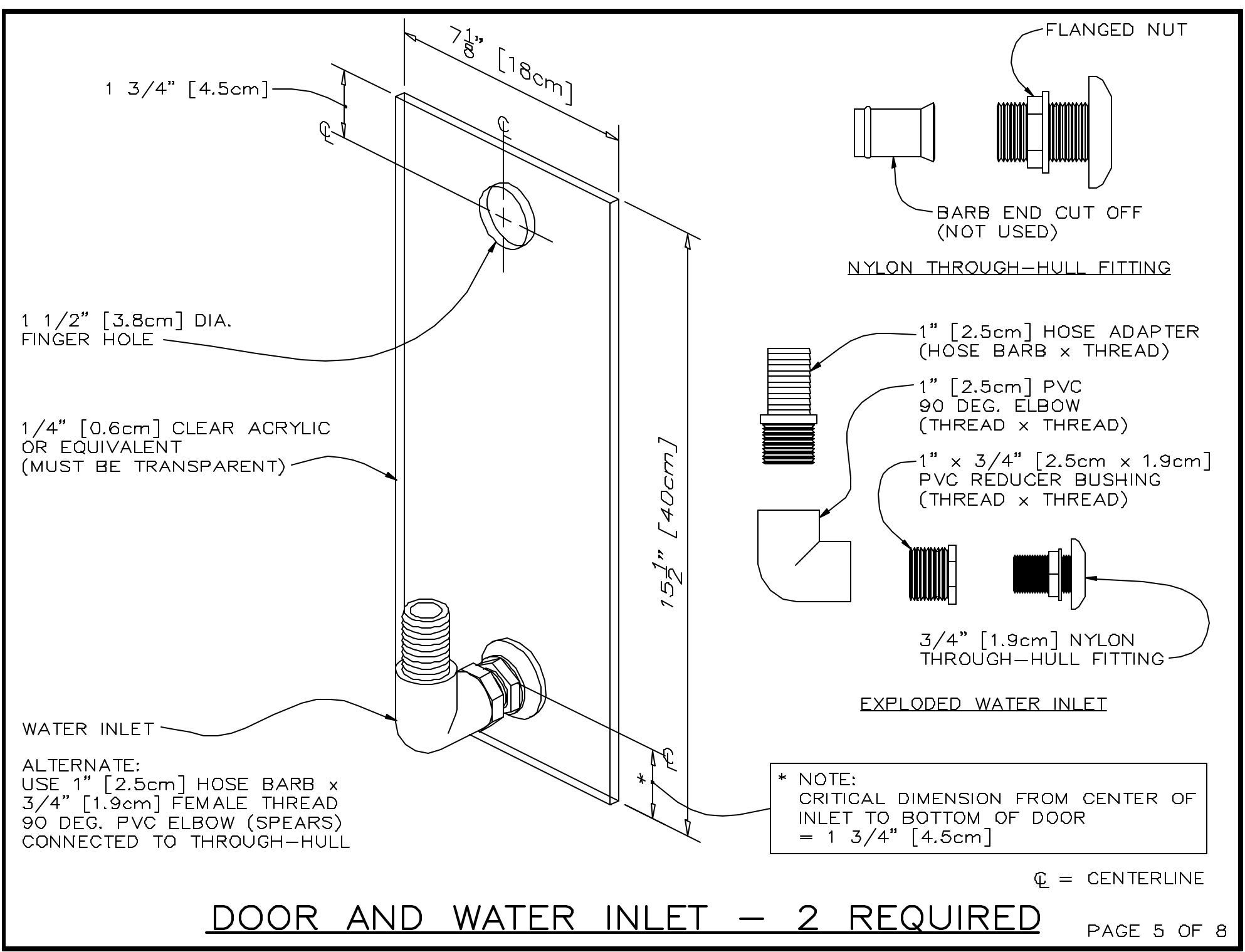


PVC HOSE

S.S. SCREWS

USE TRUCK INNER TUBE
1000-20" SIZE OR EQUIVALENT
CUT LENGTH TO SUIT VESSEL
SCREW TO DOOR GUIDES (INCLUDING BOTTOM)
WHERE THEY EXTEND FROM BOX

RELEASE CHUTE



1 3/4" [4.5cm]

7 1/8" [18cm]

1 1/2" [3.8cm] DIA. FINGER HOLE

1/4" [0.6cm] CLEAR ACRYLIC OR EQUIVALENT (MUST BE TRANSPARENT)

WATER INLET

ALTERNATE:
USE 1" [2.5cm] HOSE BARB x 3/4" [1.9cm] FEMALE THREAD 90 DEG. PVC ELBOW (SPEARS) CONNECTED TO THROUGH-HULL

*

* NOTE:
CRITICAL DIMENSION FROM CENTER OF INLET TO BOTTOM OF DOOR = 1 3/4" [4.5cm]

FLANGED NUT

BARB END CUT OFF (NOT USED)

NYLON THROUGH-HULL FITTING

1" [2.5cm] HOSE ADAPTER (HOSE BARB x THREAD)

1" [2.5cm] PVC 90 DEG. ELBOW (THREAD x THREAD)

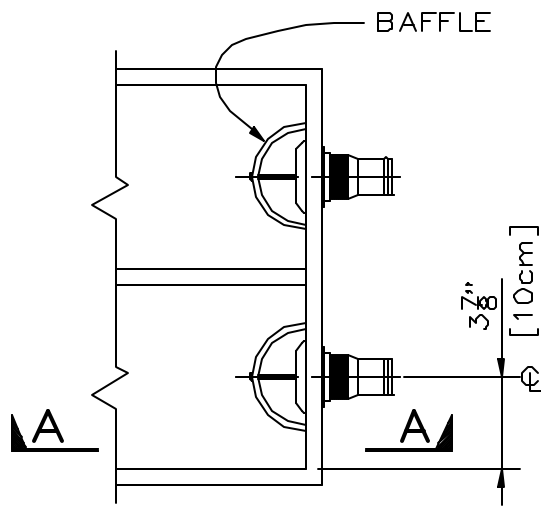
1" x 3/4" [2.5cm x 1.9cm] PVC REDUCER BUSHING (THREAD x THREAD)

3/4" [1.9cm] NYLON THROUGH-HULL FITTING

EXPLODED WATER INLET

☉ = CENTERLINE

DOOR AND WATER INLET - 2 REQUIRED

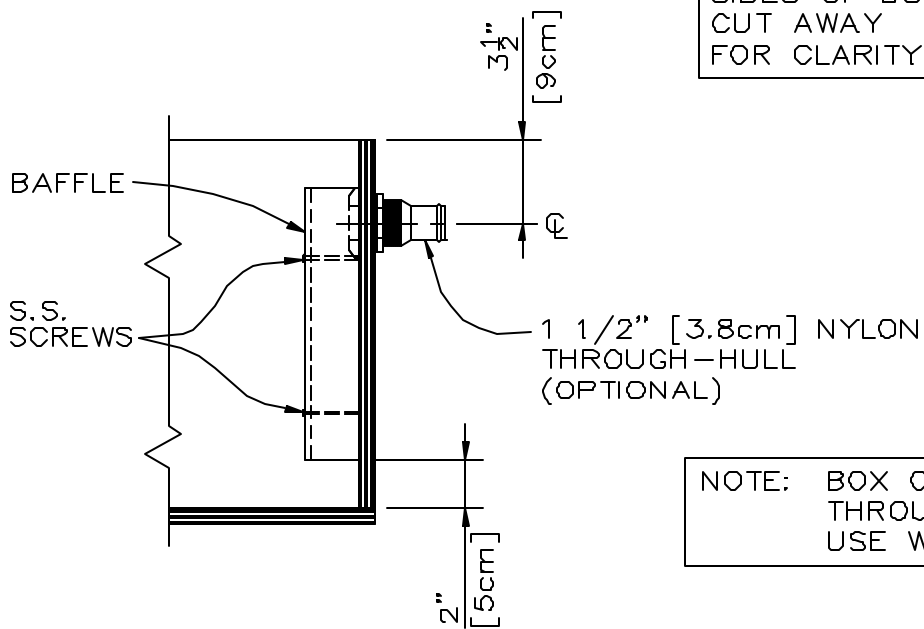
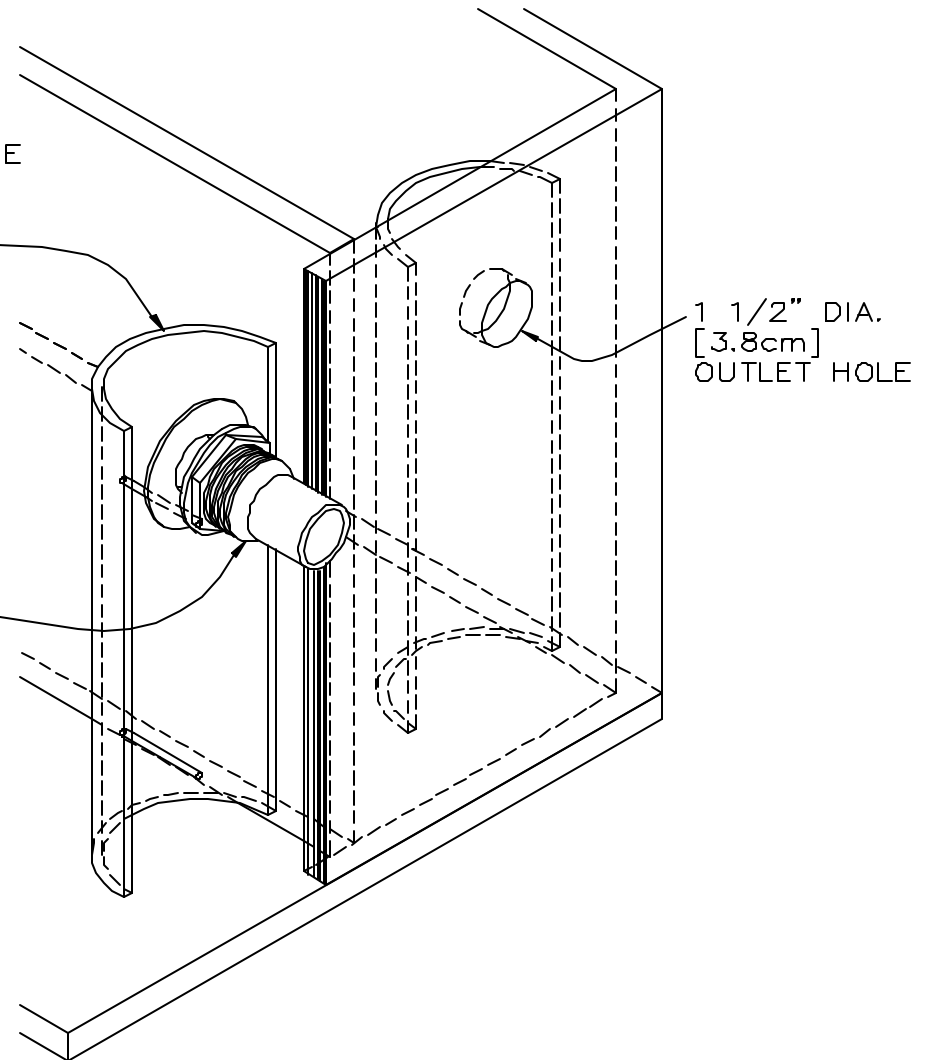


TOP VIEW

BAFFLE
 1/2 SECTION OF
 4" [10cm] PVC PIPE
 12" [30cm] LONG
 FASTENED TO BOX
 WITH S.S. SCREWS

OPTIONAL
 THROUGH-HULL
 ADAPTER

SIDES OF BOX
 CUT AWAY
 FOR CLARITY

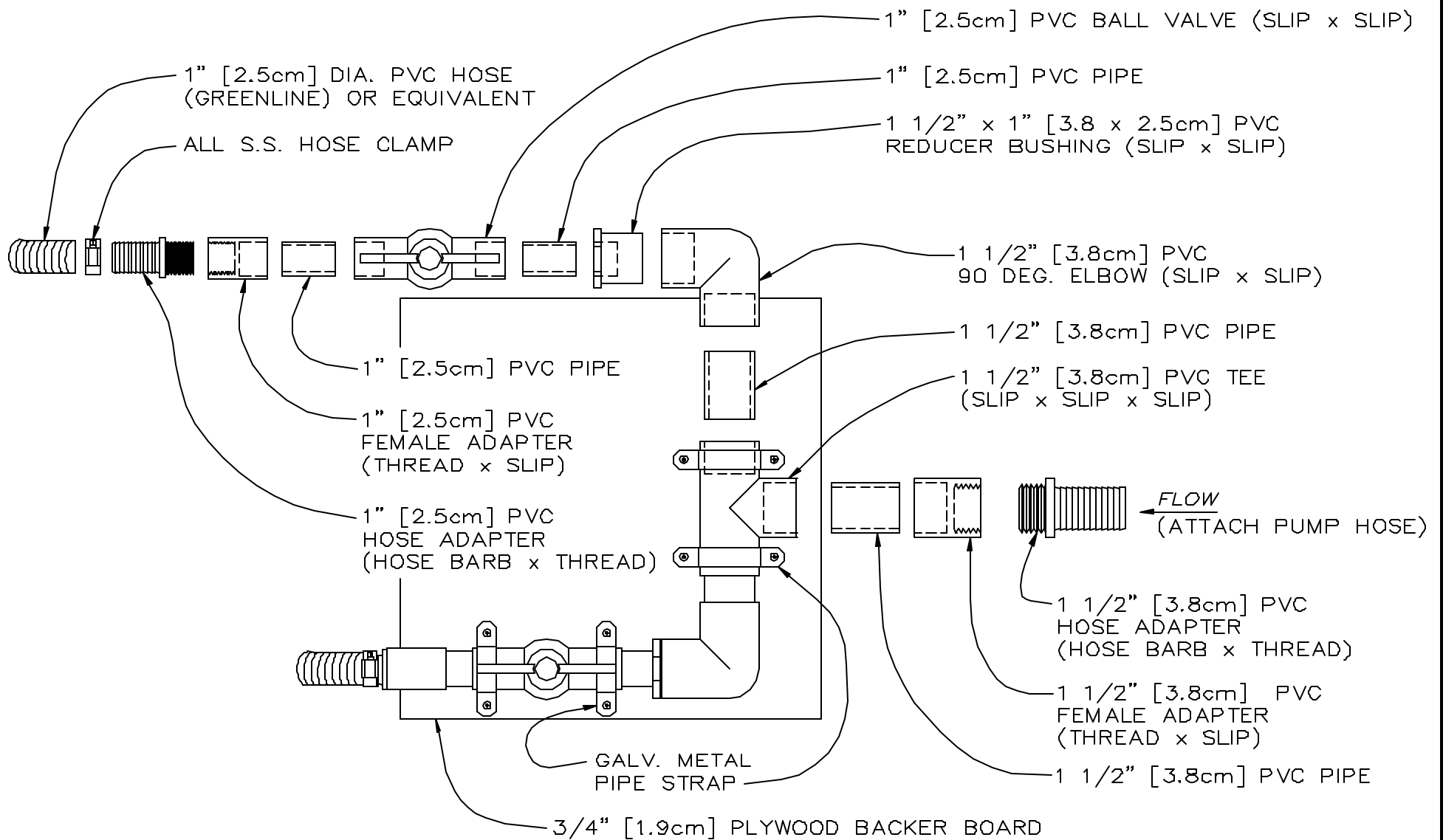


SECTION A-A

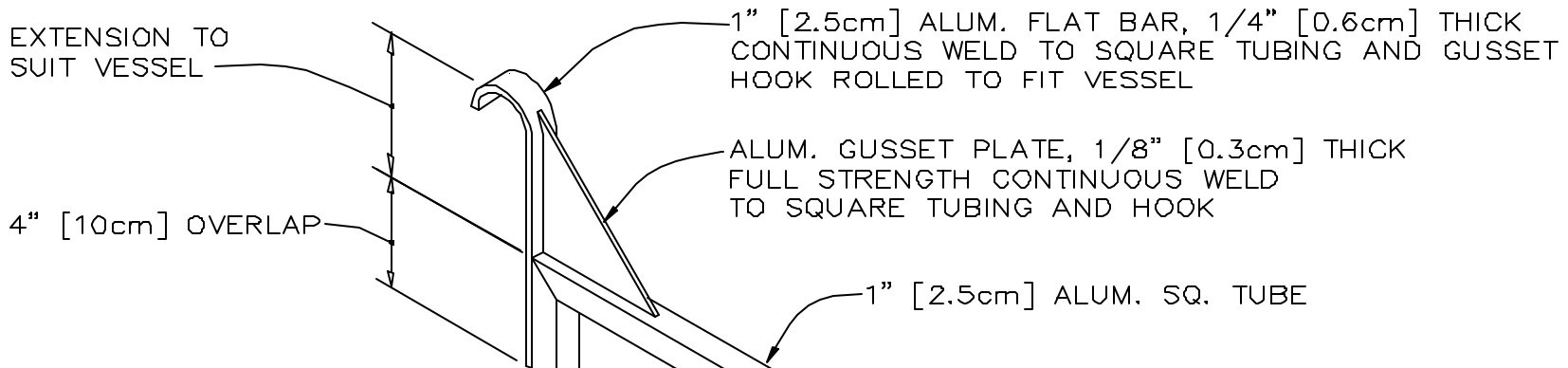
NOTE: BOX OUTLET SHOWN WITH OPTIONAL
 THROUGH-HULL ADAPTERS FOR
 USE WITH DRAIN HOSES

S.S. = STAINLESS STEEL
 \varnothing = CENTERLINE

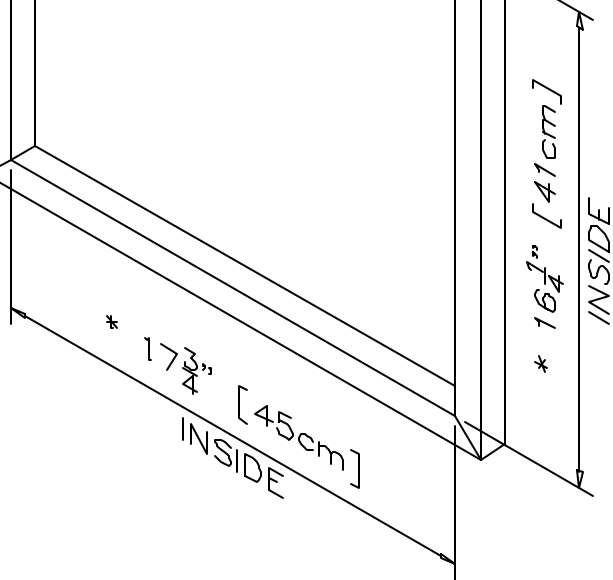
BOX OUTLET



VALVE ASSEMBLY



NOTE:
HOOK AND GUSSET SHOWN ARE
FOR OUTSIDE RAIL APPLICATION
ON DECK APPLICATION DOES NOT
REQUIRE HOOK OR GUSSET PLATE



* NOTE:
DIMENSIONS SHOWN ARE NOMINAL
BRACKETS SHOULD FIT SNUGLY
AROUND FINISHED RECOVERY BOX

ALUMINUM BRACKETS – 2 REQUIRED