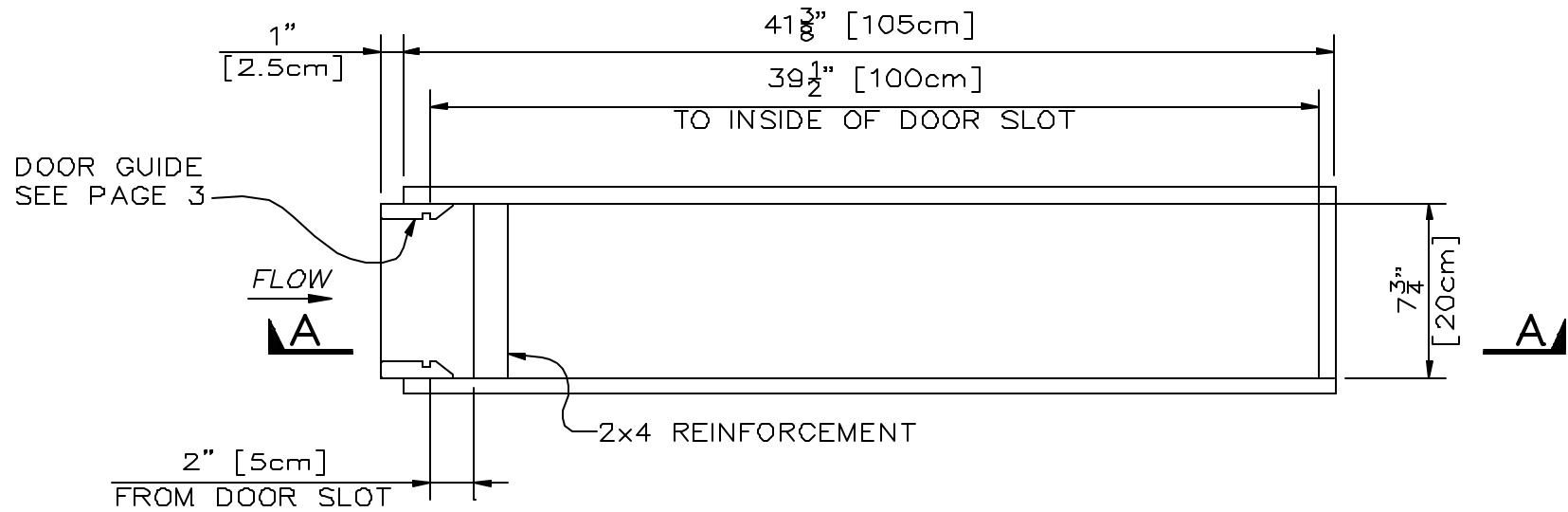


RUBBER RELEASE CHUTE
 NOT SHOWN FOR CLARITY
 SEE PAGE 4 FOR DETAILS

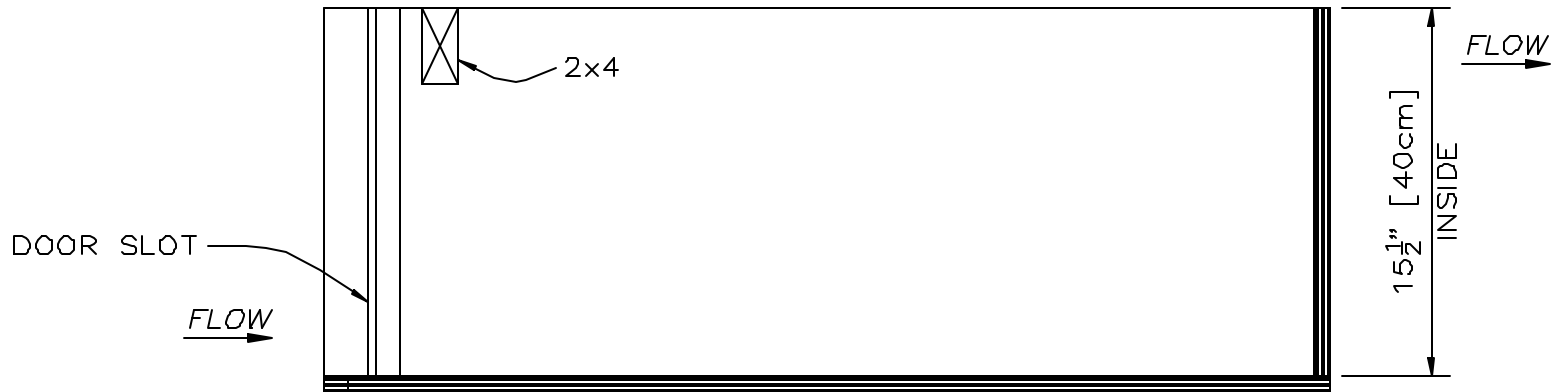
S.S. = STAINLESS STEEL

SINGLE RECOVERY BOX



TOP VIEW

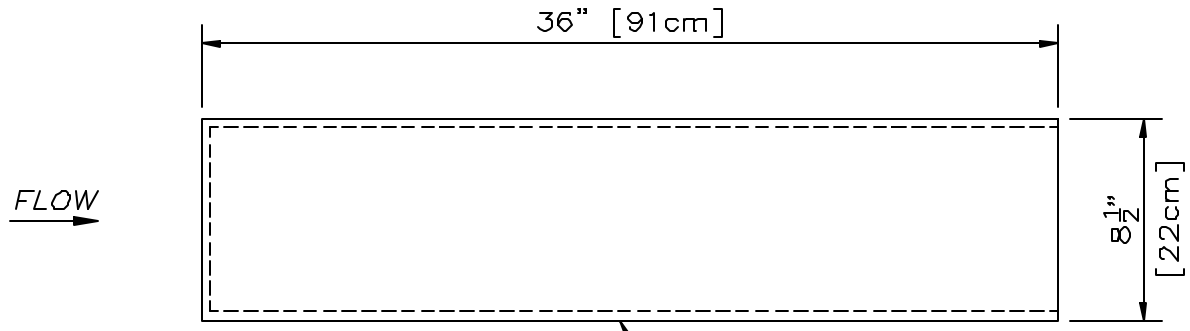
SEE PAGE 3
FOR LID



SECTION A-A

USE 3/4" [1.9cm] MARINE GRADE
OR CONCRETE FORM PLYWOOD
WITH EDGES COATED
UNLESS OTHERWISE SPECIFIED

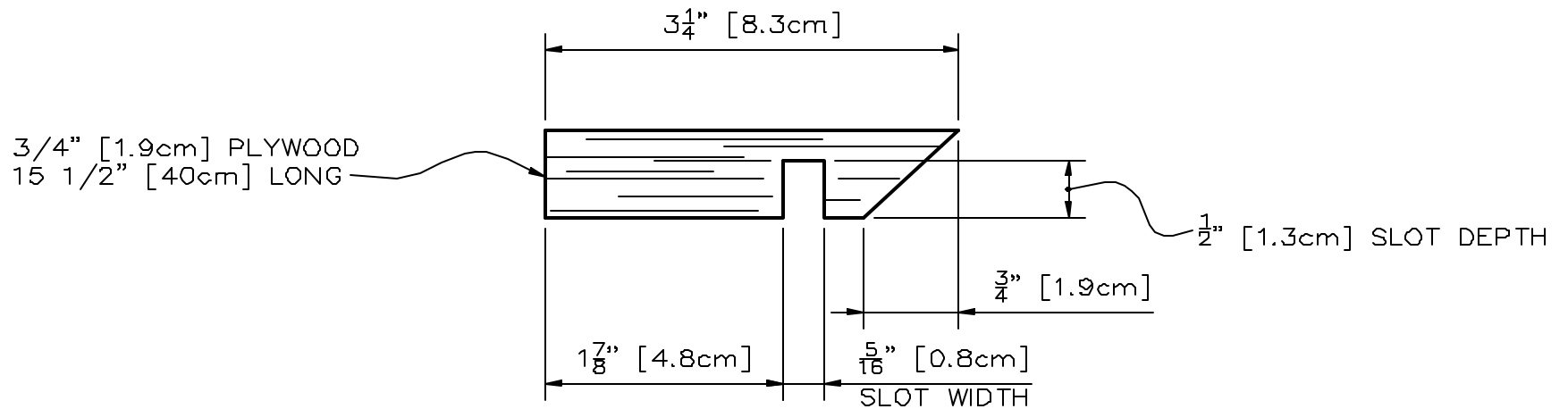
BOX CONSTRUCTION



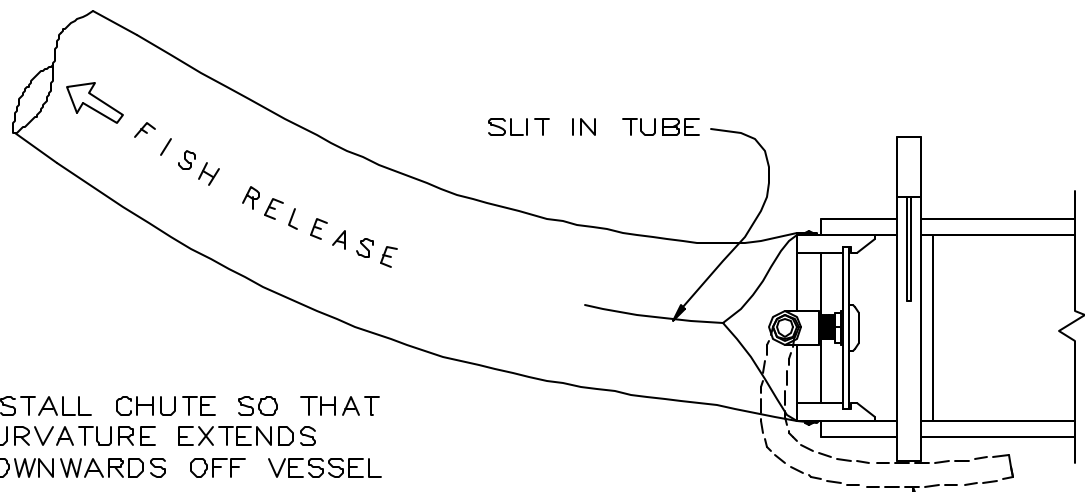
3/4" [1.9cm] PLYWOOD WITH
3/8" [1cm] RABBET, 3 SIDES AS SHOWN

TOP VIEW

LID



DOOR GUIDE – 2 REQUIRED

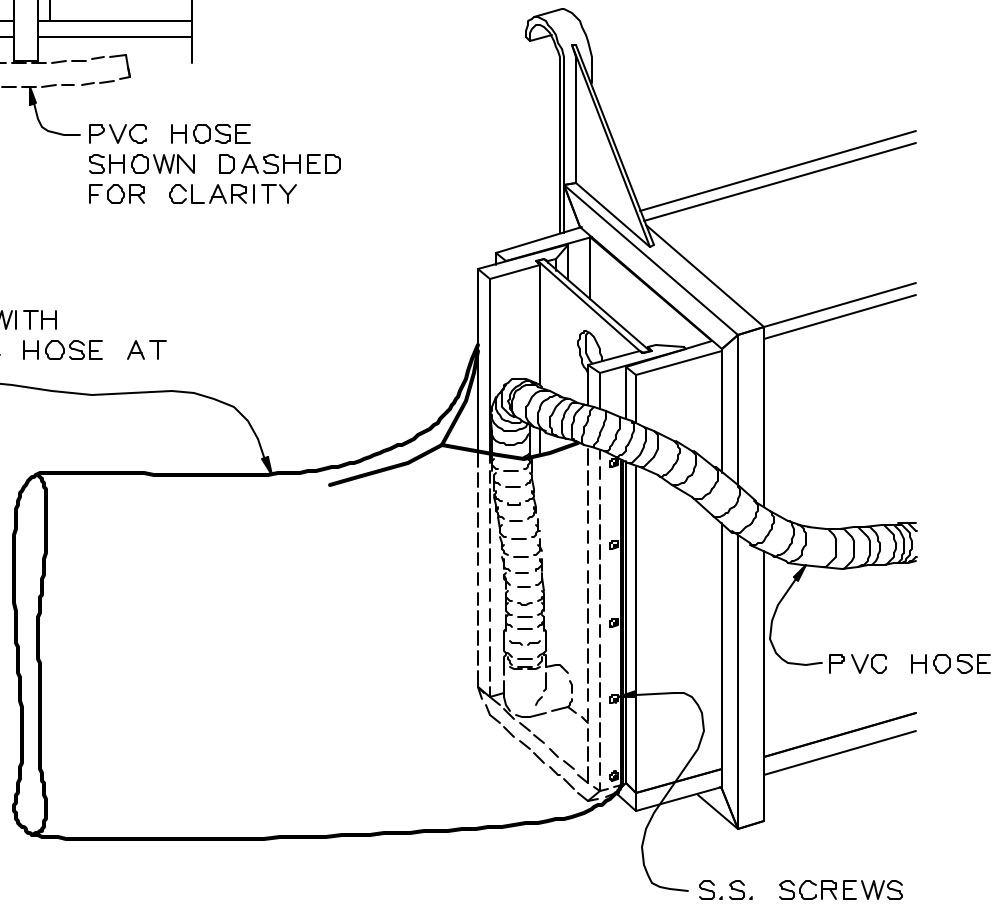


INSTALL CHUTE SO THAT CURVATURE EXTENDS DOWNWARDS OFF VESSEL

TOP VIEW

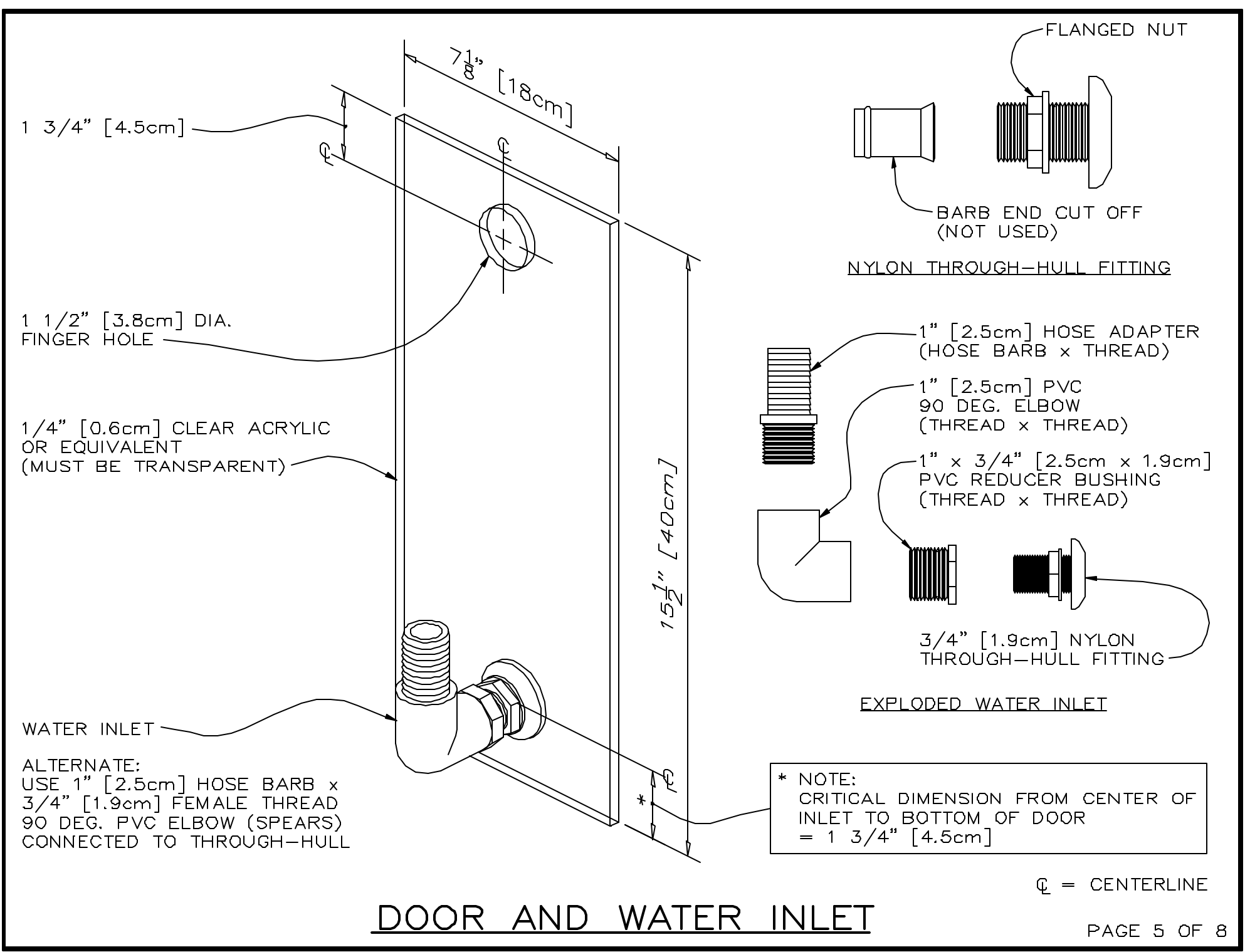
PVC HOSE SHOWN DASHED FOR CLARITY

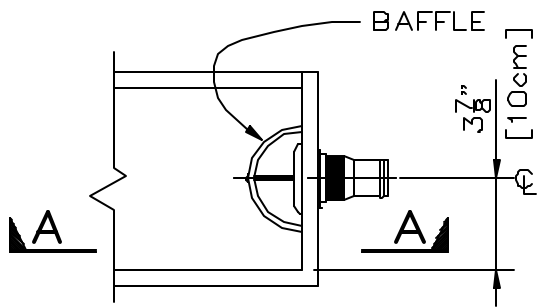
INNER TUBE WITH SLIT FOR PVC HOSE AT ENTRY END



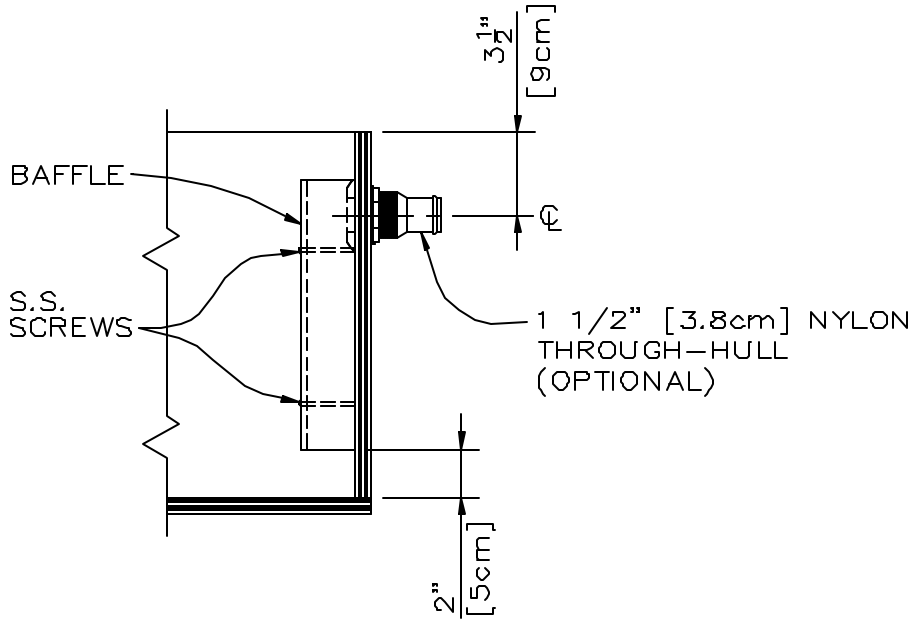
USE TRUCK INNER TUBE 1000-20" SIZE OR EQUIVALENT CUT LENGTH TO SUIT VESSEL SCREW TO DOOR GUIDES (INCLUDING BOTTOM) WHERE THEY EXTEND FROM BOX

RELEASE CHUTE

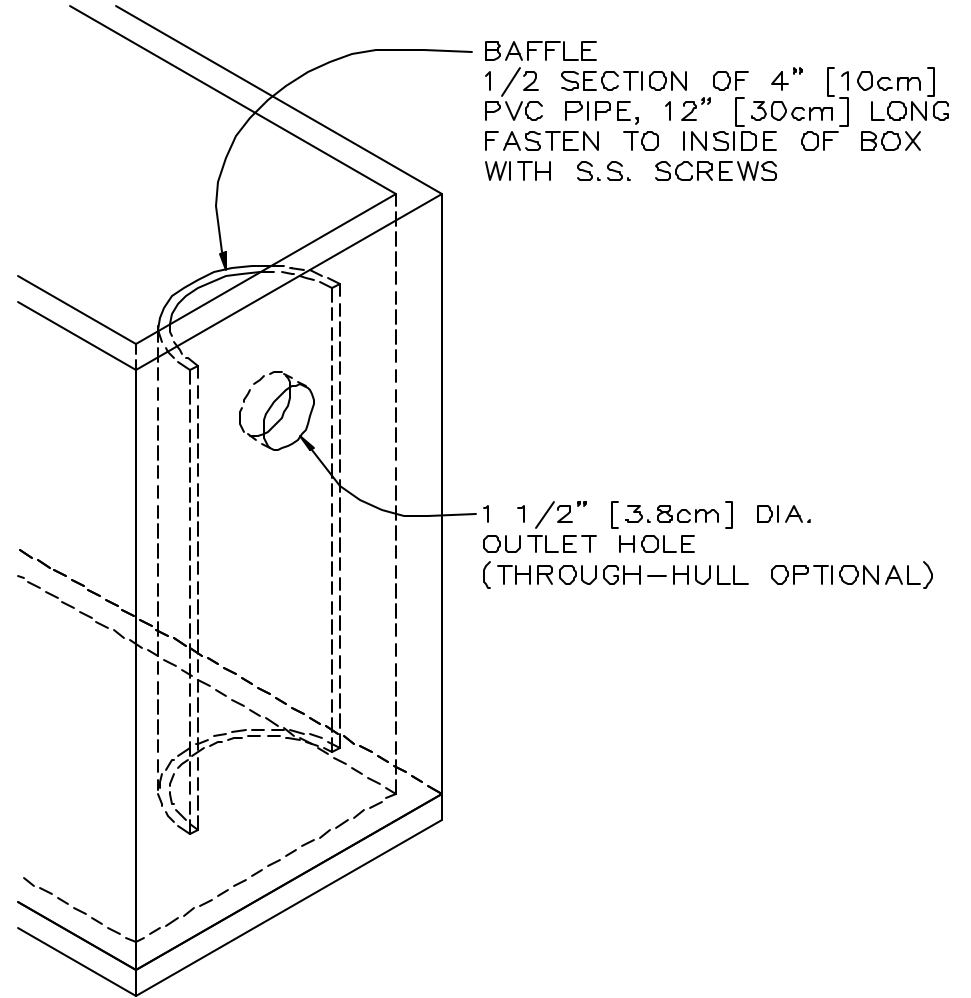




TOP VIEW



SECTION A-A



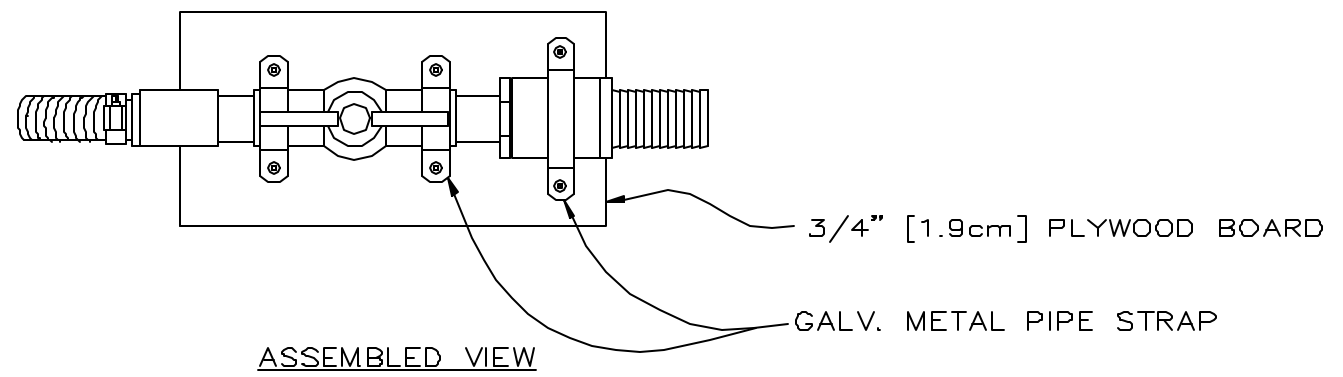
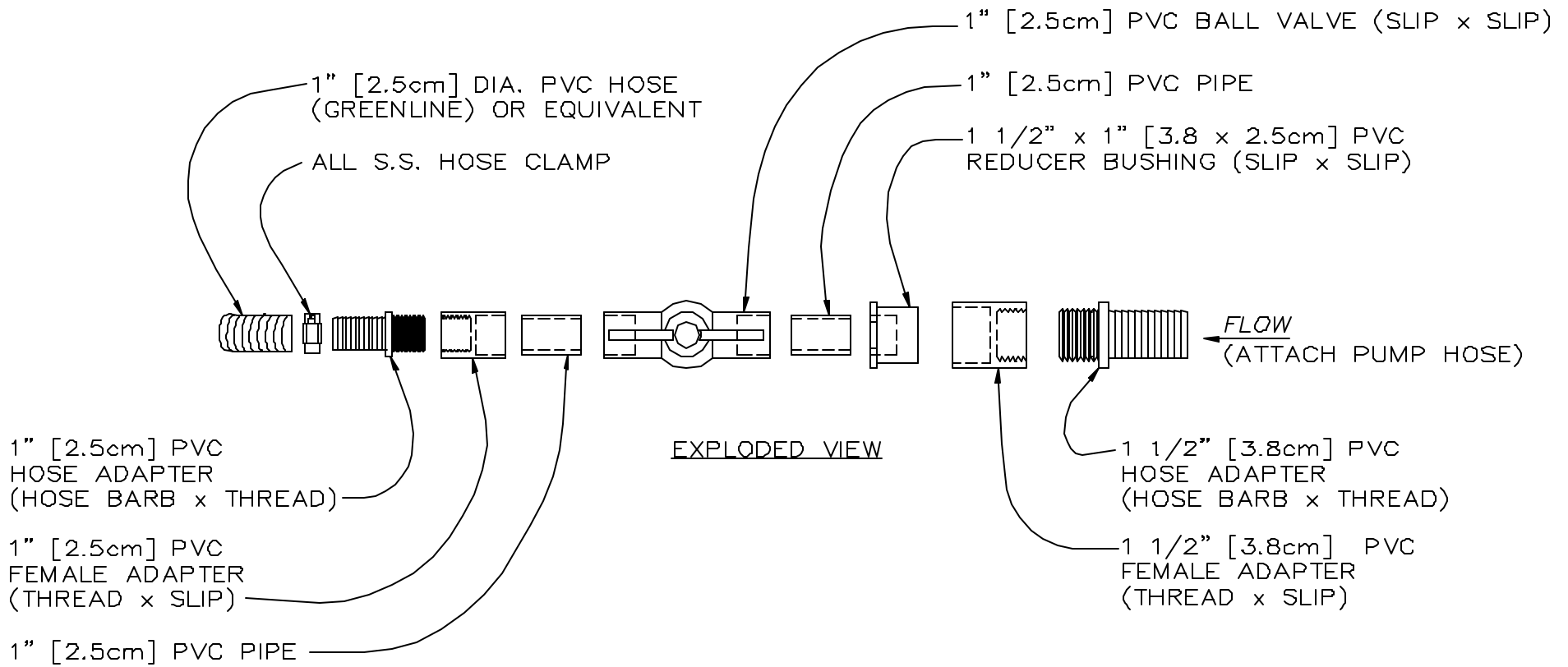
BAFFLE
1/2 SECTION OF 4" [10cm]
PVC PIPE, 12" [30cm] LONG
FASTEN TO INSIDE OF BOX
WITH S.S. SCREWS

1 1/2" [3.8cm] DIA.
OUTLET HOLE
(THROUGH-HULL OPTIONAL)

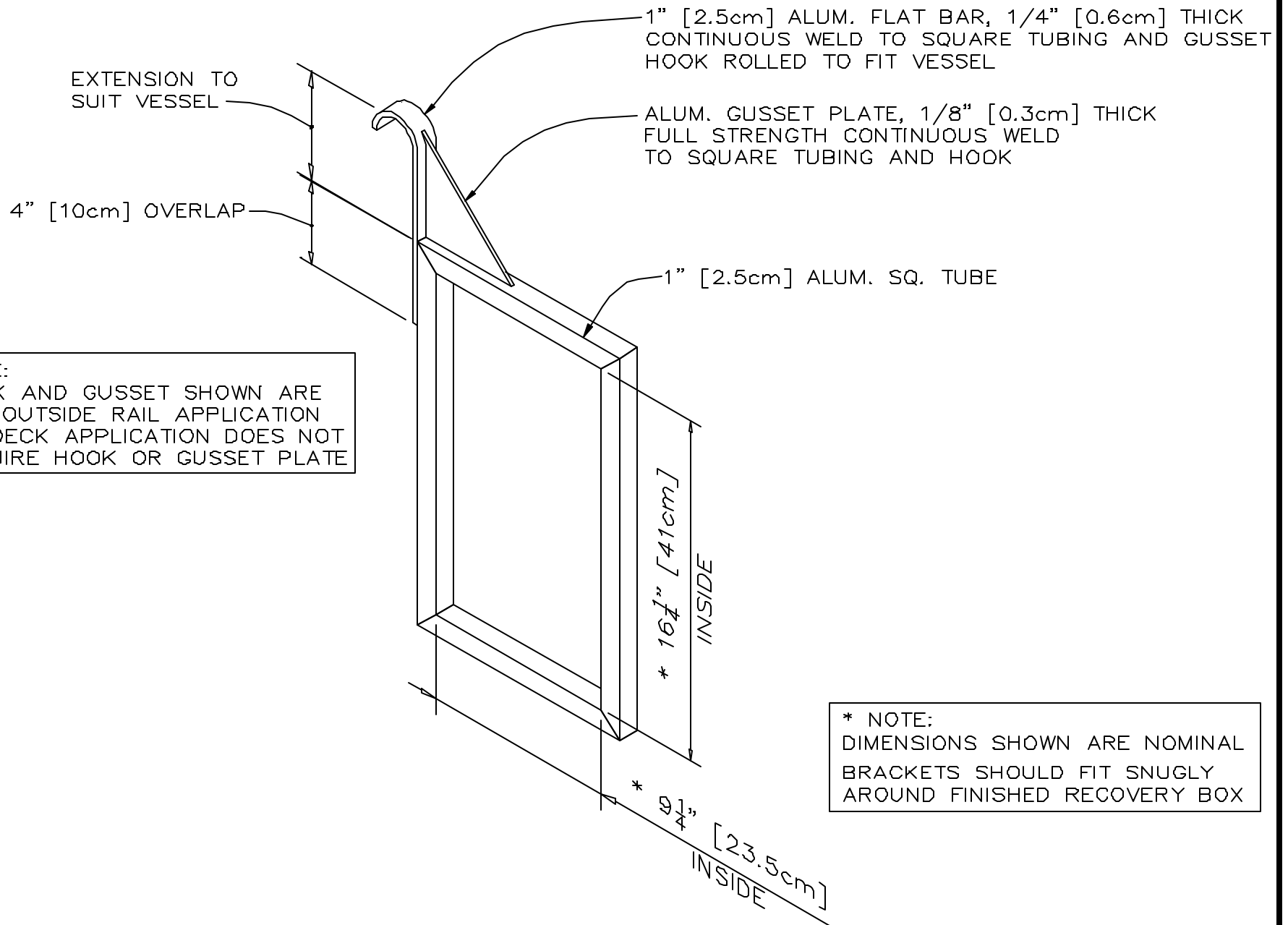
NOTE: BOX OUTLET SHOWN WITH OPTIONAL THROUGH-HULL ADAPTER FOR USE WITH DRAIN HOSE

S.S. = STAINLESS STEEL
⌀ = CENTERLINE

BOX OUTLET



VALVE ASSEMBLY



NOTE:
HOOK AND GUSSET SHOWN ARE
FOR OUTSIDE RAIL APPLICATION
ON DECK APPLICATION DOES NOT
REQUIRE HOOK OR GUSSET PLATE

* NOTE:
DIMENSIONS SHOWN ARE NOMINAL
BRACKETS SHOULD FIT SNUGLY
AROUND FINISHED RECOVERY BOX

ALUMINUM BRACKETS — 2 REQUIRED