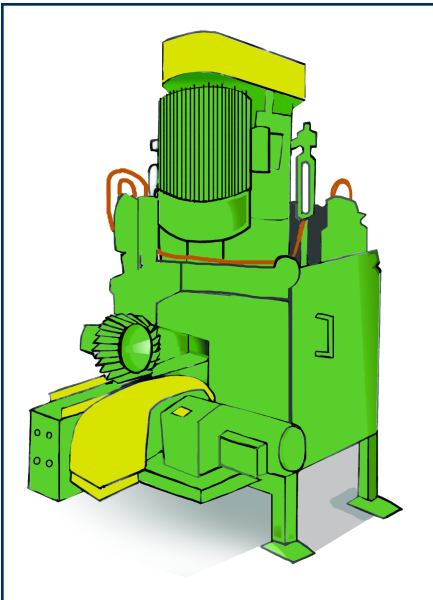


HAZARD ALERT

INTERNAL INJURIES FROM EJECTED LUMBER LEAD TO FATALITY



A sawmill superintendent was struck by a piece of lumber while he was standing at the end of a re-saw line.

The mill superintendent was examining the wood coming out of the re-saw when a 16-foot piece of lumber jammed in the machine. Suddenly the piece of lumber flew out, struck the man in the abdomen and knocked him back 5 feet. He got back up, assured those around him that he was fine, and returned to his office. He went home early that evening but later that night he went to the hospital where, following emergency surgery for internal bleeding, he died.

Recommended Preventive Action

- Provide adequate guarding along conveyors from edger to re-saw and at any location beyond, where any employees work or travel.
- Ensure that someone who is trained in first aid assesses anyone who has received a serious blow from internal injuries, even a boss.
- Always send any employee who has received a traumatic blow to a hospital immediately for further examination, even when they say they feel fine.