



STAINLESS STEEL GPS PEDESTAL

Western Canada Deformation Array

Designed by M. Schmidt, W.H. Hill
H. Dragert, N. Courtier
Geological Survey of Canada

Technical Drawing: G. Enquist
Geographic Data B.C.
M. Schmidt, GSC

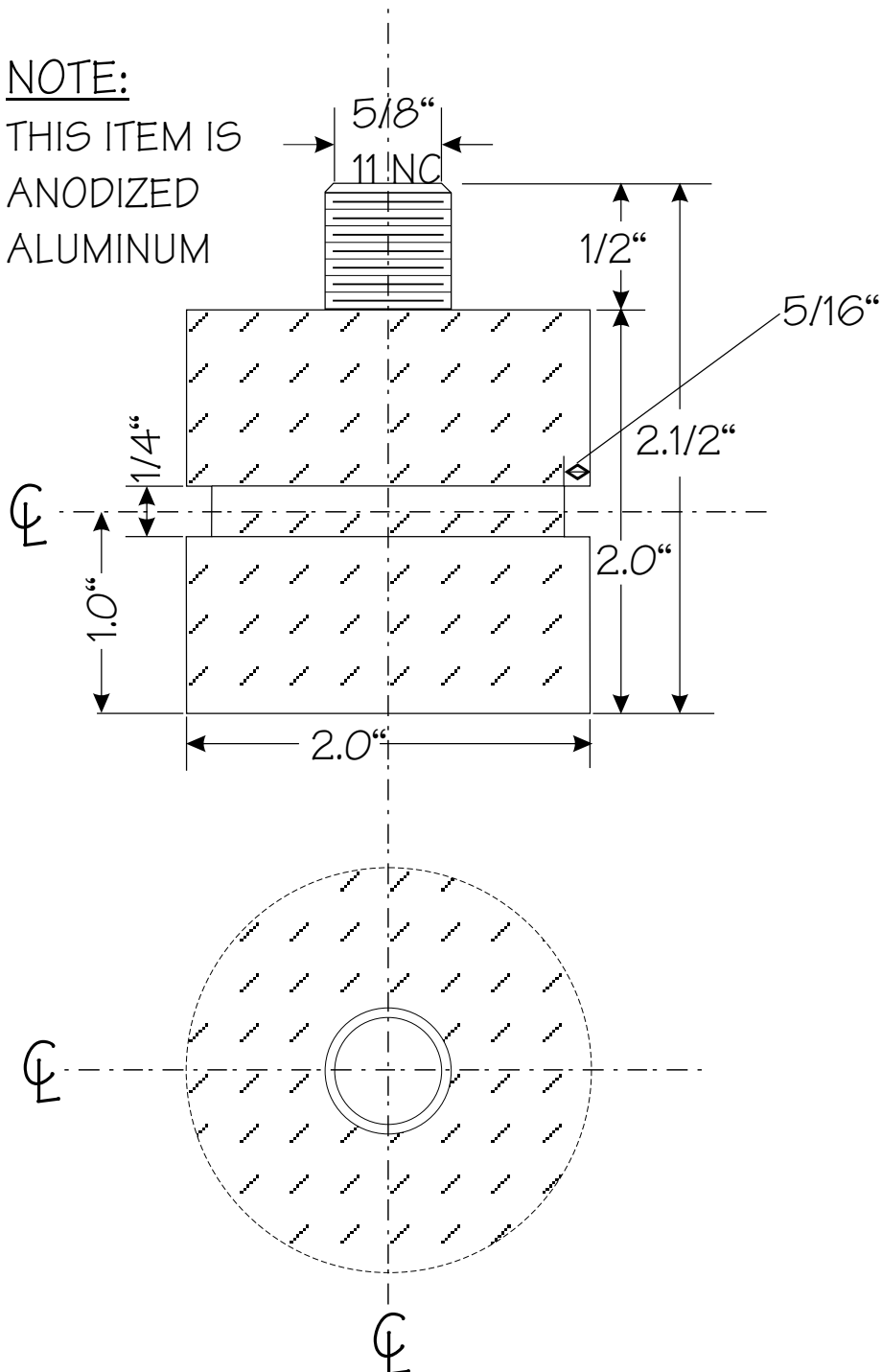
schmidt@pgc.nrcan.gc.ca



not to scale

NOTE:

THIS ITEM IS
ANODIZED
ALUMINUM



INSERT DETAILS