



# STAINLESS STEEL GPS PEDESTAL

Western Canada Deformation Array

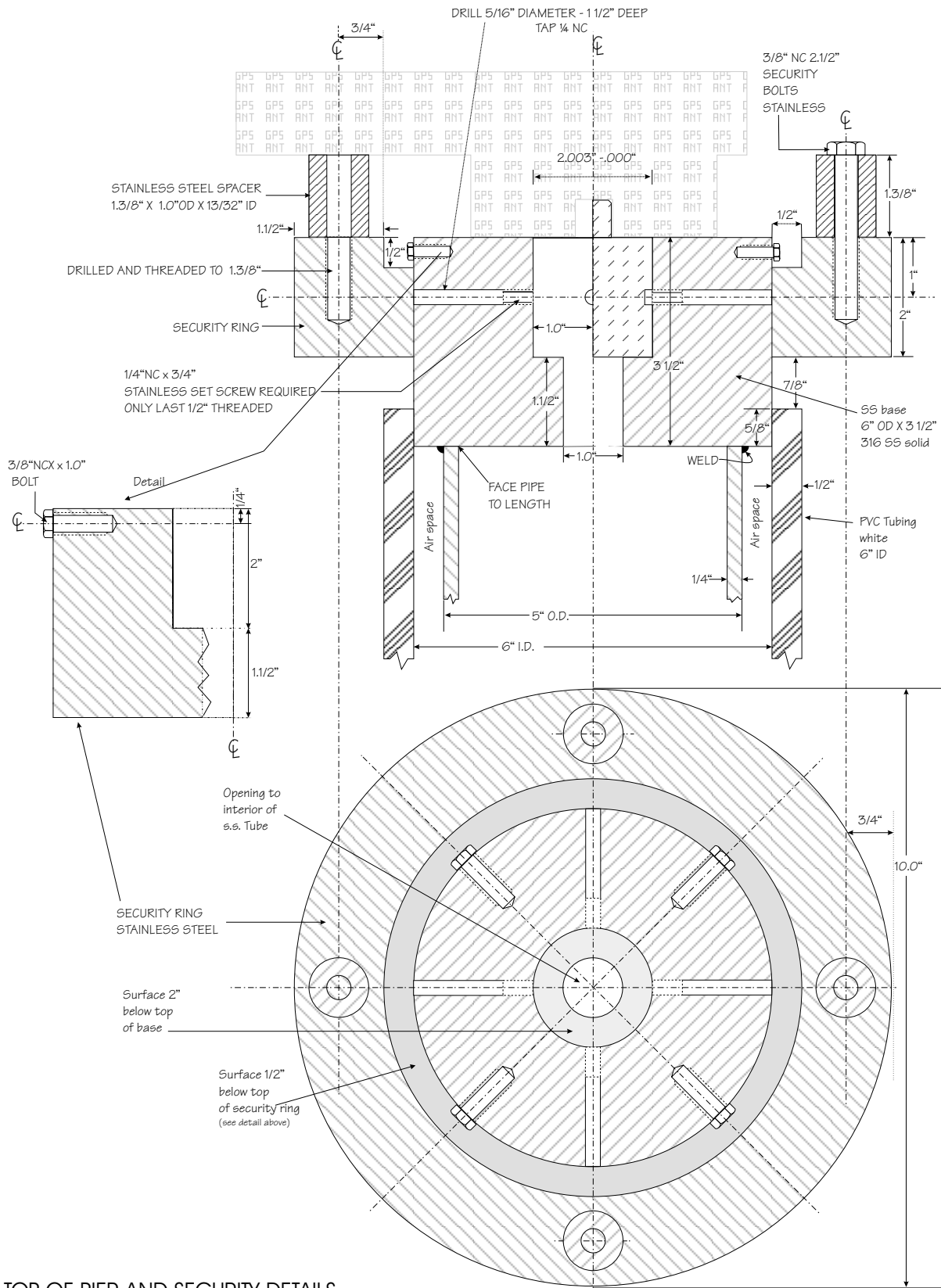


Designed by M. Schmidt, W.H. Hill  
H. Dragert, N. Courtier  
Geological Survey of Canada

Technical Drawing: G. Enquist  
Geographic Data B.C.  
M. Schmidt, GSC

schmidt@pgc.nrcan.gc.ca

not to scale



TOP OF PIER AND SECURITY DETAILS

Notes:

- all welds are 3/16 fillet
- machine tolerances +/- 0.005
- all material is T-316 L Stainless Steel except as noted