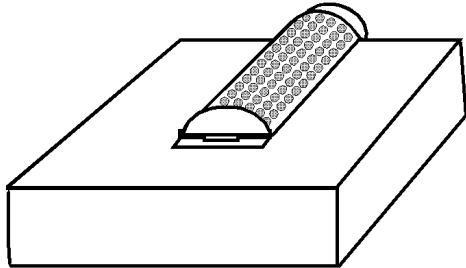




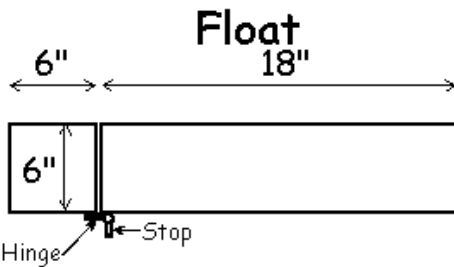
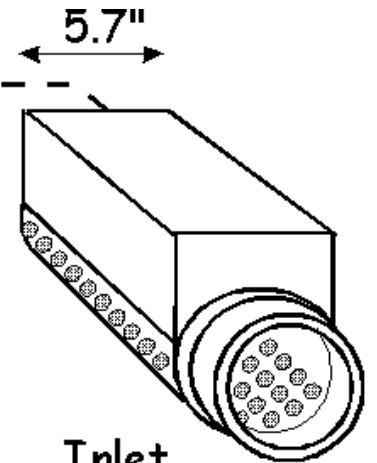
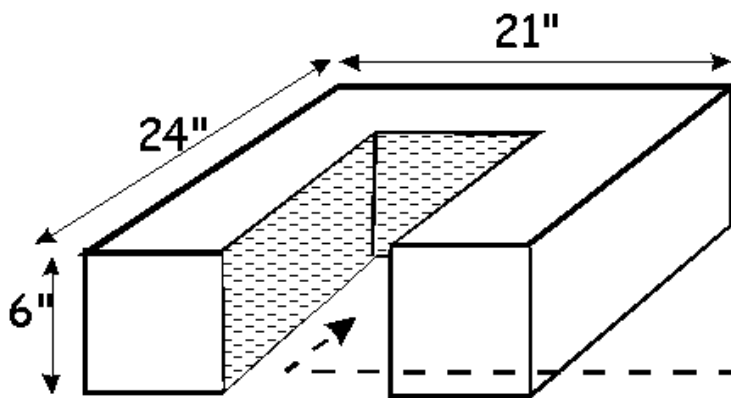
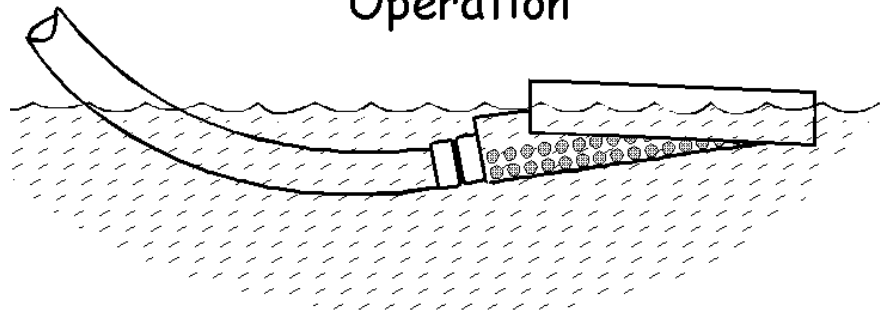
# Float Dock for Drafting from Shallow Water

## Inverted View

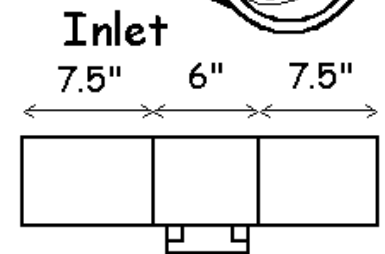
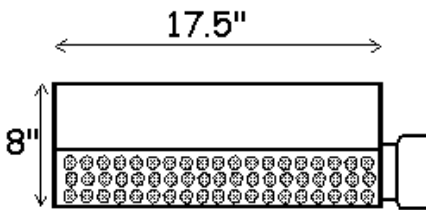


Float: Wood: solid, hollow or foam filled  
Aluminum: hollow or foam filled

## Operation



A-A  
Inlet Section Removed



B-B  
Inlet Section Removed

