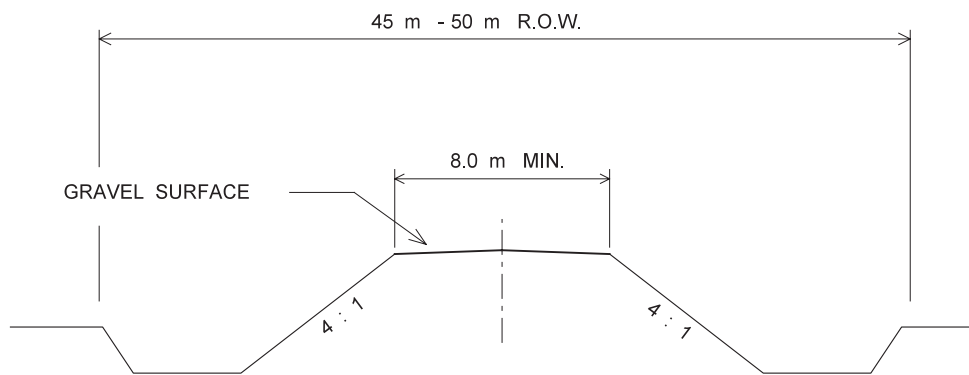


*Figure: BCS 9*

COLLECTOR (10 YR. AADT LESS THAN 300 )



NOTE: FOR ROLLING TERRAIN TOP WIDTH TO BE 8.4 m.

BASIC CROSS-SECTION No. 6