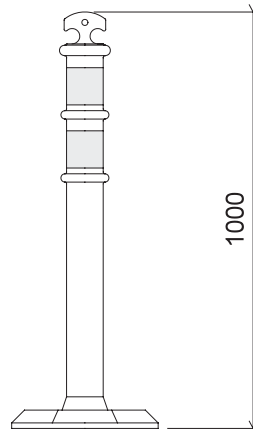
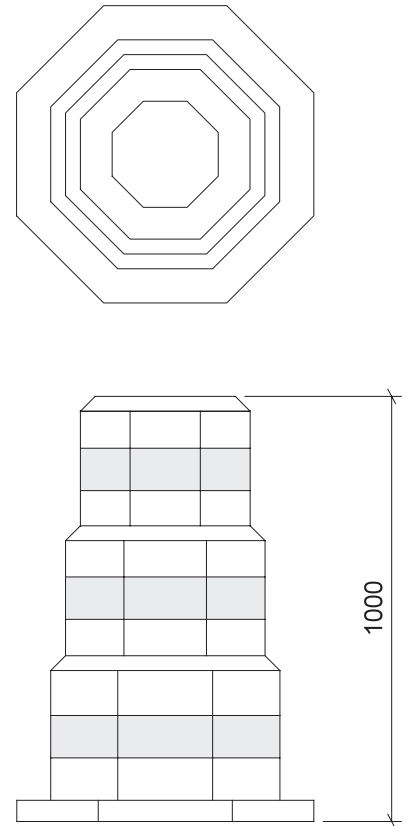


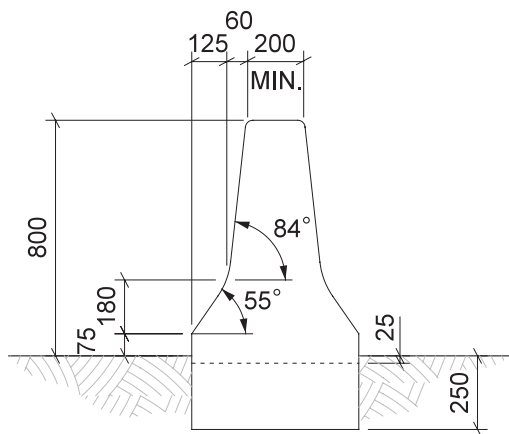
TRAFFIC CONE
(MINIMUM DIMENSIONS)



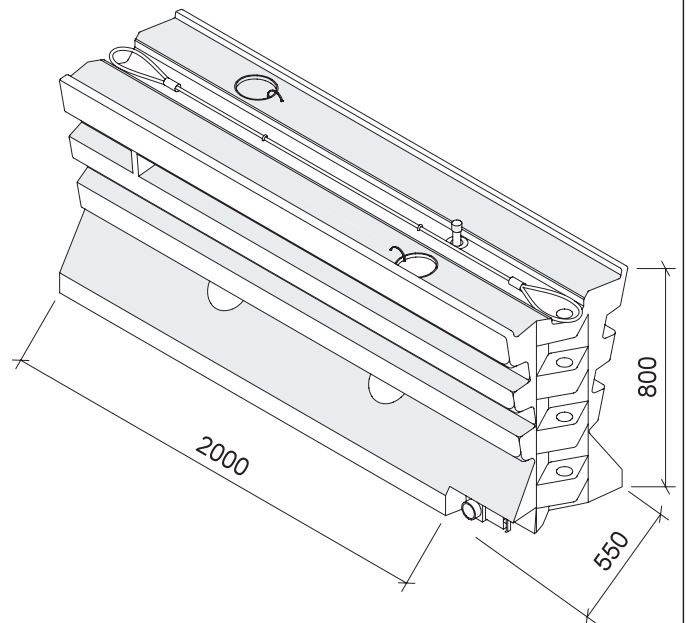
POLYPOST
(WITH BASE)



PLASTIC DRUM
(MINIMUM DIMENSIONS)



CONCRETE MEDIAN
BARRIER



TRITON BARRIER
(WATER FILLED)