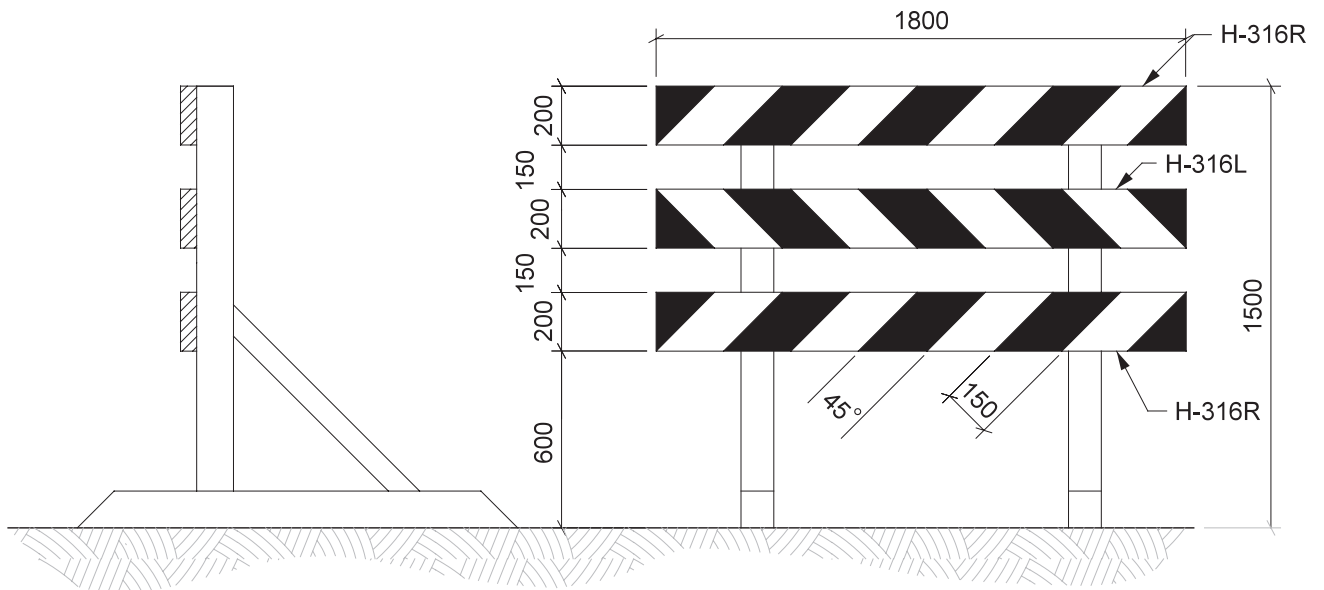
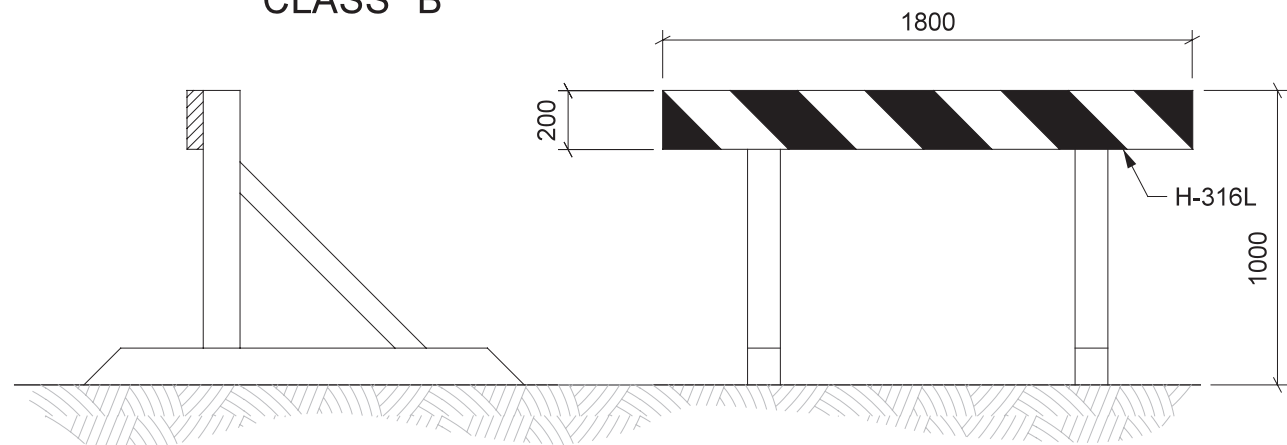


CLASS A



CLASS B



CLASS C

NOTES:

1. BARRICADE BOARDS SHALL BE ORANGE AND BLACK.
2. SUPPORT FRAMES SHALL BE WOODEN AND ANCHORED BY WEIGHTS OR PINS.
3. H-316L IS USED FOR LEFT LANE CLOSURE.
4. H-316R IS USED FOR RIGHT LANE CLOSURE.