

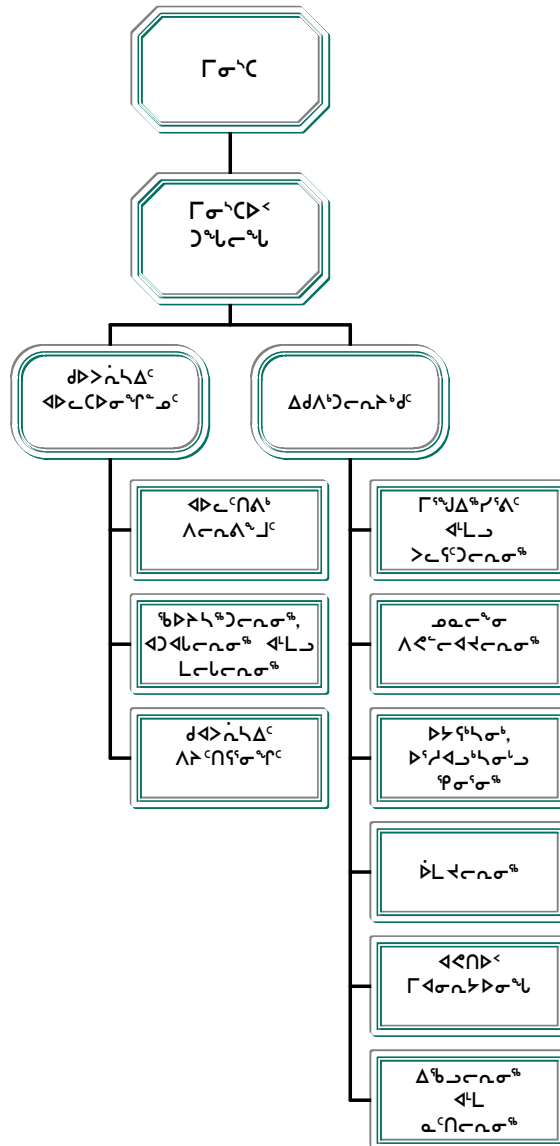


ᐅᓕᓂᑦ ᐃᑭᓂᑦ  
 ᓂᑦᓂᑦ

ᐃᓕᓂᑦ ᑲᓂᓂᑦ  
 ᓂᑦᓂᑦᐅᓂᑦ ᓂᓂᓂᑦ

ᓂᑦᐅᓂᑦ ᑭᑦᐃᐅᓂᑦ  
 ᓂᑦᓂᑦᐅᓂᑦ ᓂᓂᓂᑦ ᐃᑲᓂᑦᓂᑦ

ᑭᑦᐃᐅᓂᓕᓂᓂᑦᐅᓂᑦ ᑦᐃᑦᐃᐅᓂᑦᐅᓂᑦ























ᑲᐱᑦᑎᑦᑕ ᐱᑦᑎᑦᑕ  
SUSTAINABLE DEVELOPMENT

	2002-2003 ᐱᑦᑎᑦᑕ ᐱᑦᑎᑦᑕ Main Estimates (\$000)	2001-2002 ᐱᑦᑎᑦᑕ ᐱᑦᑎᑦᑕ Revised Estimates (\$000)	2001-2002 ᐱᑦᑎᑦᑕ ᐱᑦᑎᑦᑕ Main Estimates (\$000)
<b>ᑕᑲᑦᑎᑦᑕ ᐱᑦᑎᑦᑕ</b> <b>Grants and Contributions</b>			
<b>ᐱᑦᑎᑦᑕ - ᐱᑦᑎᑦᑕ (ᑲᐱᑦᑎᑦᑕ) Contributions - Partnerships (cont'd)</b>			
<b>ᑕᑲᑦᑎᑦᑕ ᐱᑦᑎᑦᑕ ᐱᑦᑎᑦᑕ</b> ᑕᑲᑦᑎᑦᑕ ᐱᑦᑎᑦᑕ ᐱᑦᑎᑦᑕ ᐱᑦᑎᑦᑕ ᐱᑦᑎᑦᑕ ᑕᑲᑦᑎᑦᑕ ᐱᑦᑎᑦᑕ ᐱᑦᑎᑦᑕ ᐱᑦᑎᑦᑕ ᐱᑦᑎᑦᑕ ᑕᑲᑦᑎᑦᑕ ᐱᑦᑎᑦᑕ ᐱᑦᑎᑦᑕ ᐱᑦᑎᑦᑕ ᐱᑦᑎᑦᑕ ᑕᑲᑦᑎᑦᑕ ᐱᑦᑎᑦᑕ ᐱᑦᑎᑦᑕ ᐱᑦᑎᑦᑕ ᐱᑦᑎᑦᑕ	450	450	450
<b>Nunavut Geoscience Office</b> Government of Nunavut's contribution to a joint office between Geological Survey of Canada, Department of Indian Affairs & Northern Development (INAC), Government of Nunavut and Nunavut Tunngavik Inc. to build geoscience capacity in Nunavut.			
<b>ᑕᑲᑦᑎᑦᑕ ᐱᑦᑎᑦᑕ ᐱᑦᑎᑦᑕ ᐱᑦᑎᑦᑕ ᐱᑦᑎᑦᑕ</b> ᑕᑲᑦᑎᑦᑕ ᐱᑦᑎᑦᑕ ᐱᑦᑎᑦᑕ ᐱᑦᑎᑦᑕ ᐱᑦᑎᑦᑕ ᑕᑲᑦᑎᑦᑕ ᐱᑦᑎᑦᑕ ᐱᑦᑎᑦᑕ ᐱᑦᑎᑦᑕ ᐱᑦᑎᑦᑕ ᑕᑲᑦᑎᑦᑕ ᐱᑦᑎᑦᑕ ᐱᑦᑎᑦᑕ ᐱᑦᑎᑦᑕ ᐱᑦᑎᑦᑕ	14	14	14
<b>Beverly - Qamanirjuaq Barren Ground Caribou Management Board</b> Government of Nunavut's contribution to the co-management Board for the Beverly and Qamanirjuaq caribou herd between INAC, Manitoba, Saskatchewan, the Northwest Territories and Nunavut.			
<b>ᑕᑲᑦᑎᑦᑕ ᐱᑦᑎᑦᑕ ᐱᑦᑎᑦᑕ ᐱᑦᑎᑦᑕ ᐱᑦᑎᑦᑕ</b> ᑕᑲᑦᑎᑦᑕ ᐱᑦᑎᑦᑕ ᐱᑦᑎᑦᑕ ᐱᑦᑎᑦᑕ ᐱᑦᑎᑦᑕ ᑕᑲᑦᑎᑦᑕ ᐱᑦᑎᑦᑕ ᐱᑦᑎᑦᑕ ᐱᑦᑎᑦᑕ ᐱᑦᑎᑦᑕ ᑕᑲᑦᑎᑦᑕ ᐱᑦᑎᑦᑕ ᐱᑦᑎᑦᑕ ᐱᑦᑎᑦᑕ ᐱᑦᑎᑦᑕ	12	12	12
<b>Real-Time Global Positioning System (GPS)</b> Government of Nunavut's contribution to a national global positioning correction service between the Federal Government and the other provinces and territories.			

























