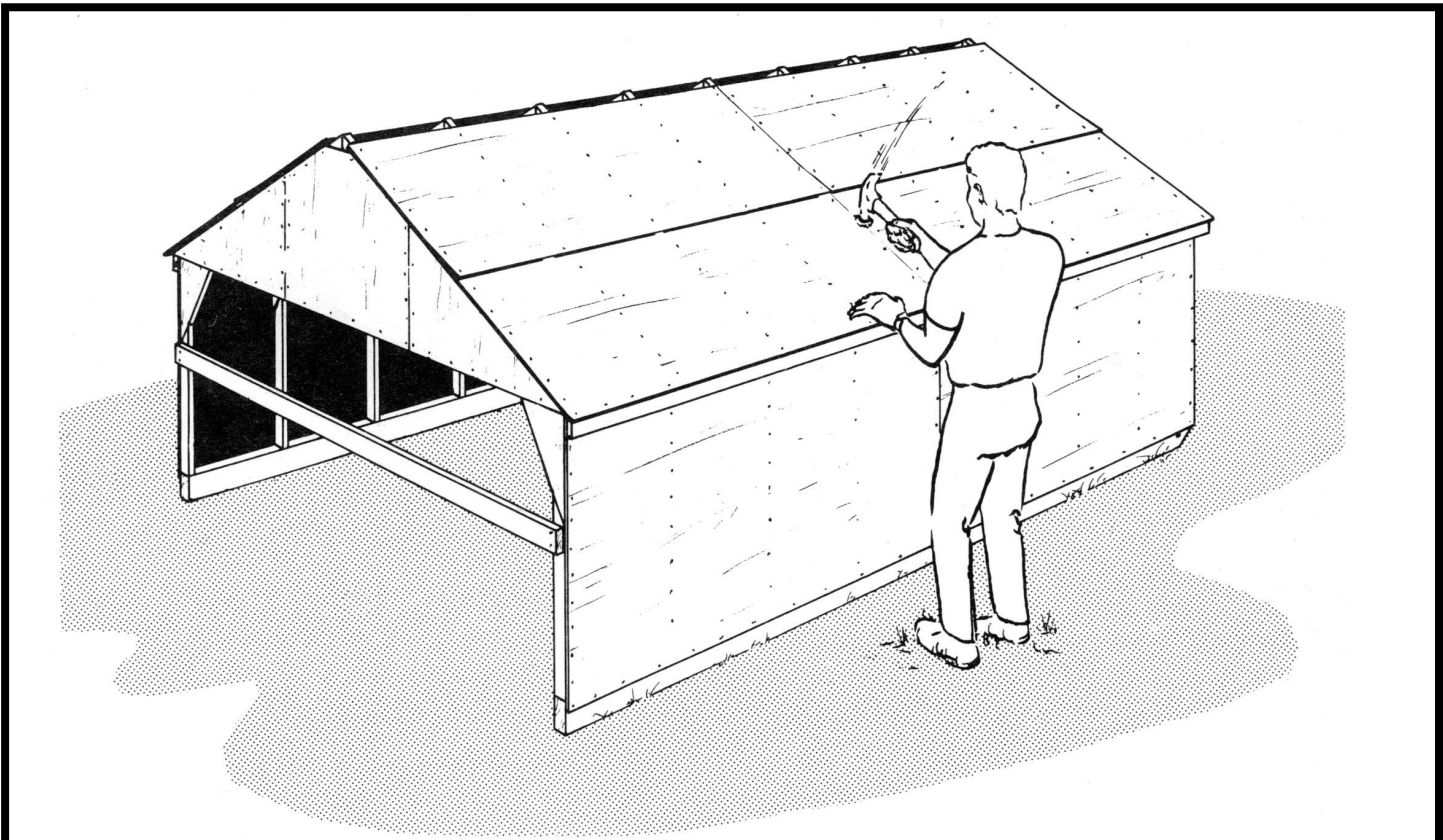


CALF RANGE SHELTER - 20 CALVES - GABLE ROOF



CPS
PLAN M-1351 NEW 80:04

Portable calf shelters are very popular with cow-calf ranchers who need additional shelter for young calves on range during chilly wet weather. Page 2 of this leaflet gives details for building such a shelter. Locate the shelter on a well-drained knoll with the open end facing south to benefit from spring sunshine.

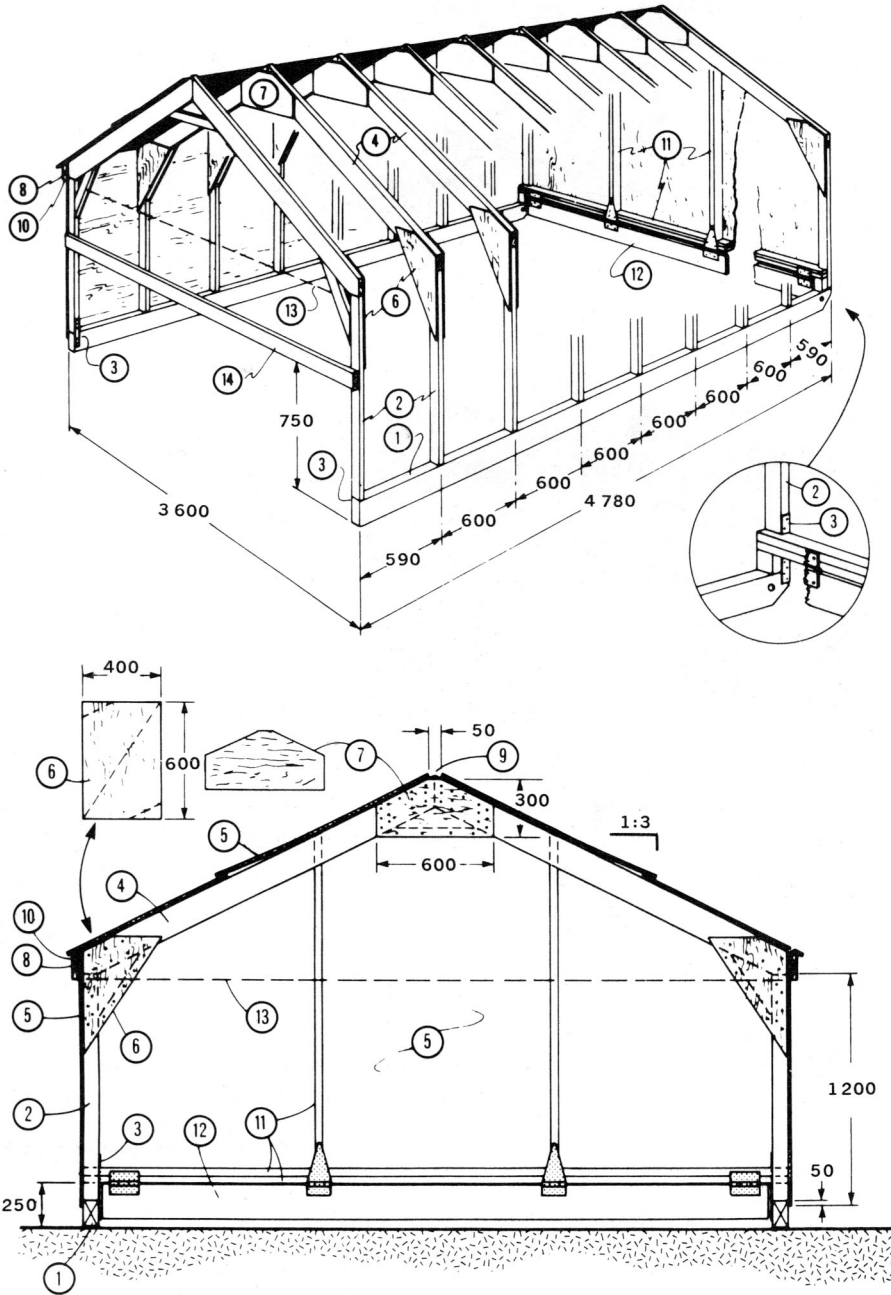
This plan is for a shelter 3.6 x 4.8 m suitable for up to 20 calves. Some ranchers may want to scale this down to a 10-calf shelter so it can be skidded

onto a flat-bed trailer or truck platform for transportation to remote sites. The height of the roof should not be reduced.

The shelter is designed to use inexpensive sheathing plywood or Aspenite in 9.5 mm thickness for wall and roof covering; buy 19 sheets of 1.2 x 2.4 m sheathing and saw part of these sheets into the 56 gusset pieces required to prefabricate. Frame the shed slightly less than 2.4 m long so that the roof sheathing can

overhang the end walls with minimum splicing. Nail all sheathing and gussets to the frame securely with 38 mm large-head galvanized roofing nails so that the building can withstand racking while being moved. Use steel strap ties for strength under each corner where the skids meet the sill. The useful life of this structure can be considerably increased by soaking the skids and the exposed ridge joint with a good penetrating wood preservative.

If the site is exposed to strong winds, add a weighted canvas or burlap curtain, and anchor the shed at four corners by wiring it down to stakes driven into the ground. Bed the floor liberally with straw, wood chips or other dry bedding material. When the manure pack needs cleaning out, pry the skids carefully out of the manure pack, then tow the shed backwards off the bedded area to a new site. Clean and spread the manure after the shed has been removed.



- 1 38 x 140 mm skids; bevelled & drilled at closed end for towing
- 2 38 x 89 mm studs
- 3 3 x 38 mm steel strap ties, stud (2) to skids (1), at all 4 corners
- 4 rafters from 38 x 140 x 4200 mm
- 5 9.5 mm select sheathing exterior plywood or Aspenite siding and roof, nail every 150 mm with 38 mm large-head galv. roofing nails, to roof add asphalt roll roofing, or caulk all joints 75 mm
- 6 9.5 mm plywood gussets, cut 2 from rectangle as shown, nail from both sides the 38 mm galv. large-head roofing nails, 38 x 38 mm filler blocks between
- 7 9.5 mm plywood gussets, nail from both sides, 38 x 89 mm filler block between
- 8 9.5 plywood filler, continuous
- 9 slot opening at ridge for ventilation
- 10 38 x 140 mm face board, bevel at top to suit roof cladding
- 11 back wall gable, 2 - 38 x 89 mm stiffeners at bottom and 2 - 38 x 89 mm studs @ 1200 mm oc
- 12 plywood or 38 x 184 mm flap board to pass over ground when skidding, hinged as shown with 2 butt hinges and 2 Tee hinges
- 13 line of front, 1 - 38 x 89 mm stiffener and 2 - 38 x 89 mm studs @ 1200 mm oc
- 14 38 x 184 mm guard, keeps cows out of shelter