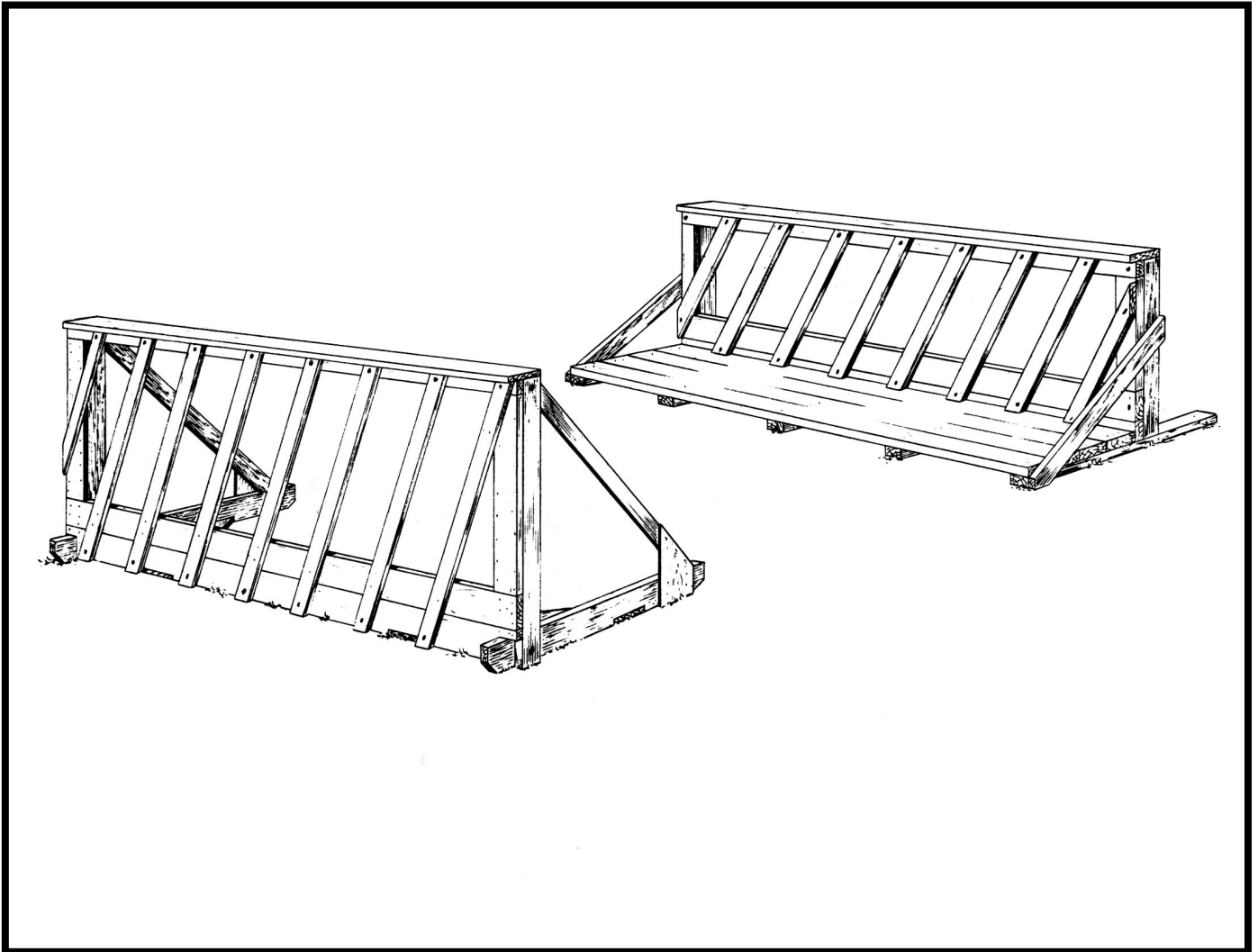


## MOVABLE FEED GATES



DEVELOPED BY CANADA PLAN SERVICE

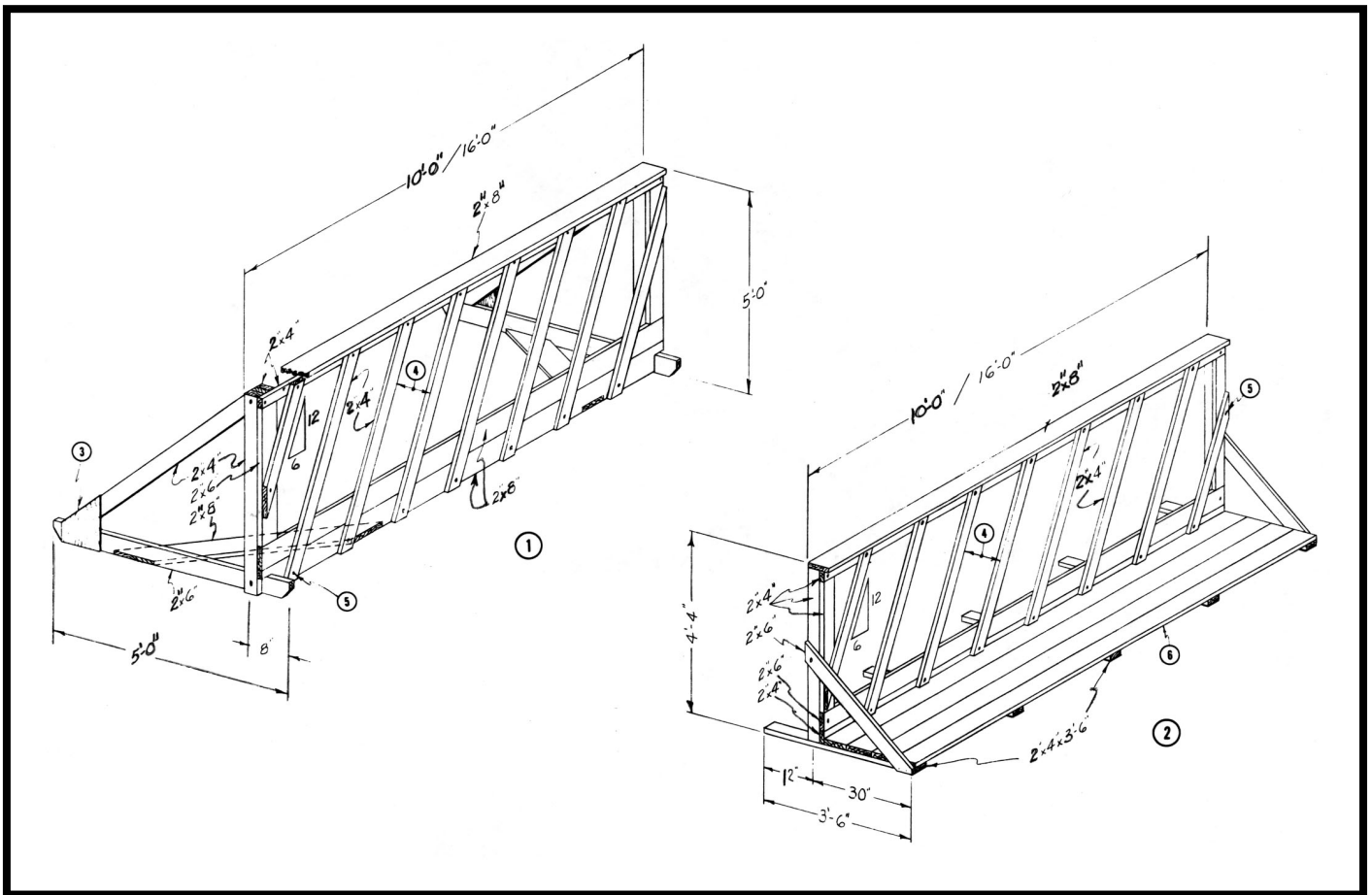
# 314-06

## MOVABLE FEED GATES

CPS  
PLAN 1645 REVISED 5:77

These feed gates are designed to control wasting of hay or silage where cattle are self-fed at the storage site. Two styles are shown, front braced and rear braced. Both are suitable for use in horizontal silos, single-story hay barns or around haystacks. The floor of the storage should be paved and sloped outwards to prevent manure from draining into the feed. Both styles of gate are on skids to prevent overturning. The rear braced style has long skids which are pushed back into the feed for support; the front braced style is kept upright by the weight of the cattle standing on the front platform.

Some management is required to control wasting of feed; if the gates are pushed too close to the stack, cattle will pull feed through the gate openings and dribble it onto the floor. For best results, feed should be cut from the stack and fed on the floor behind the gates. This way, cattle put their heads completely through the openings and feed in a natural head-down position. Move the feeder towards the feed stack whenever the stack is too far away for easy handling and when the feed on the floor is used up.



- 1 rear braced
- 2 front braced
- 3 3/8" plywood gusset
- 4 11" for beef  
12" for dairy
- 5 1/2" bolts
- 6 2" platform