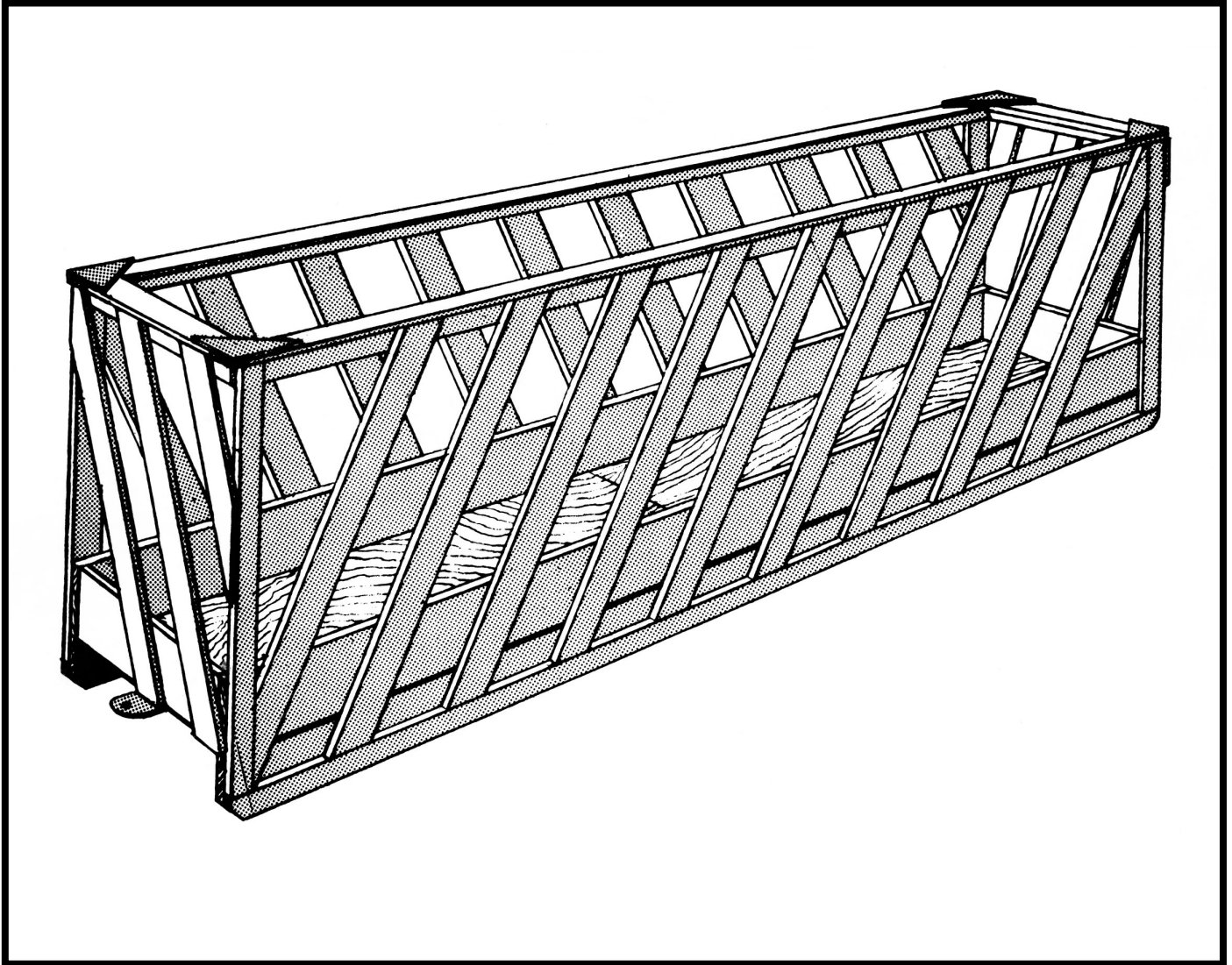


# SLANT BAR PORTABLE HAY FEEDER



DEVELOPED BY CANADA PLAN SERVICE

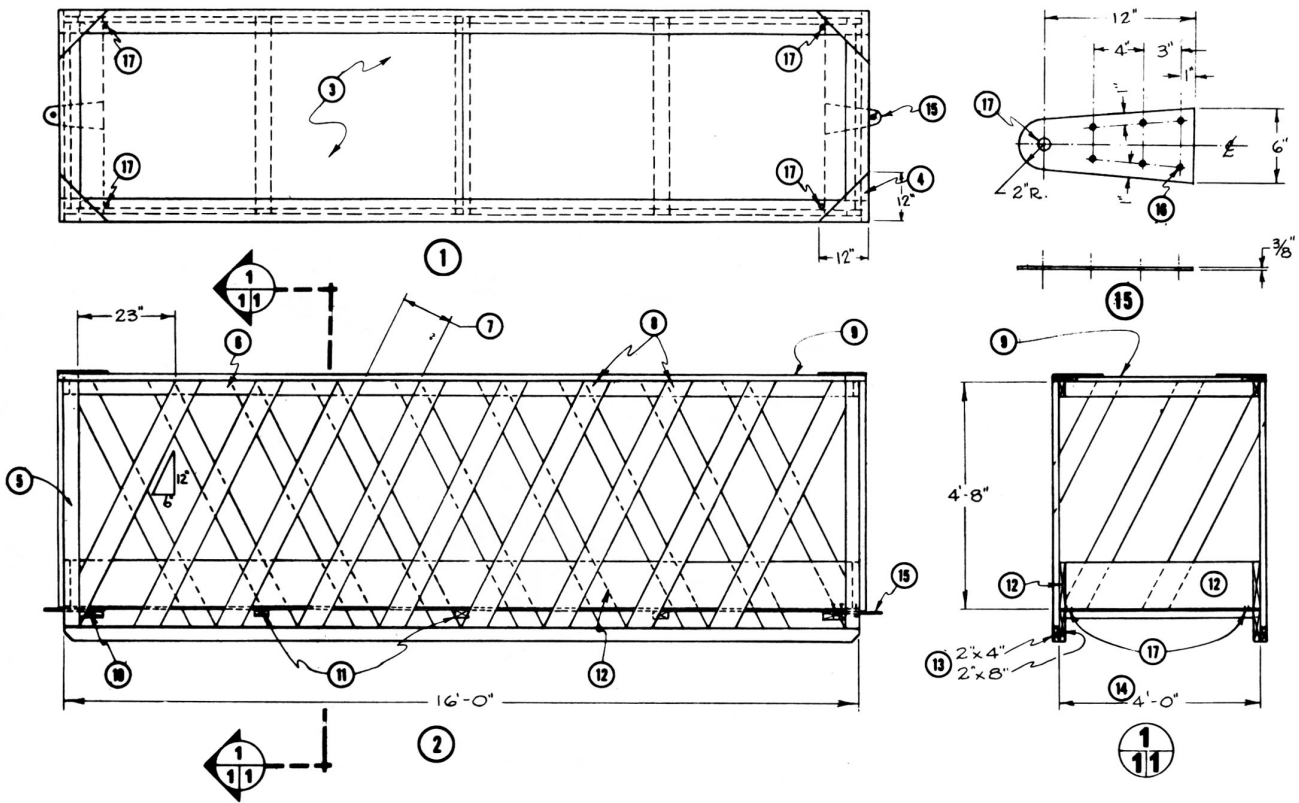
# 314-07

## PORTABLE HAY FEEDER

CPS  
 PLAN 1646 NEW 5:72

This portable feeder is a proven hay-saving design for free-choice supplementary hay feeding in field, feedlot or loose-housing barn. The sloping spacers allow cattle of various sizes to feed comfortably with heads inside

the feeder. This helps to reduce waste since cattle do not have to withdraw their heads to stand and chew. Do not over-fill, otherwise cattle can remove the hay without reaching through the spacer planks



- 1 plan view
- 2 side view
- 3 5/8" plywood floor
- 4 5/8" plywood gussets
- 5 2" x 4" corner post
- 6 2" x 4" tie
- 7 10" beef  
12" dairy
- 8 2" x 6" spacers
- 9 2" x 6" plate
- 10 2" x 6" draw bar
- 11 2" x 4" stiffeners
- 12 2" x 12" keeper
- 13 skids - 2" x 4" and 2" x 8"
- 14 if filled with grapple fork increase to 6'-0"
- 15 draw plate
- 16 1/4"Ø - 6 holes for 1/4" x 2" lag screws  
2 screws from bottom into keeper  
4 screws thru floor into draw bar
- 17 1" Ø hole