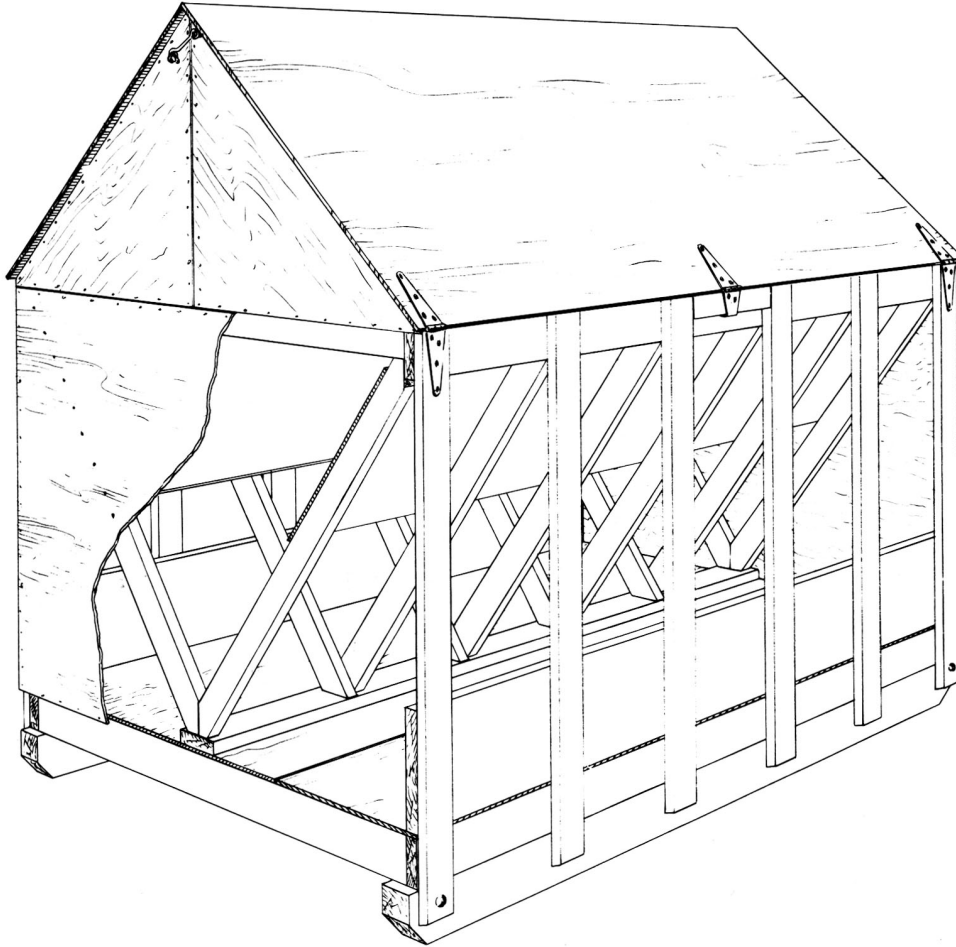


PORTABLE HAY SELF FEEDER



CPS
PLAN 1644 NEW 2:76

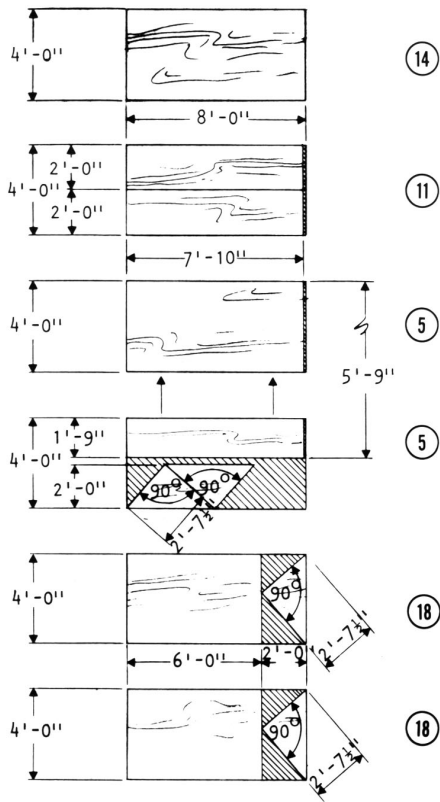
The back of this leaflet gives details for building this self-feeder for baled, chopped or long hay. The feeder is shown covered for use in field or feedlot. Hay is loaded from the top into a hopper which funnels feed into the center. This, combined with vertical spacers at the feeding openings, helps to reduce feed waste.

Make the unit from 7 sheets of exterior sheathing plywood on wood framing. Plywood 3/8-inch thick is satisfactory for sides, bottom and hopper, but the roof

panels should be 1/2-inch (5-ply) since the hinged roof panel has no framework. The roof could be eliminated if the feeder is always used under cover, or for dry western conditions where snow and rain are minimal. Without roof, this feeder can also be used for large bales.

Nail the plywood very securely to the frame with 1 3/4-inch galvanized nails, and bolt the skids to the 4 corners. This makes the unit strong enough to withstand tractor towing and rough use by cattle.

DEVELOPED BY CANADA PLAN SERVICE



- 1 skids, 4" x 6" x 8'-0", 3/4" dia. hole at each end for towing, make 2
- 2 carriage bolts, 1/2" dia. x 6", nuts and washers at each corner, 4 req'd
- 3 rails, 2" x 6" x 7'-10", make 2
- 4 floor joists, 2" x 6" x 5'-9" at ends, make 2
2" x 6" x 5'-6" between, make 4
- 5 floor, 1 1/2 sheets of 3/8" plywood (see cutting detail ⑤)
2" x 4" blocking between joists at plywood joint.
- 6 stiffener, 2" x 6" x 7'-10"
- 7 keeper, 2" x 12" x 7'-10", make 2
- 8 spacers, 2" x 4" x 4'-9", make 12
- 9 hopper frame, 2" x 4" x 5'-0" end frames butt at bottom,
frames between are lapped, make 12
- 10 end cross pieces, 2" x 4" x 5'-6", make 2
- 11 hopper panels, 3/8" plywood (see cutting detail ⑪)
- 12 upper rails, 2" x 6" x 7'-10", make 2
- 13 top stiffener, 2" x 4" x 7'-10", make 2
- 14 roof, 1/2" plywood (see cutting detail ⑭) one side
nailed in position; other side hinged with three 3" strap
hinges, held closed with a hook and eye at each end
- 15 rafters, 2" x 4" x 4'-0", make 6
- 16 ridge, 2" x 6" x 7'-10"
- 17 endwall blocking, 2" x 4" x 4'-0", make 2, none at center
- 18 endwall cladding, 3/8" plywood (see cutting detail ⑱)

