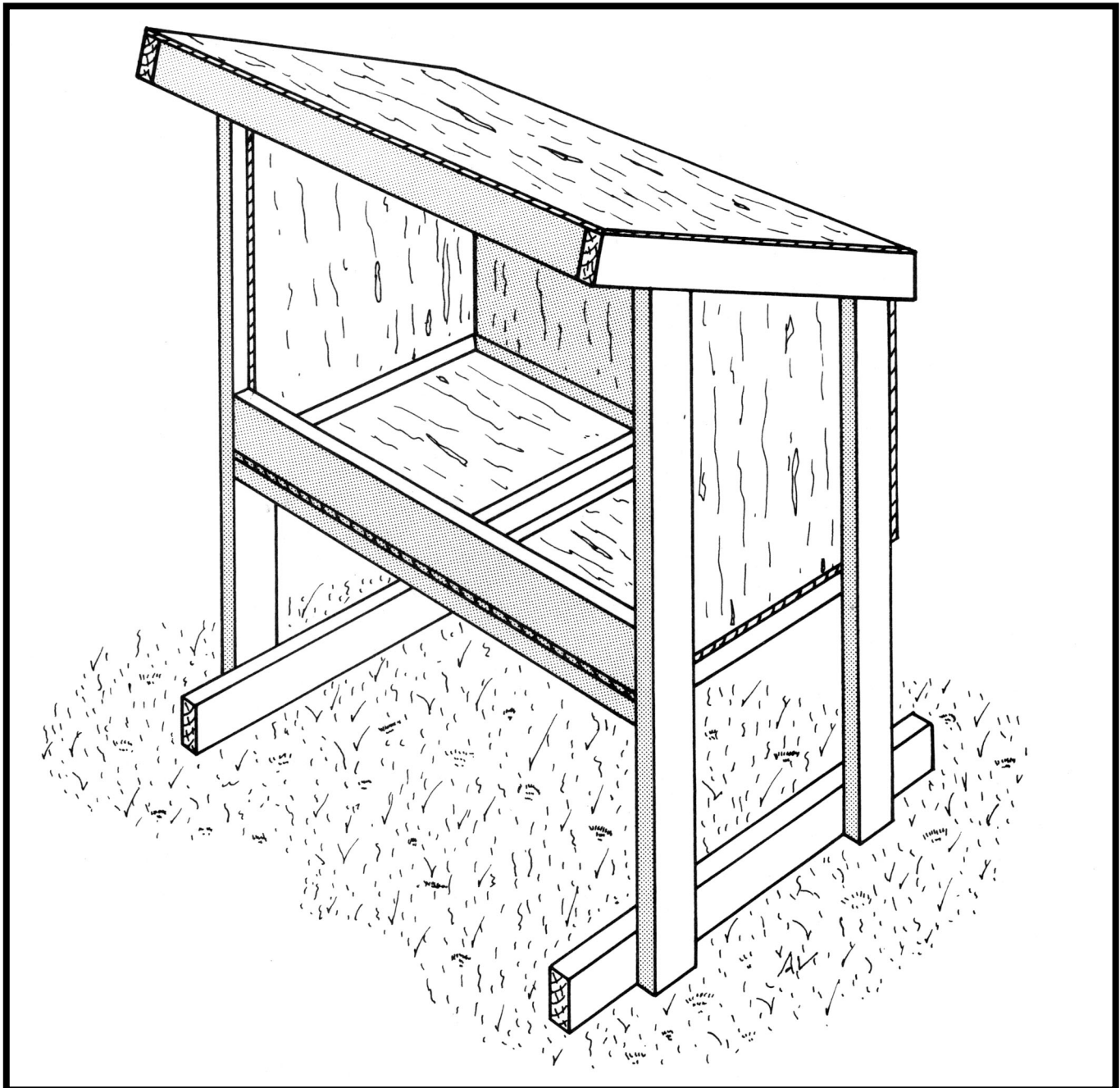


MINERAL FEEDER - WOOD BOX



DEVELOPED BY CANADA PLAN SERVICE

314-15

MINERAL FEEDING BOX

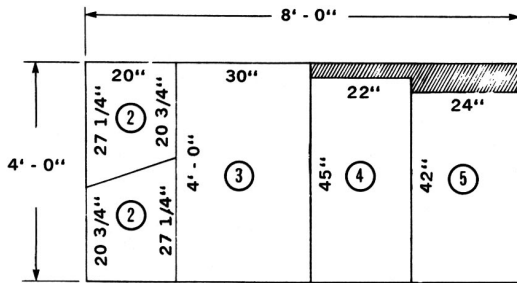
CPS
 PLAN 2663 NEW 85:03

This is an easy-to-build mineral or salt box for feed lot or pasture. The box is roofed to keep minerals dry; face the opening downwind for additional rain protection.

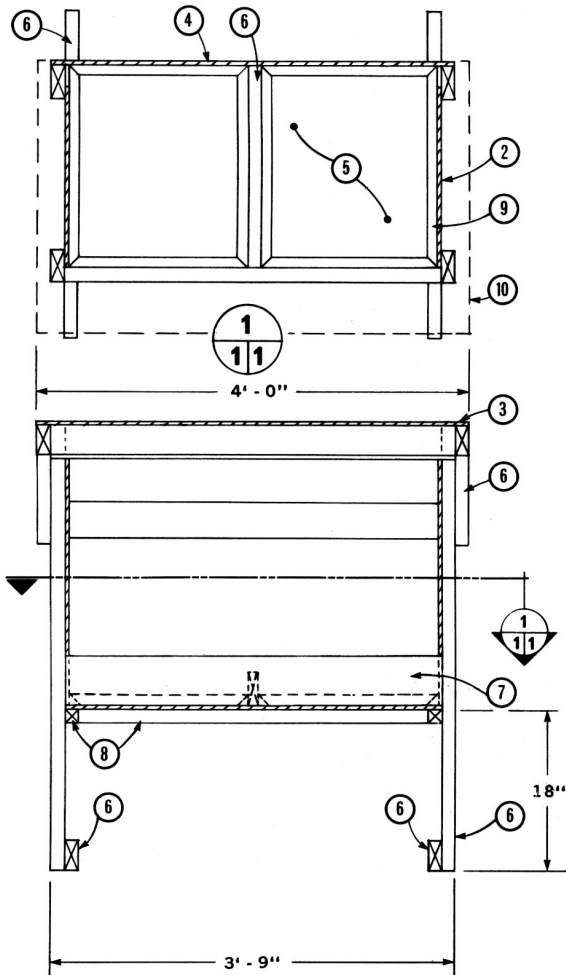
A cutting diagram shows how to cut all the panels from one 4 x 8 ft sheet of exterior plywood.

Covered inside corners reinforce the joints and help cattle to lick the box clean.

To prevent overturning, anchor the base skids to 4 stakes driven into the ground, or extend the legs into post holes in the ground and back-fill with tamped earth.



1



- 1 cutting detail, 5/8" exterior sheathing plywood or Aspenite
- 2 side panels
- 3 roof panel
- 4 back panel
- 5 bottom panel
- 6 2" x 4" skids, posts, divider and roof frame
- 7 2" x 6" front
- 8 2" x 2" blocking
- 9 45° cove out of 2" x 2"
- 10 roof line

