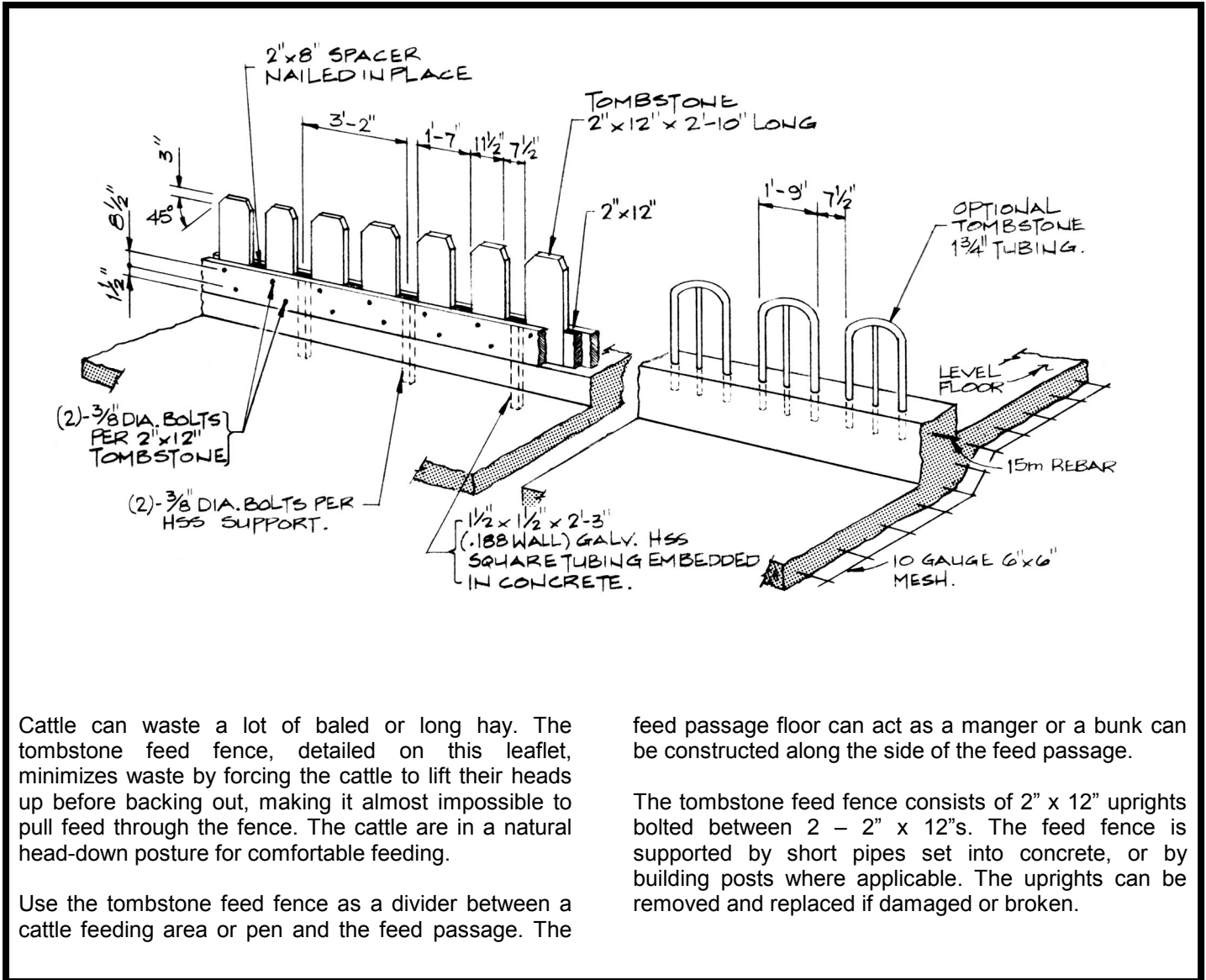


# TOMBSTONE FEED FENCE

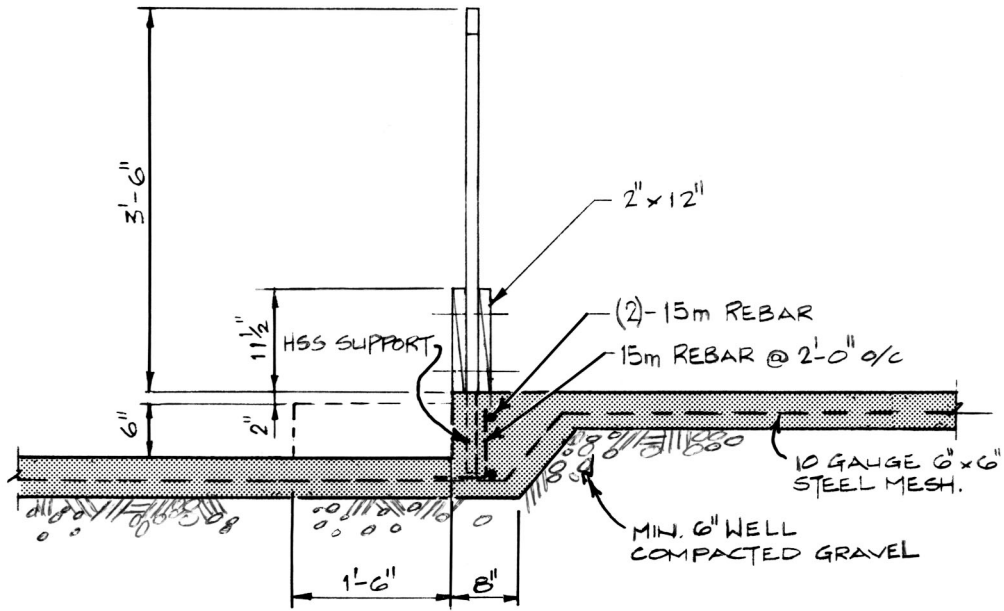


Cattle can waste a lot of baled or long hay. The tombstone feed fence, detailed on this leaflet, minimizes waste by forcing the cattle to lift their heads up before backing out, making it almost impossible to pull feed through the fence. The cattle are in a natural head-down posture for comfortable feeding.

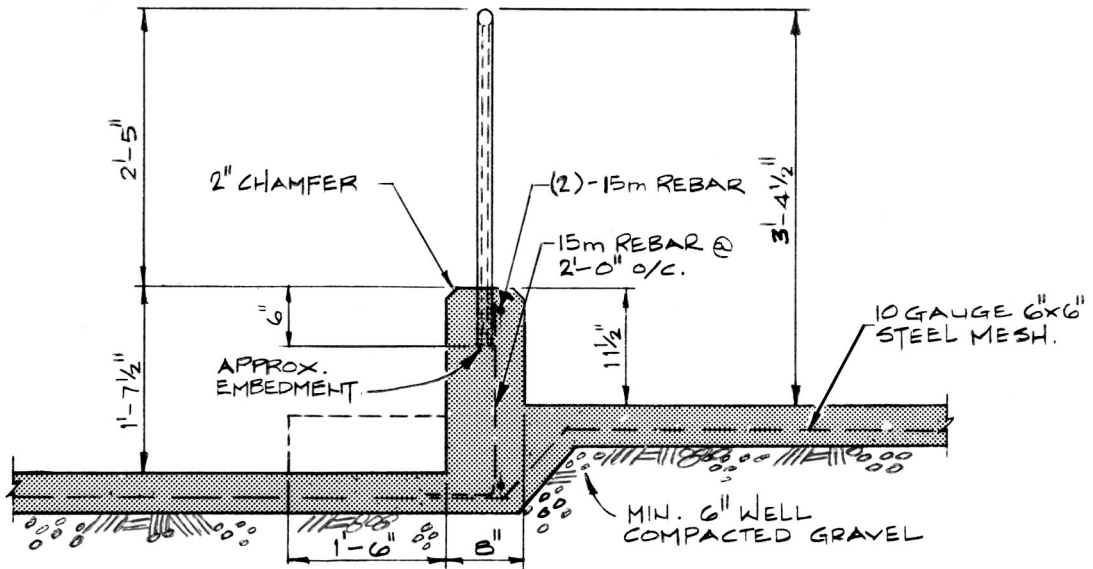
Use the tombstone feed fence as a divider between a cattle feeding area or pen and the feed passage. The

feed passage floor can act as a manger or a bunk can be constructed along the side of the feed passage.

The tombstone feed fence consists of 2" x 12" uprights bolted between 2 - 2" x 12"s. The feed fence is supported by short pipes set into concrete, or by building posts where applicable. The uprights can be removed and replaced if damaged or broken.



CROSS SECTION  
WOOD TOMBSTONE



CROSS SECTION  
OPTIONAL TUBING