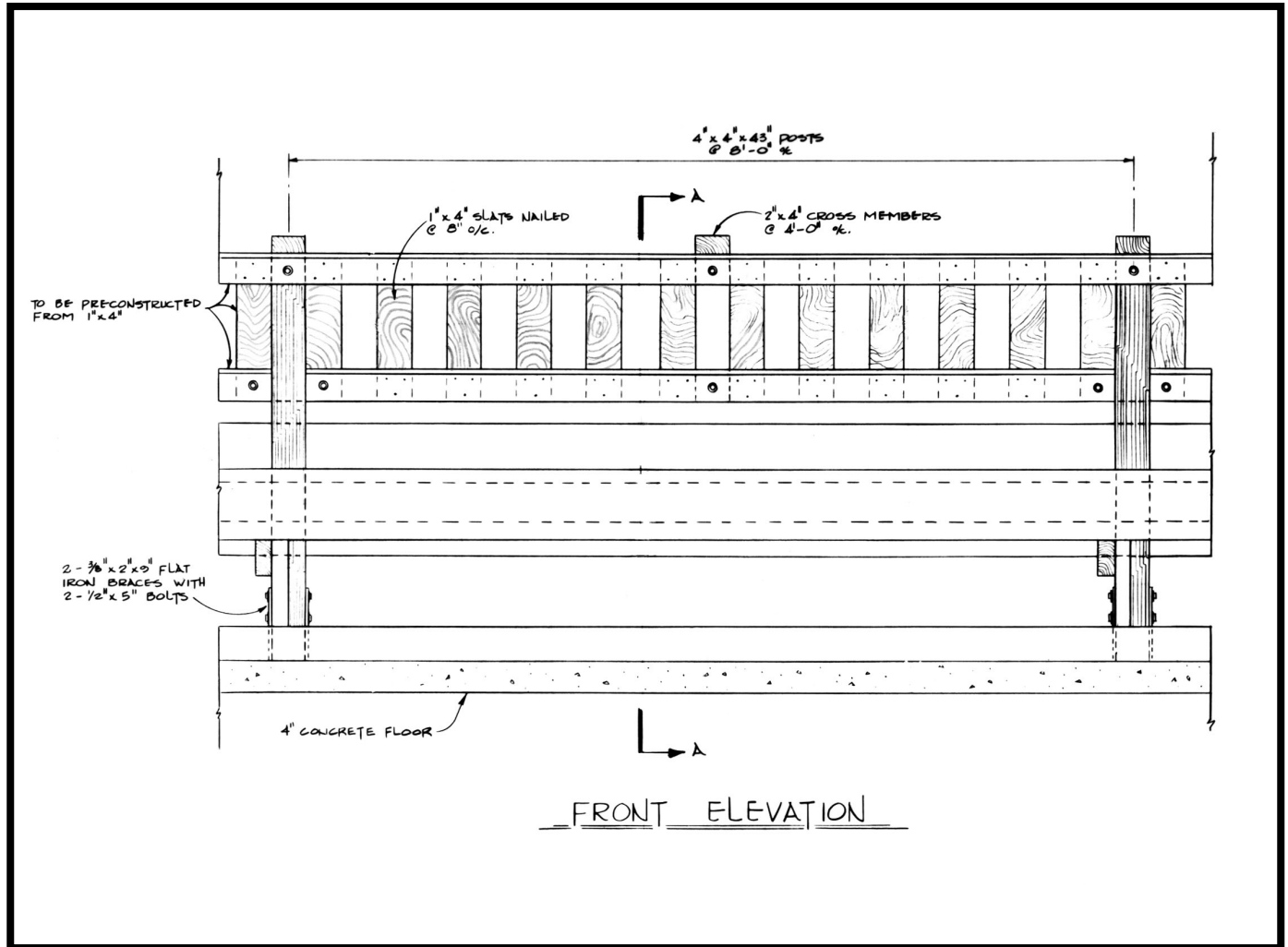


# CALF FEED BUNK

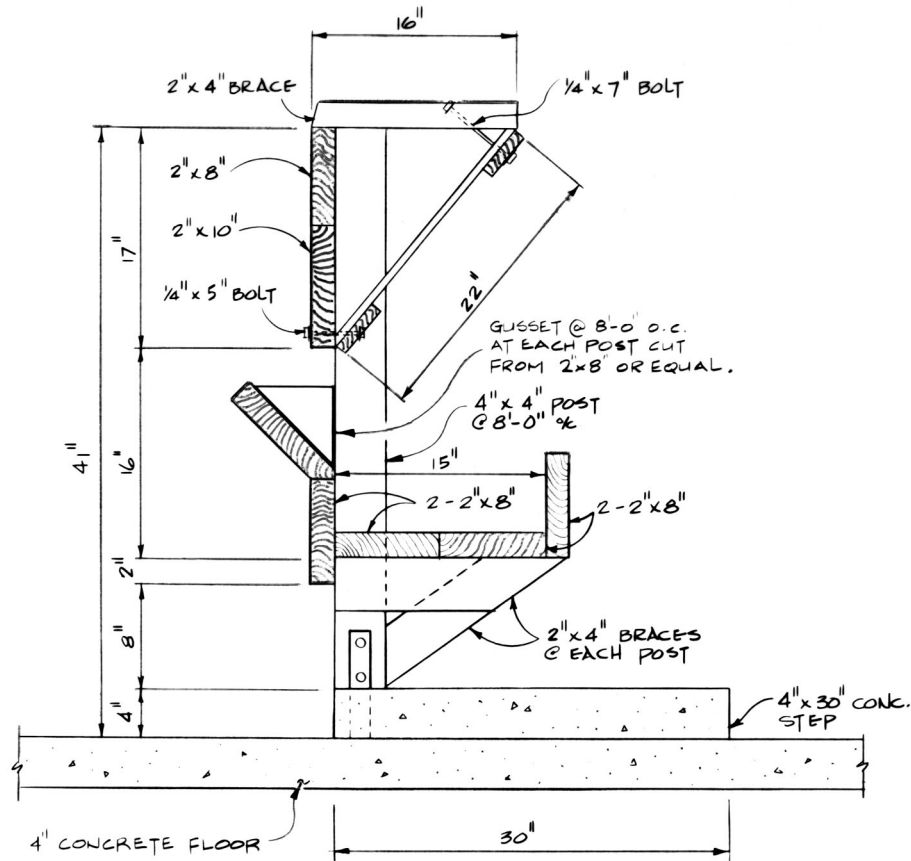


**CALF FEED BUNK**

This feed bunk for calves includes a hay rack located above the manger to reduce wasted hay. The feed manger may be used to feed silage, green feed or grain. The feeder may be loaded from the side opposite to where the calves are feeding, lending this feeder applicable to a drive through system.

This unit is constructed of 2 inch nominal thickness lumber using 4" x 4" posts anchored in concrete as the main supporting members.

The hay rack slots are made up using 1" x 4" planks.



SECTION A-A