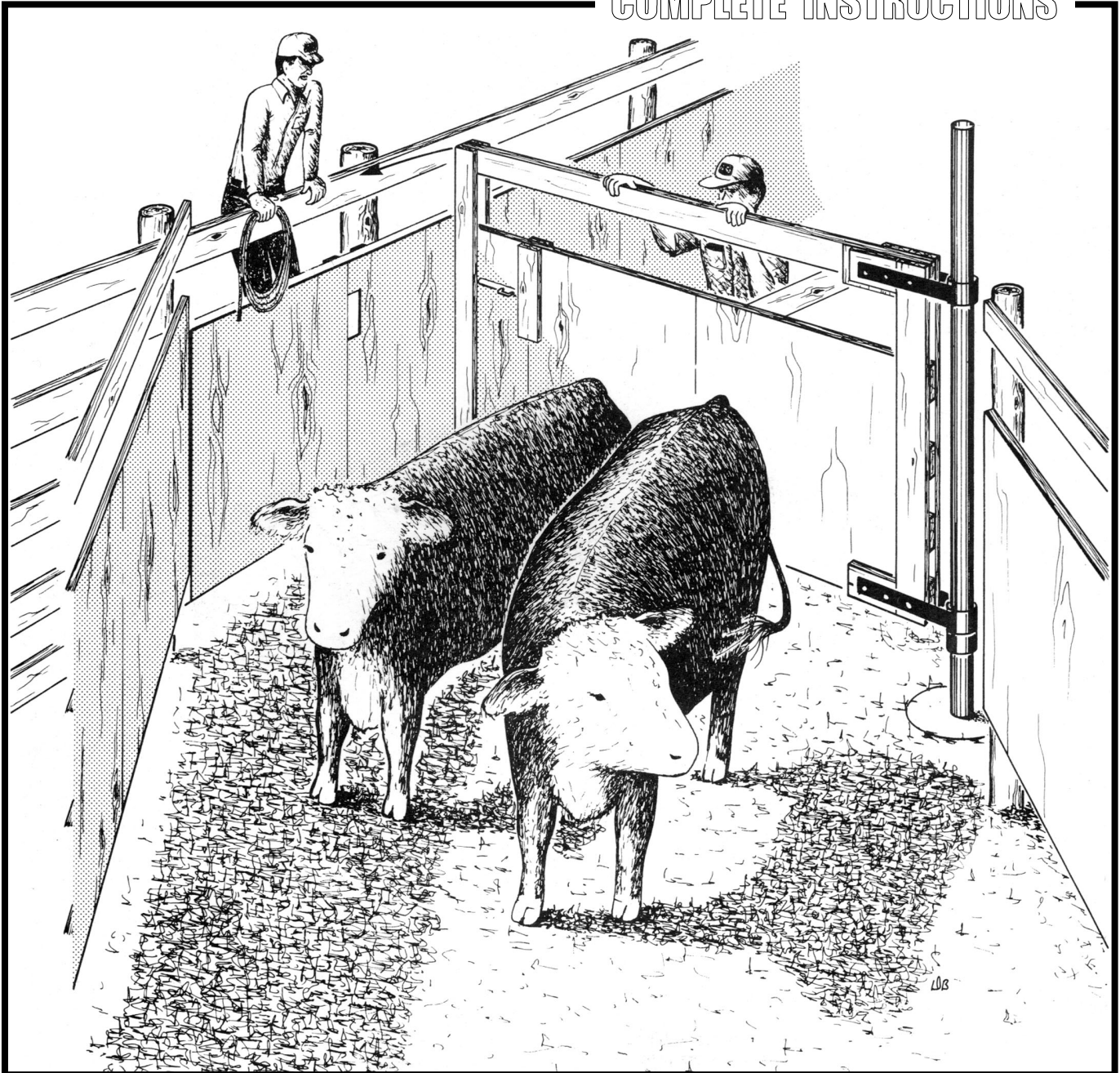


CROWDING GATE

COMPLETE INSTRUCTIONS

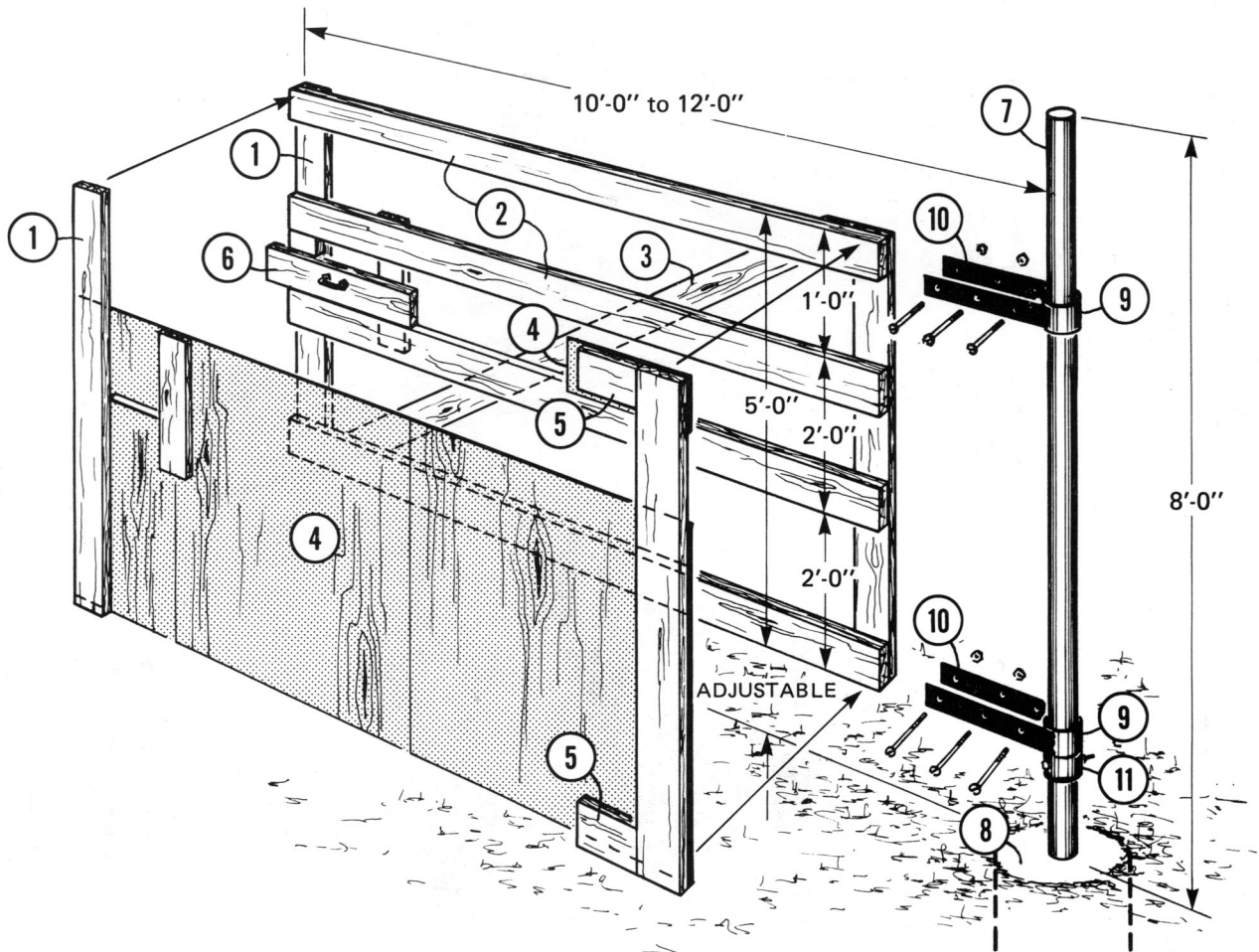


DEVELOPED BY CANADA PLAN SERVICE

315-02

CROWDING GATE

CPS
PLAN 1812 REVISED 83:12



- 1 1" x 6" gate uprights
- 2 2" x 6" gate rails
- 3 1" x 6" cross bracing
- 4 3/8" sheathing plywood, face grain vertical
- 5 1" x 6" spacer blocking
- 6 latch board from 2" x 6"; U-bolt handle
- 7 3 1/2" x 12'-0" long pipe post
- 8 concrete backfill to 4'-0" deep; in soft soils, increase diam. of post hole and concrete
- 9 4" pipe x 3" long hinge sleeve (rotates on post ⑦), grease as necessary
- 10 3/8" x 3" x 1'-4" hinge strap (weld to hinge sleeve ⑨) secure to gate members with 3/8" machine bolts
- 11 4" pipe x 3" long collar; drill post ⑦ and collar for 3/8" bolt, drill additional holes in post for vertical adjustment