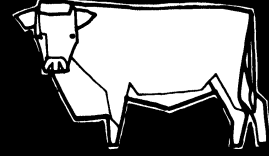




BRITISH
COLUMBIA

Ministry of Agriculture, Food and Fisheries

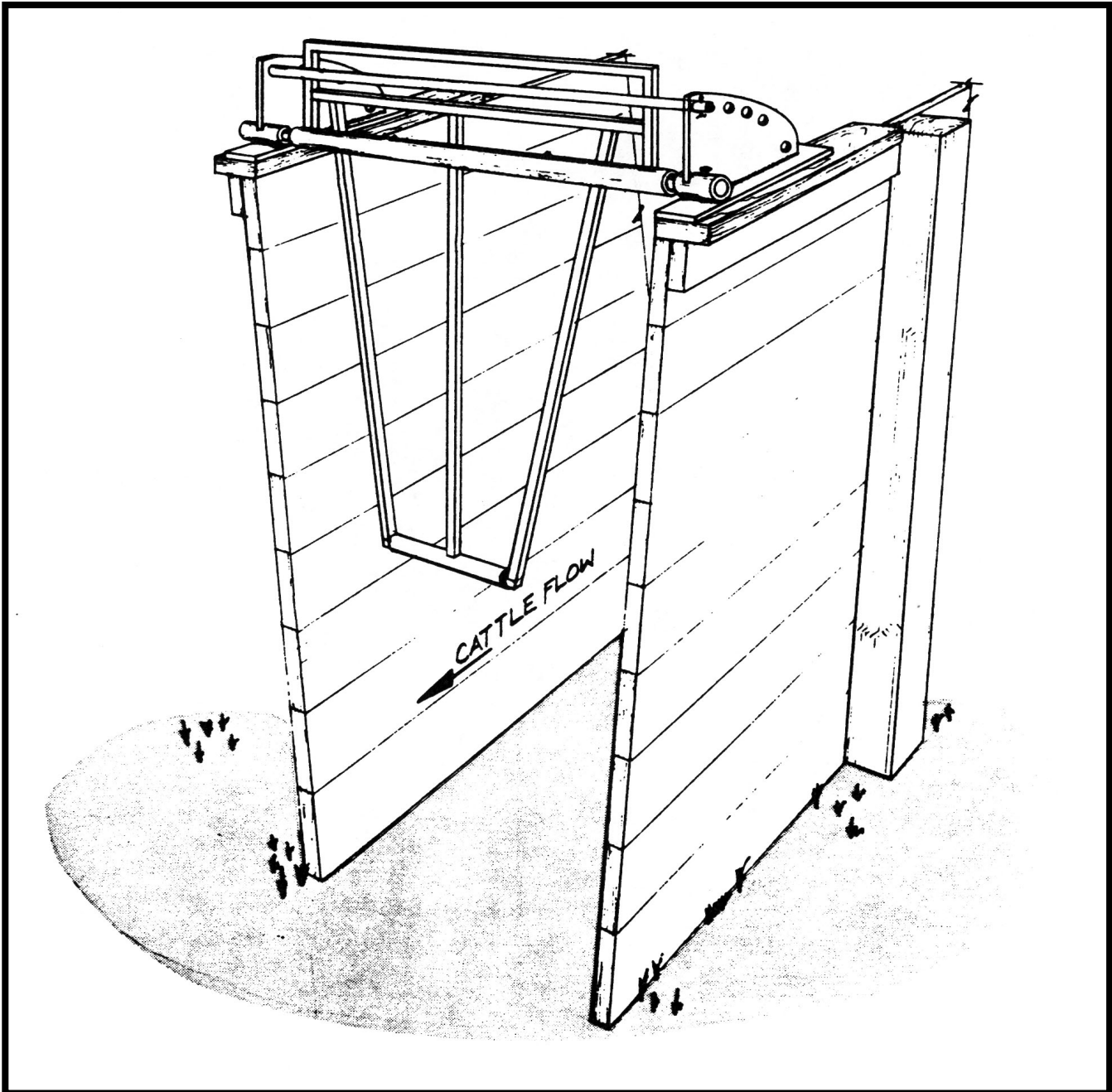
Agricultural Building Systems Handbook



PLAN

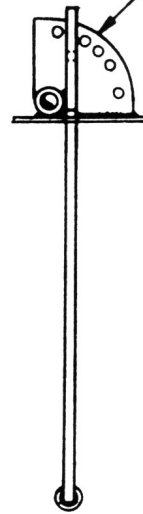
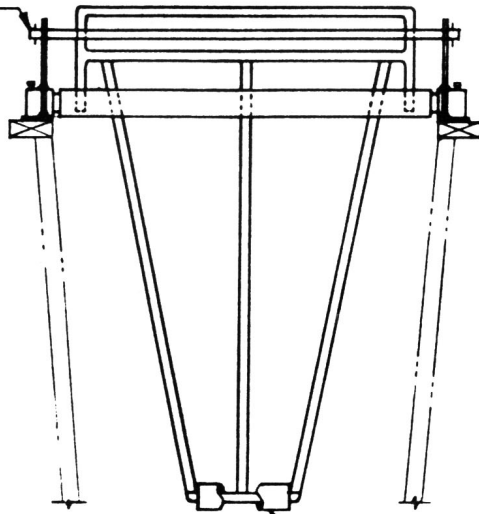
315-05

ONE WAY BLOCK GATE - ADJUSTABLE



STOPPER BAR 1/2" DIA.
3'-0" LONG WITH
COTTER PIN AT
EACH END.

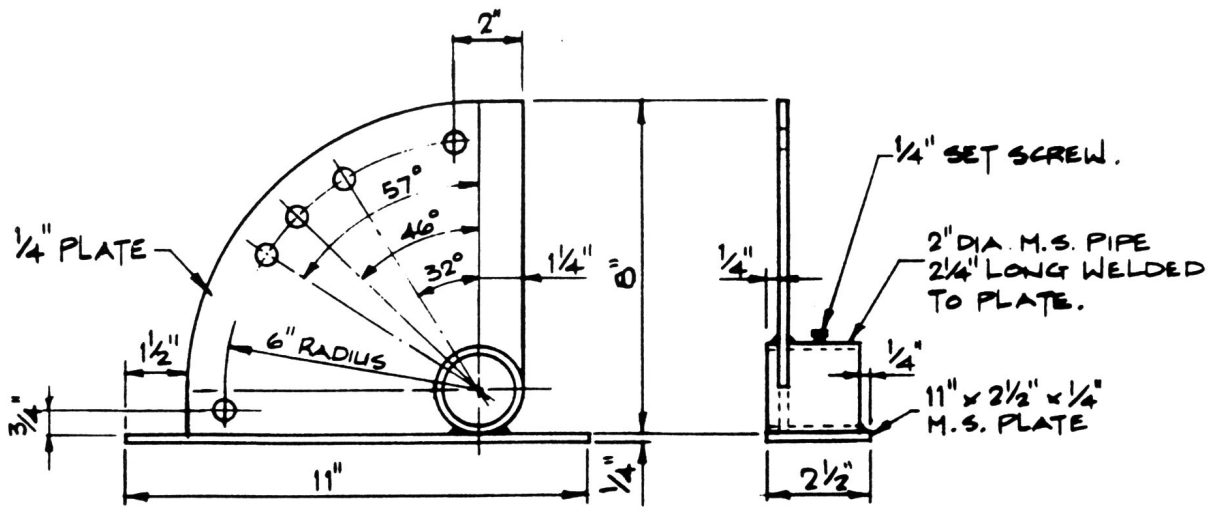
PIVOT PLATE
SEE DETAIL.



RUBBER PADDING OR
PIPE INSULATION.

FRONT VIEW

SIDE VIEW



PIVOT PLATE

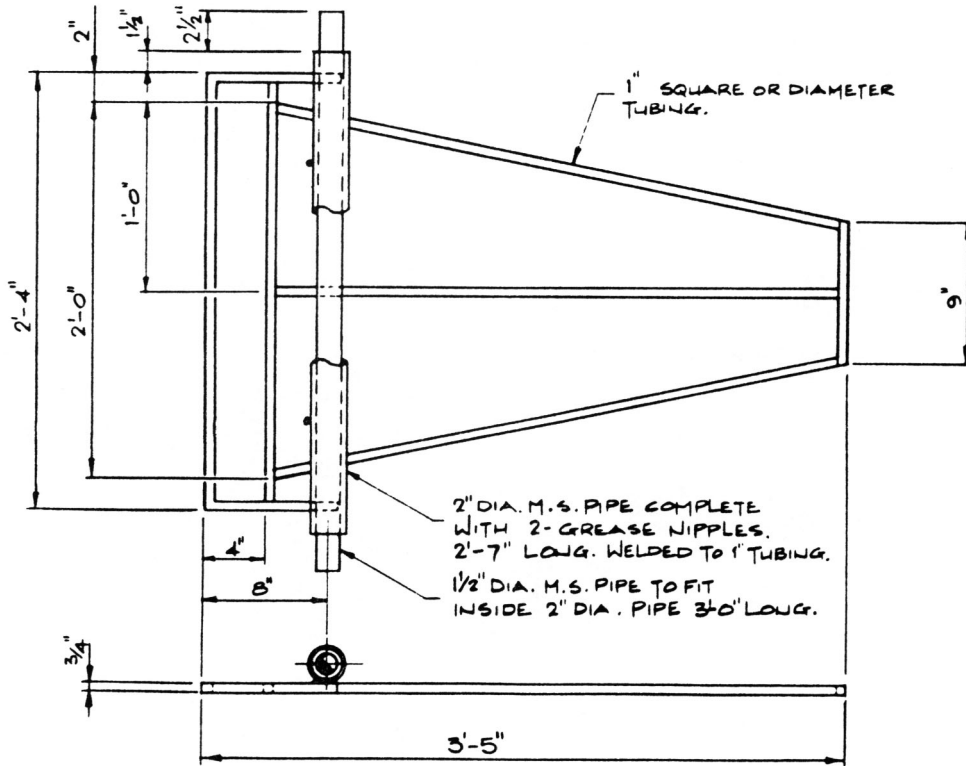
315-05

ADJUSTABLE ONEWAY BLOCKING GATE

This one-way blocking gate is a single device that facilitates cattle movement through a chute leading up to a squeeze, calf-table, scale or loading chute. It requires no attention from handlers and yet is effective to prevent cattle from backing up in the chute. Cattle have no problem walking under it as it rides over their backs and drops behind them.

This unit is easily welded out of 1" square or round steel tubing. The pivot plate has holes drilled to fit the 1/2" stopper bar. This allows the gate to be adjusted to various heights for different sizes of cattle.

Place the gate about 10 feet up from the crowd gate and about 10 feet down from the squeeze.



BLOCKING GATE