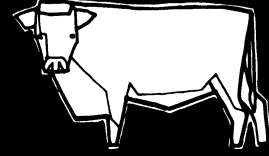




BRITISH  
COLUMBIA

Ministry of Agriculture, Food and Fisheries

Agricultural Building Systems Handbook

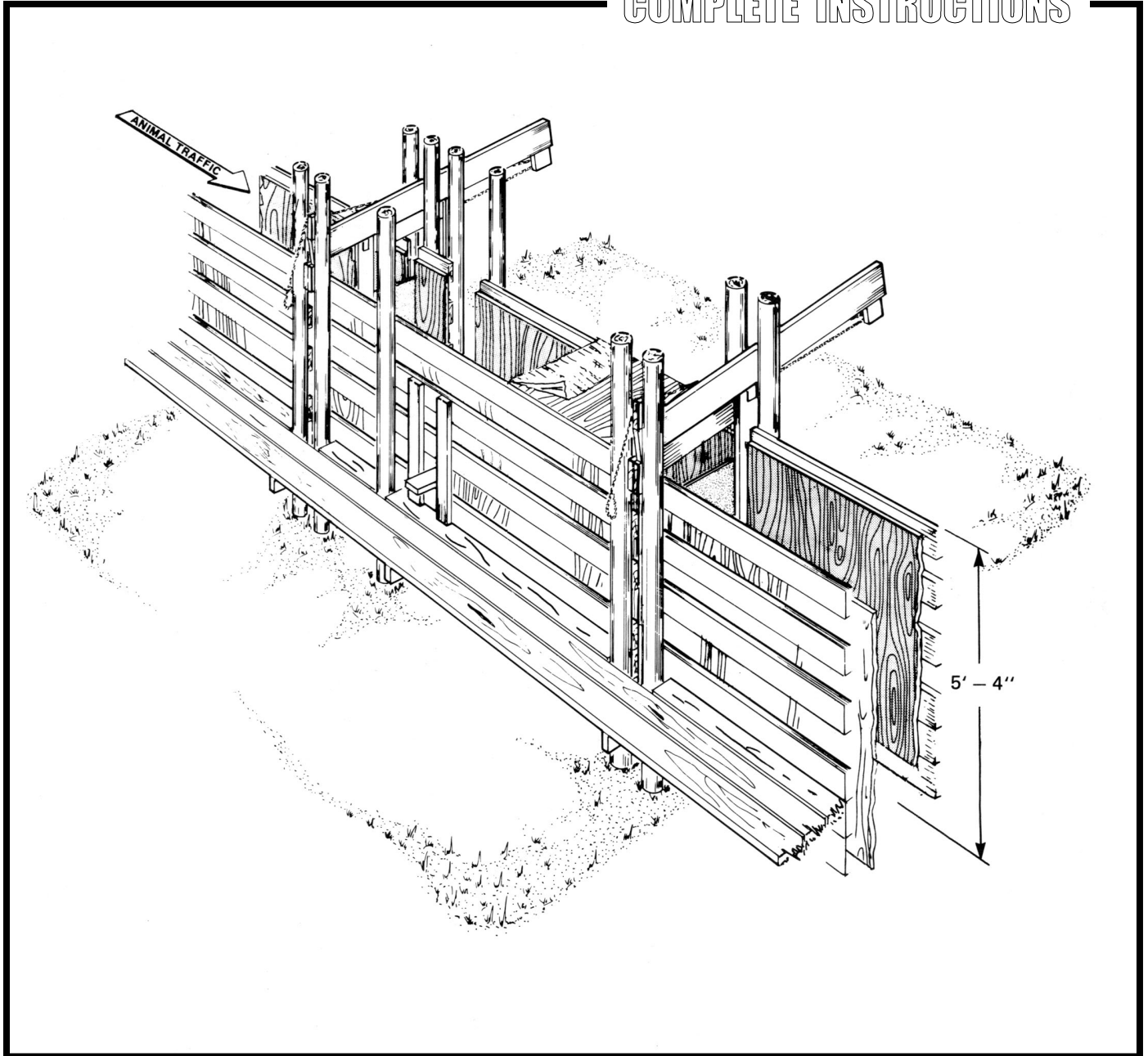


PLAN

315-72

# PREGNANCY TESTING & A.I. CHUTE

COMPLETE INSTRUCTIONS



DEVELOPED BY CANADA PLAN SERVICE

# 315-72

## PREGNANCY TESTING & A.I. CHUTE

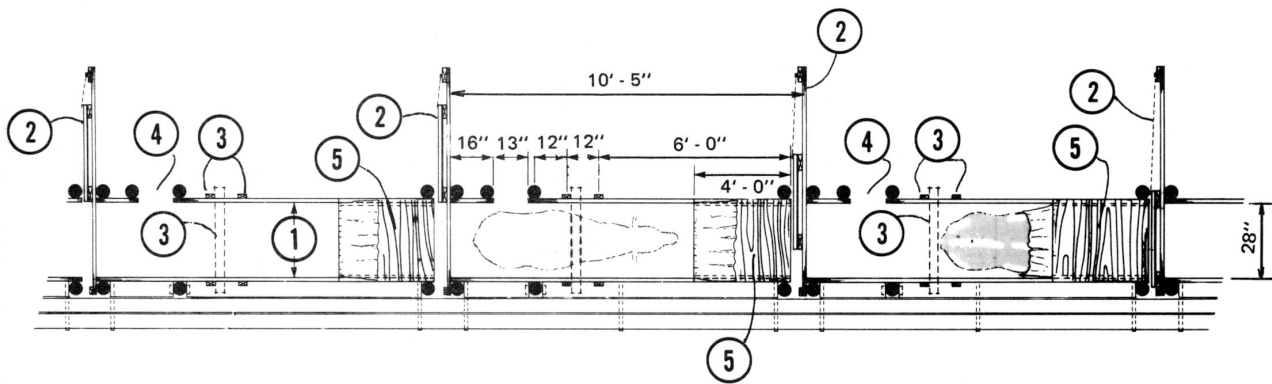
CPS  
PLAN 1818 REVISED 84:04

This chute is designed especially for pregnancy testing and artificial insemination (A.I.) with beef cow herds.

Three cows can be brought into position at one time by closing the blocking gates and placing a cross rail behind each animal. After servicing, the blocking gates are opened and the cross rails removed. You are now ready for three more cows; this allows an even flow of cattle through the chute. The cross rails can be put at three different places behind the solid blocking gate, to suit the size of the animals being tested (use only the solid gate from Plan 1814).

The 13 inch opening ④ will let a man enter safely behind the cow. Depending on the number of cow to be serviced and your available time, you can build any number of man openings and cow positions into this chute.

The chute's construction is shown in **315-03**. Build the catwalk on the side opposite the man openings. To keep the cows calm, covers should be built over their heads as shown.



- |   |  |   |  |
|---|--|---|--|
| 1 | working chute, 28" clear width with optional catwalk (see <b>315-03</b> )                        | 3 | 2" x 4" cleats, 2" x 4" cross rail   |
| 2 | blocking gate; slides on greased 1 1/4" pipe, or sliding barn door hardware (see <b>315-04</b> ) | 4 | man opening  |
|   |  | 5 | plywood covered area, top and sides, canvas or burlap curtain hangs at back of top |