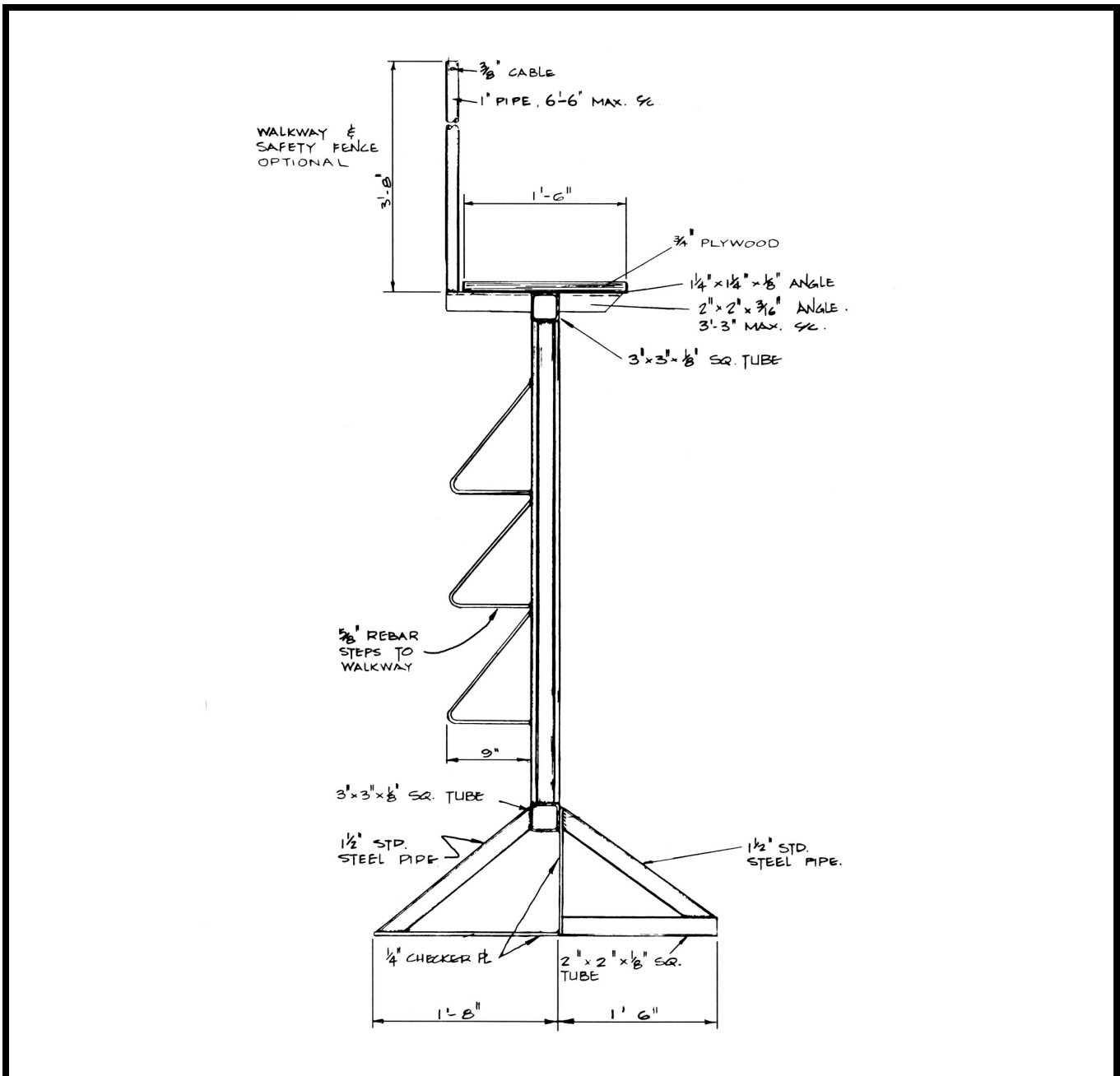


# BUNKER SILO FEED FENCE - WELDED STEEL CONSTRUCTION



**314-18**

**BUNKER SILO FEED FENCE –  
WELDED STEEL CONSTRUCTION**

This silo feed fence is for use inside a bunker silo where cattle are to be fed at the face of the silage. It is designed to control the wastage of silage and provide an individual feeding area. The walkway and safety fence is provided to allow easy forking down of feed from the silage face.

The feeder is constructed of 3 inch square tube and 1 1/2 inch pipe on a triangular frame of checker plate steel and 2 inch square tube. This design will prevent the feeder from being pushed over.