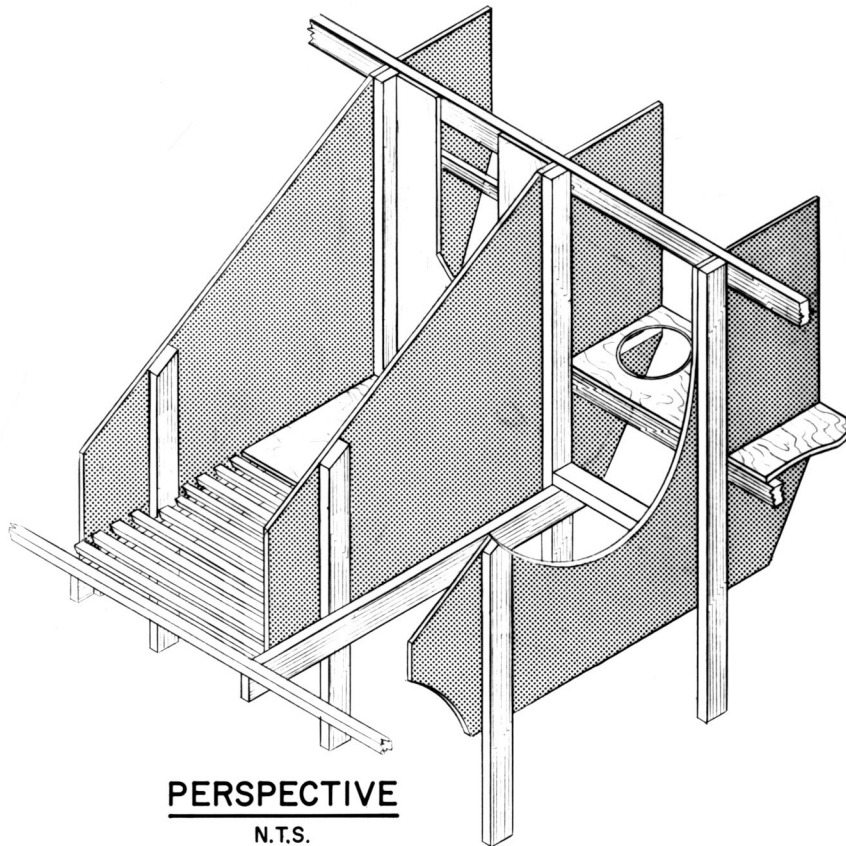
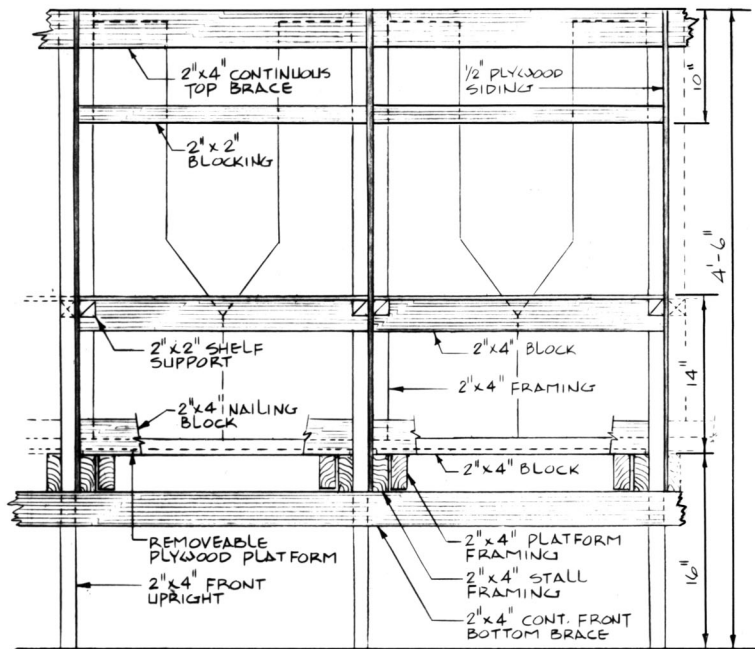
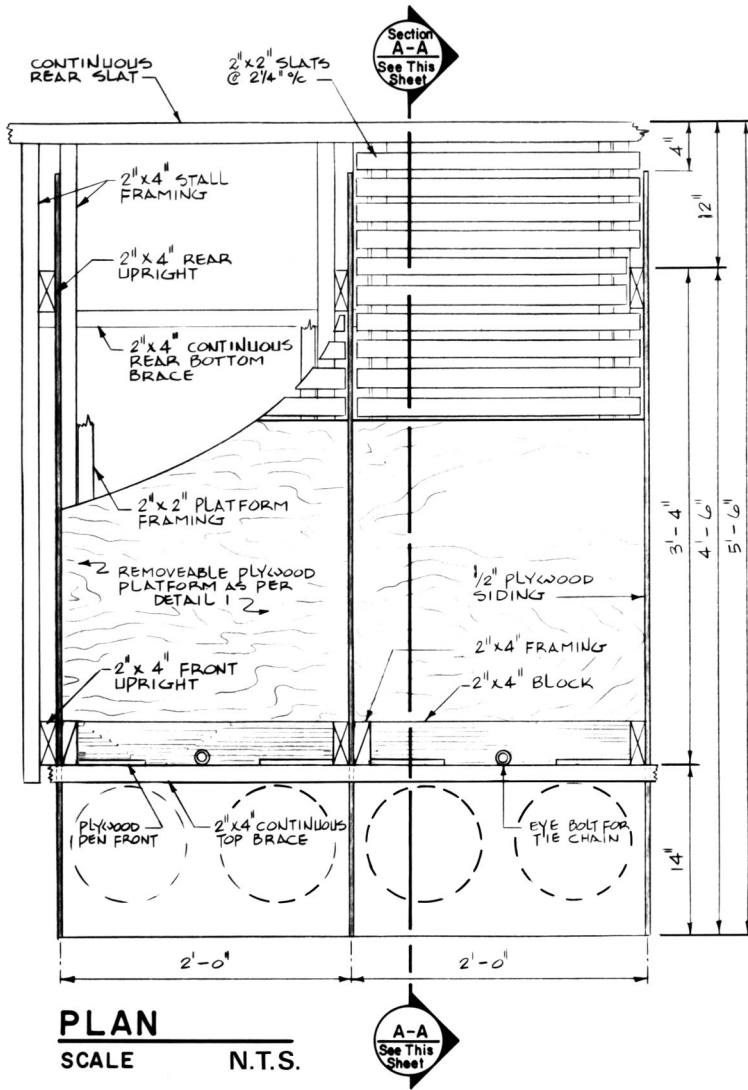


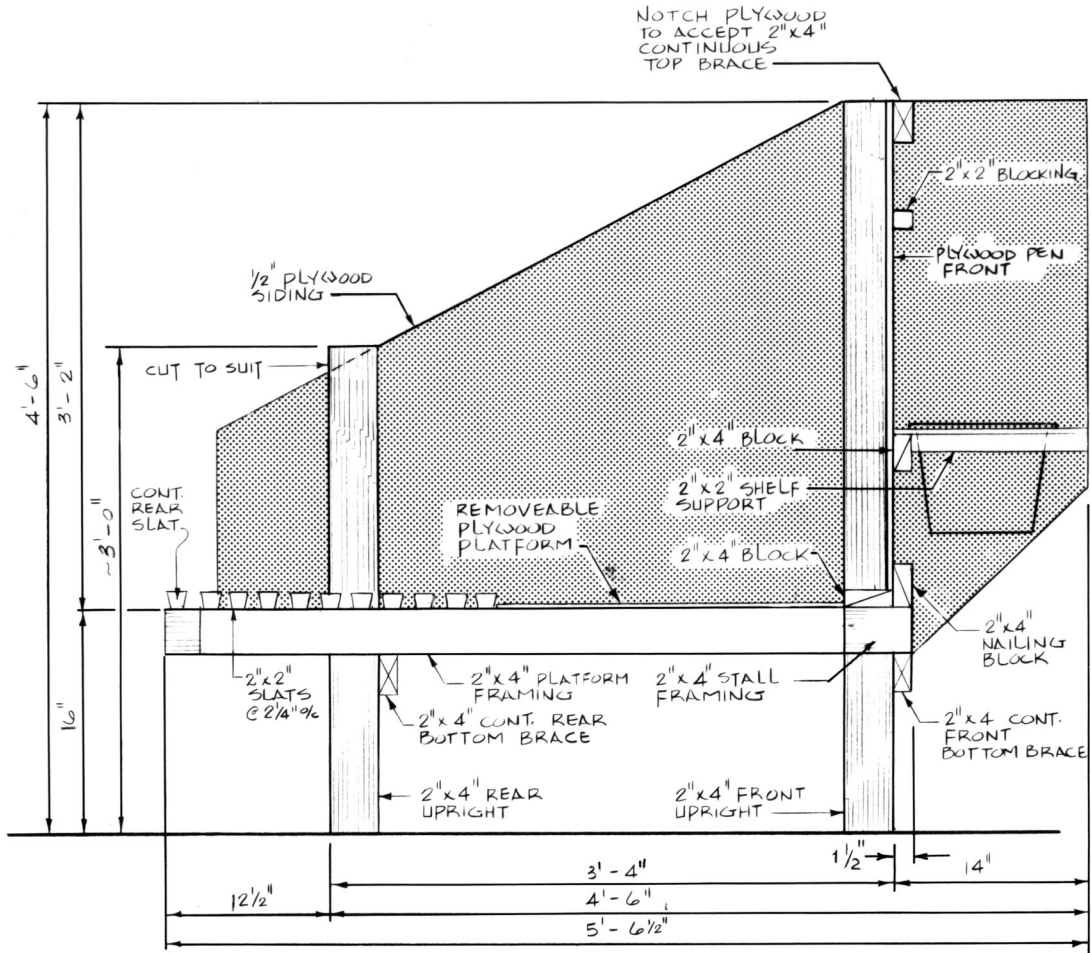
INDIVIDUAL CALF STALL - SLOTTED FLOOR



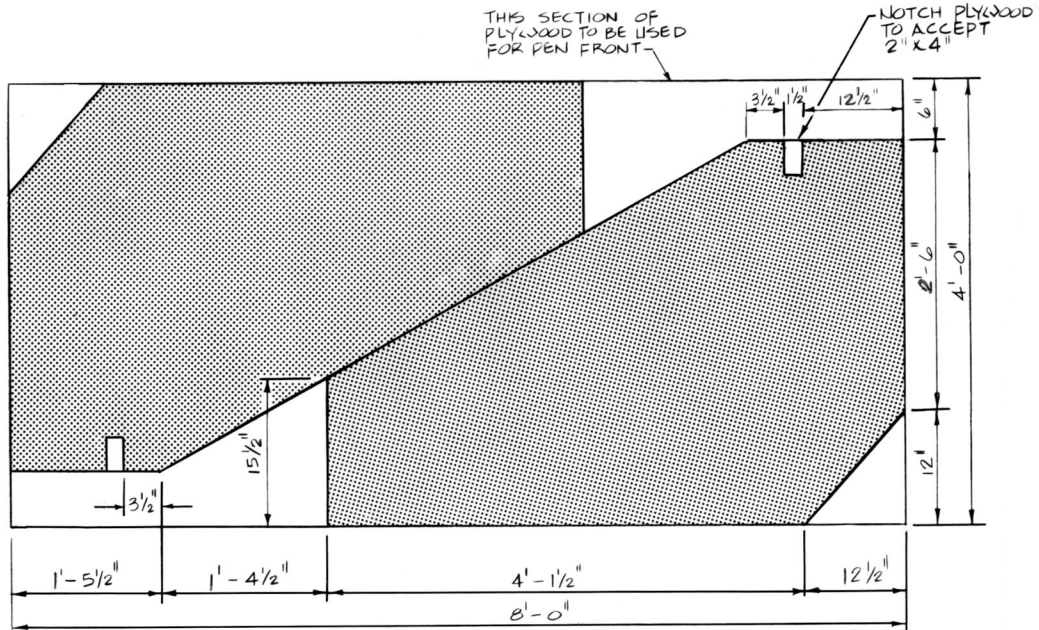
This plan gives details for making an elevated tie stall for young calves. The stalls can be used for dairy or veal calves at ages from birth to 3 or 4 months. These stalls are designed to give the young calf isolation and cleanliness, to control the suckling and nursing instinct, and to control the

common calfhood diseases when they are very young. The stalls can be built in multiples of 3 or 4 units. This makes them portable for moving if necessary. The floor is also easily removed for cleaning and disinfecting.

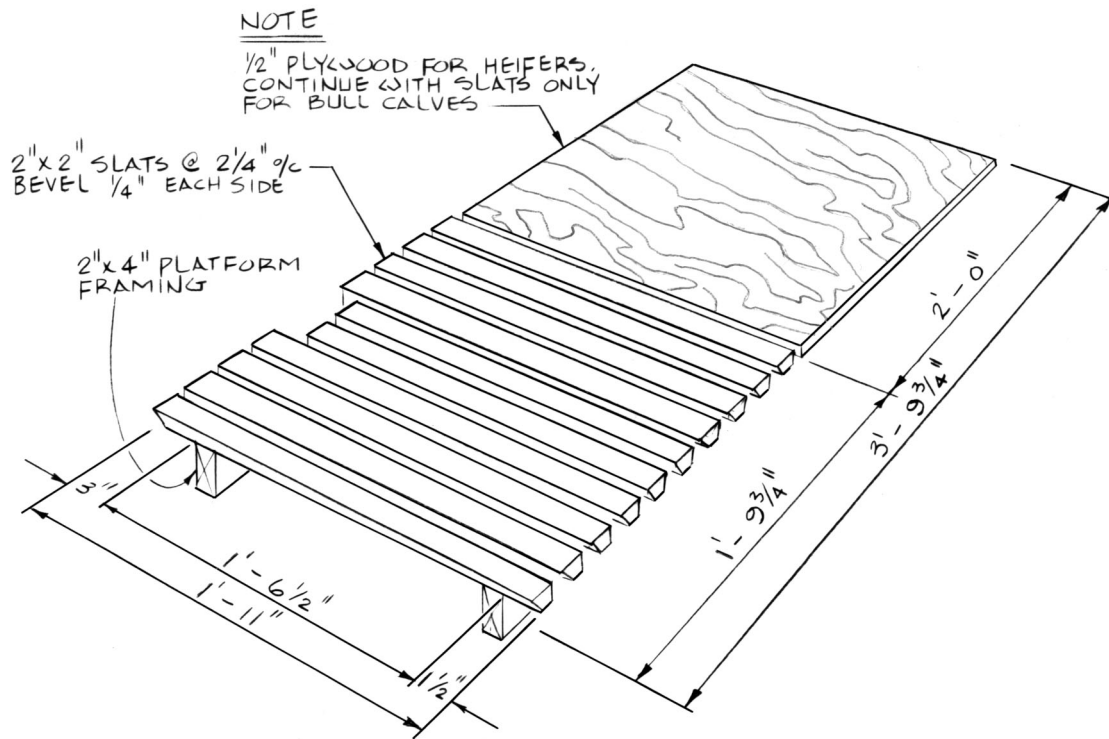




Section A-A From This Sheet **CROSS-SECTION A-A** SCALE N.T.S. Section A-A From This Sheet



PLYWOOD CUTTING DETAIL
SCALE N.T.S.



PLATFORM — DETAIL I

N.T.S.