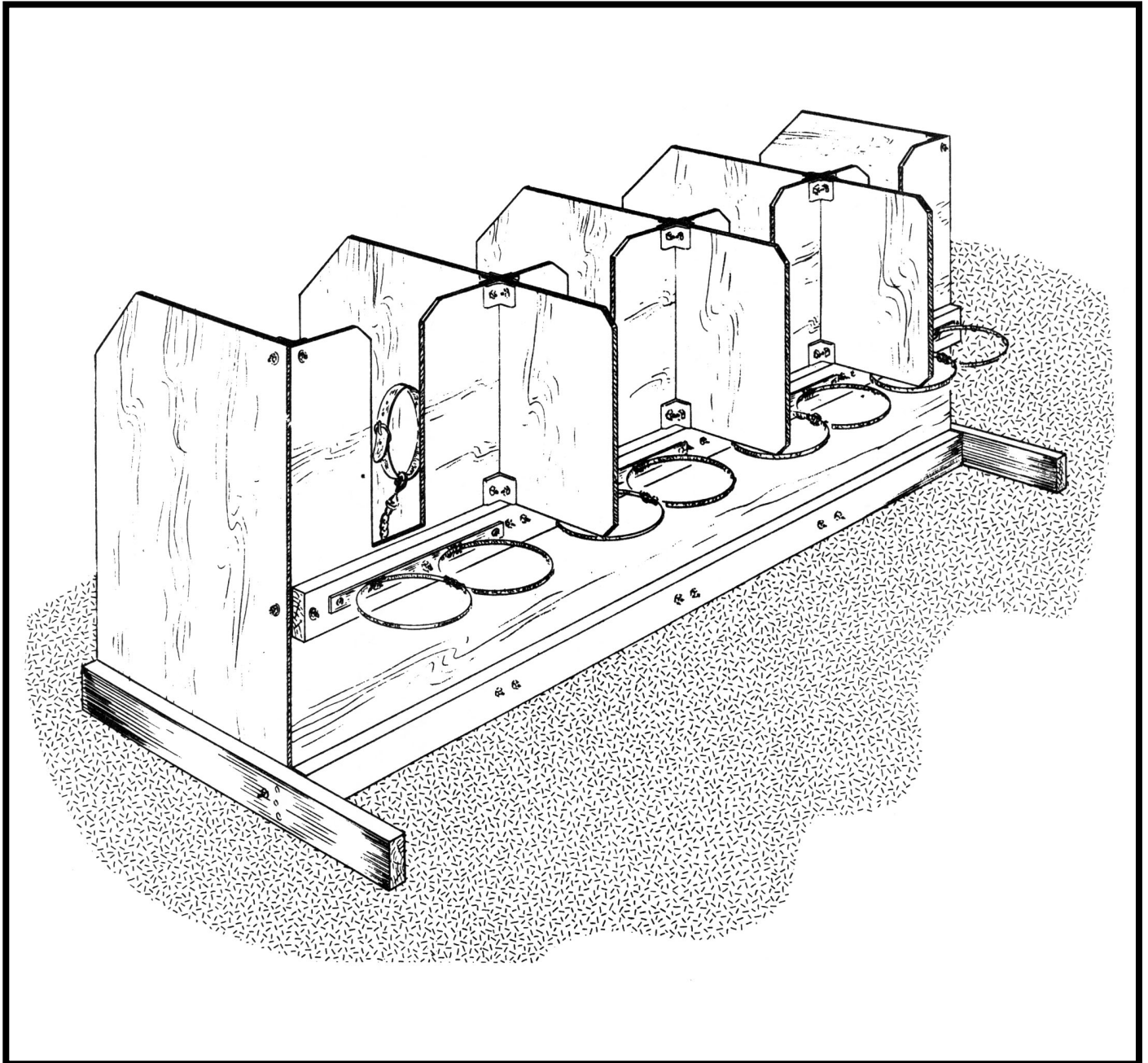


PORTABLE TIE STALL UNIT FOR CALVES



DEVELOPED BY CANADA PLAN SERVICE

PORTABLE TIE-STALL UNIT FOR CALVES

CPS
 PLAN 2831 NEW 3:76

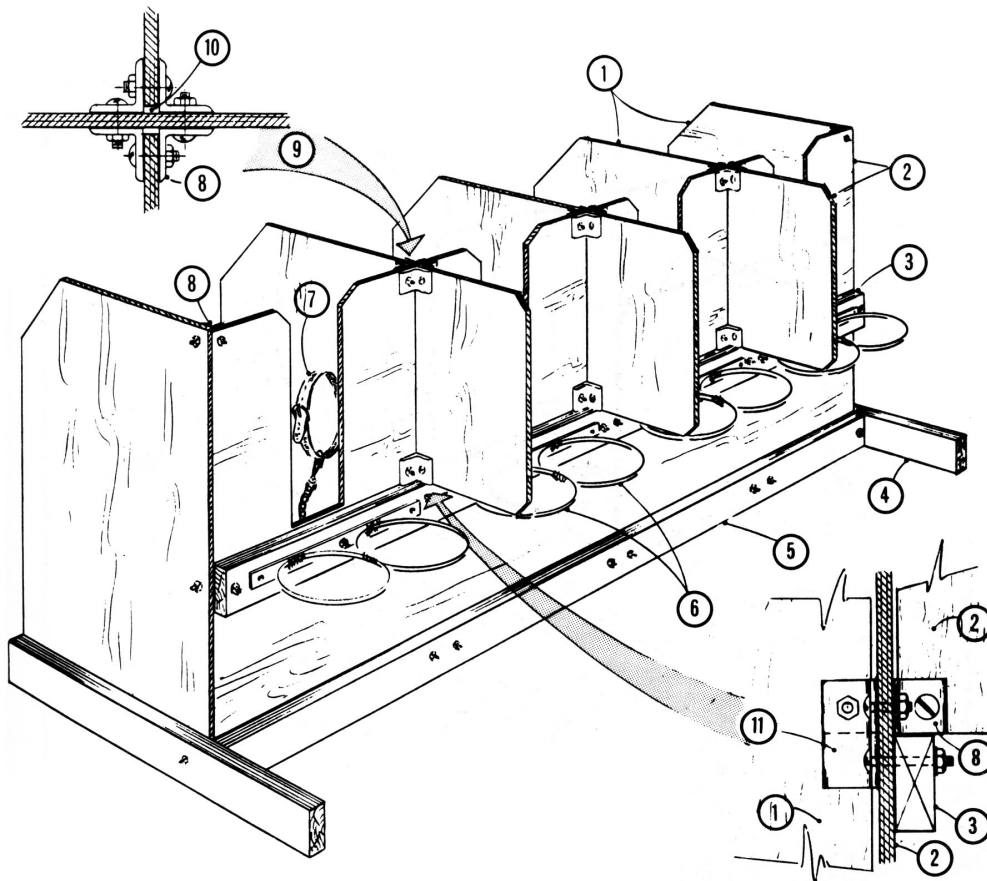
This leaflet gives details for making an inexpensive group stall unit for 4 young calves. Use this for separating baby calves for several weeks, or until they lose the suckling and nursing instinct. The stalls are big enough to house dairy calves up to 12 weeks of age. This eliminates the need for a special barn area for baby calves since a conventional calf pen can be converted to an area for individual calf stalls simply by

adding the stall unit. When no longer required the unit can be removed and the pen used for older calves.

Make the stalls from 2 sheets of exterior sheathing fir plywood. Assemble with steel angle clips and plates stove bolts in case it has to be taken apart for repairs or cleaning. Tie calves with an adjustable leather neck strap, swivel snap and chain.

To use the portable tie-stall unit, put it in the calf or heifer pen (or in a fenced-off area of a pole barn) and lift as bedding is added to the manure pack. When used in a bedded pole barn, the unit can be moved a few feet to a drier location each day.

For both dry and liquid diets, feed in easily-washed plastic pails which fit into two steel hoops at each stall front.



- 1 rear dividers, 1/2" plywood
- 2 front panels & front dividers, 1/2" plywood
- 3 stiffener, 2" x 4" x 8'-0"
- 4 skids, 2" x 4" x 3'-0", nails from 2
- 5 frame, 2" x 4" x 8'-0"
- 6 steel rod, 3/8" diam. (size of hoop to suit pails); weld to 1/4" x 1" x 18" steel strap; bolts to 3
- 7 calf neck strap, chain to 3/8" x 3" long plated eye bolt thru 2, 3 and 6
- 8 steel angle 1/8" x 2" x 2" cut 2" long, make 33, drill for 1/4" round head plated stove bolts (1" or 2 1/2" as req'd.)
- 9 typical detail of connection
- 10 1/4" space for cleaning
- 11 section showing connection of stiffener 3, front face 2 using 4" long steel angle 8, make 3

