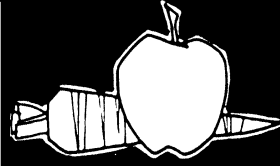




BRITISH  
COLUMBIA

Ministry of Agriculture, Food and Fisheries

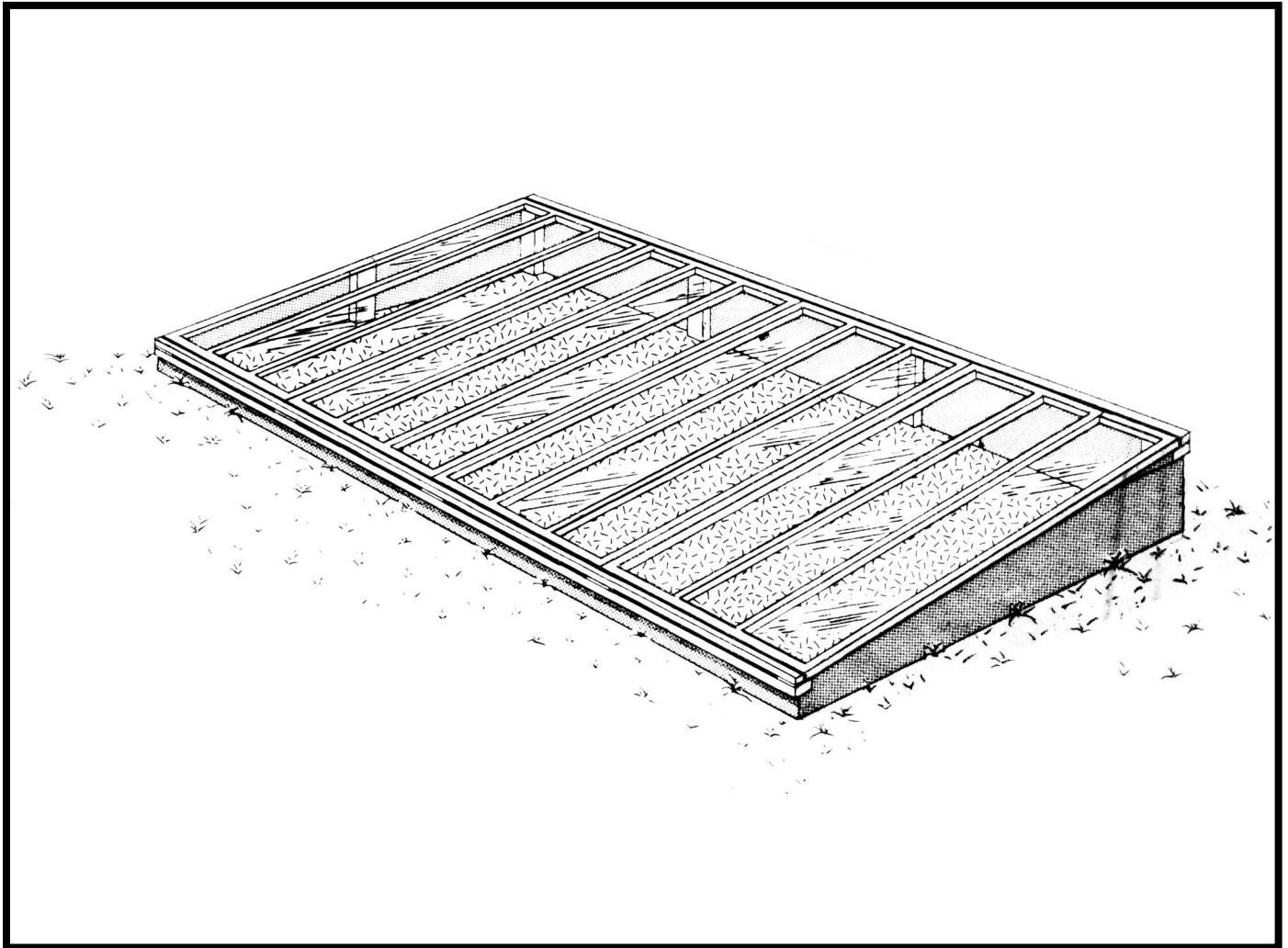
## Agricultural Building Systems Handbook



PLAN

334-10

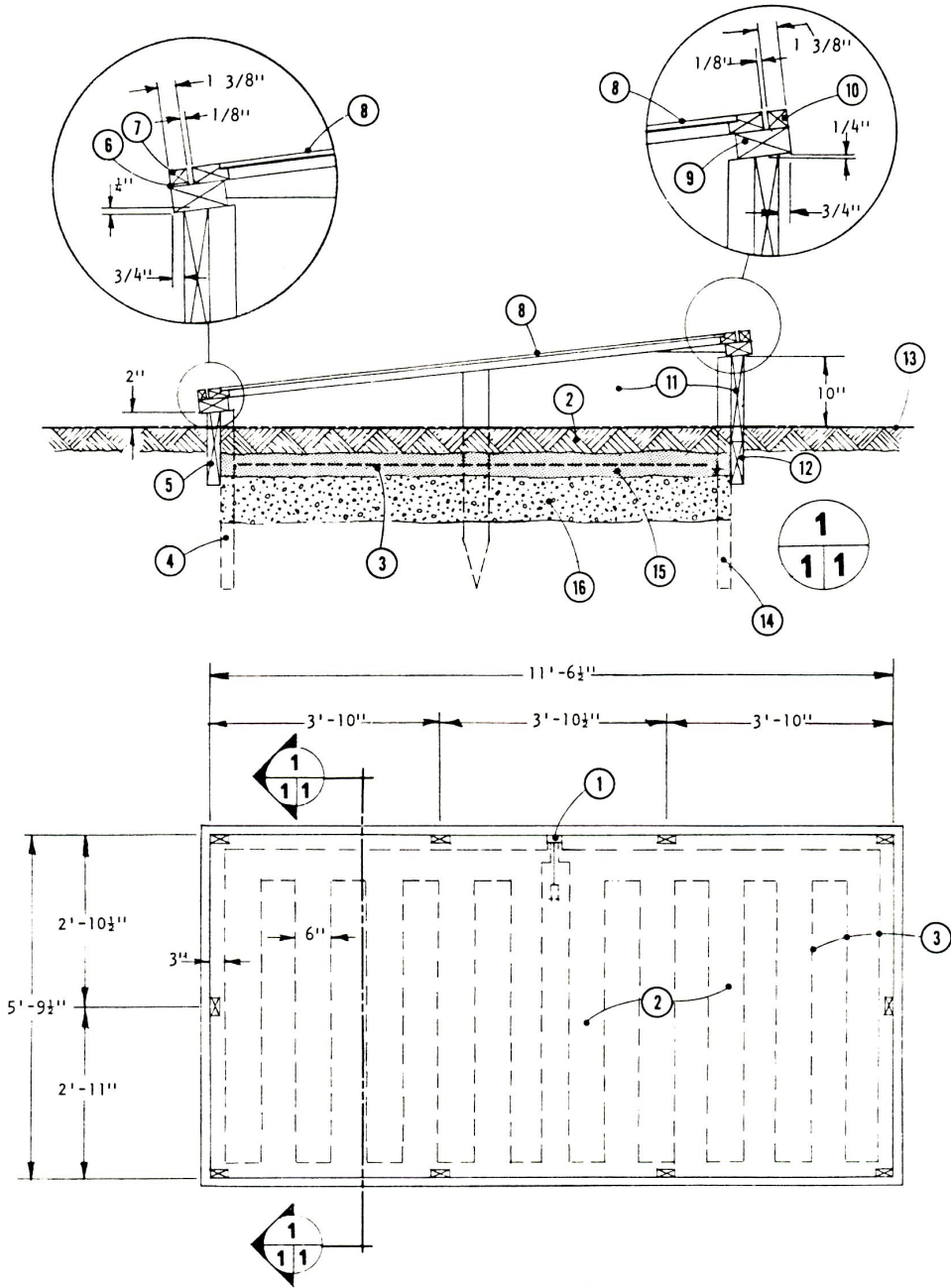
# HOTBED AND COLDFRAME



DEVELOPED BY CANADA PLAN SERVICE

HOTBED AND COLDFRAME

CPS  
PLAN 6119



17

- |  |                           |
|--|---------------------------|
| 1. thermostat with bulb                              | 11. 2" x 12"              |
| 2. 4" soil   | 12. 2" x 6"               |
| 3. electric heating cable                            | 13. grade                 |
| 4. 2" x 4" x 2'-0" stake                             | 14. 2" x 4" x 2'-8" stake |
| 5. 2" x 10"  | 15. 3" sand               |
| 6. 3/8" x 1 3/8" x 6" drip slot spacer block, 5 only | 16. 6" gravel             |
| 7. 1" x 1 3/8" stop strip                            | 17. plan                  |
| 8. standard 3'-0" x 6'-0" greenhouse sash            |                           |
| 9. 2" x 4" plate                                     |                           |
| 10. 1 3/8" x 3/8" stop strip                         |                           |

NOTE: sides and ends to be banked up with straw etc. when unit is in operation.