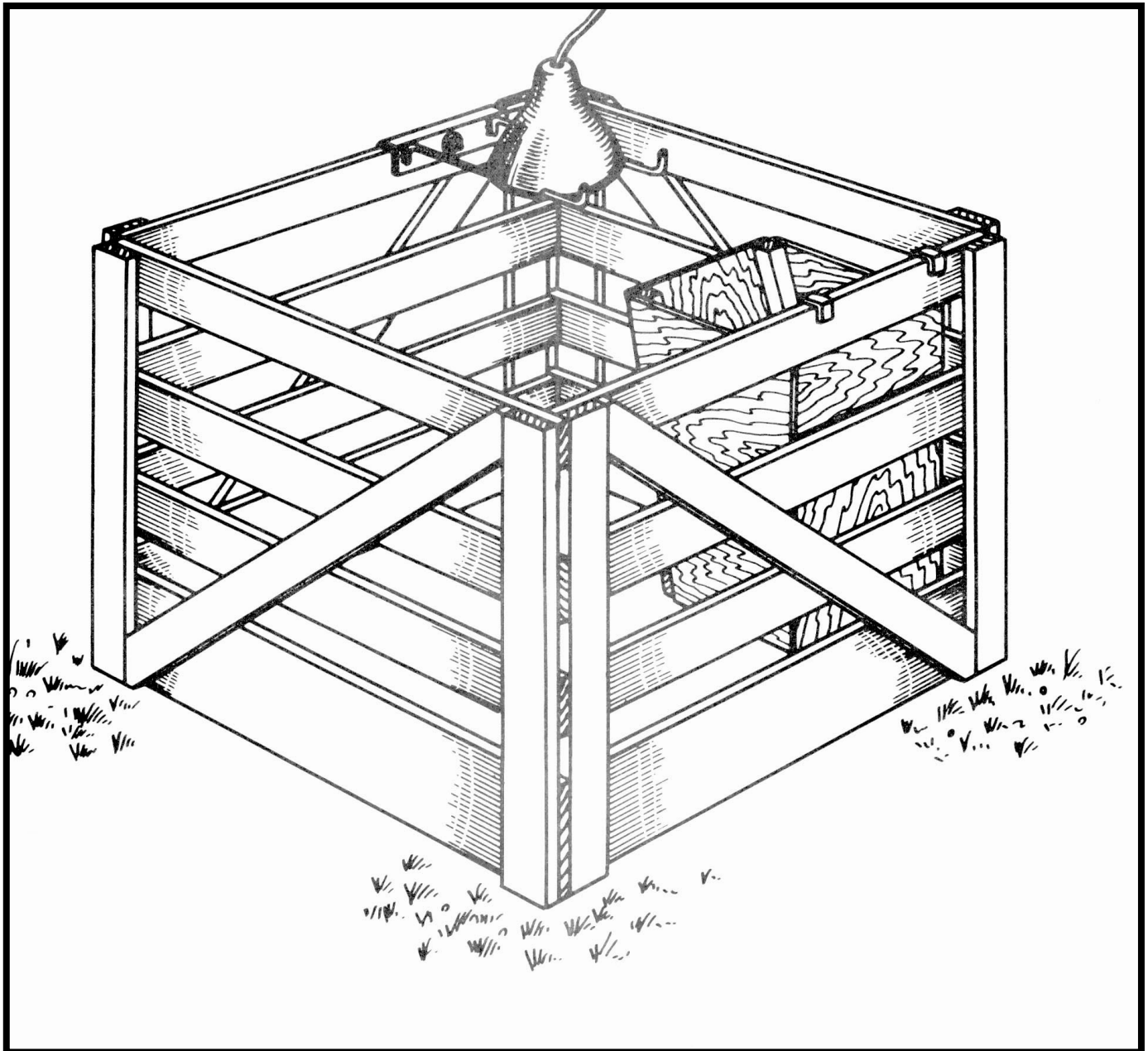


# PORTABLE LAMBING PEN PANEL WITH EQUIPMENT



DEVELOPED BY CANADA PLAN SERVICE

## PORTABLE LAMBING PEN PANEL WITH EQUIPMENT

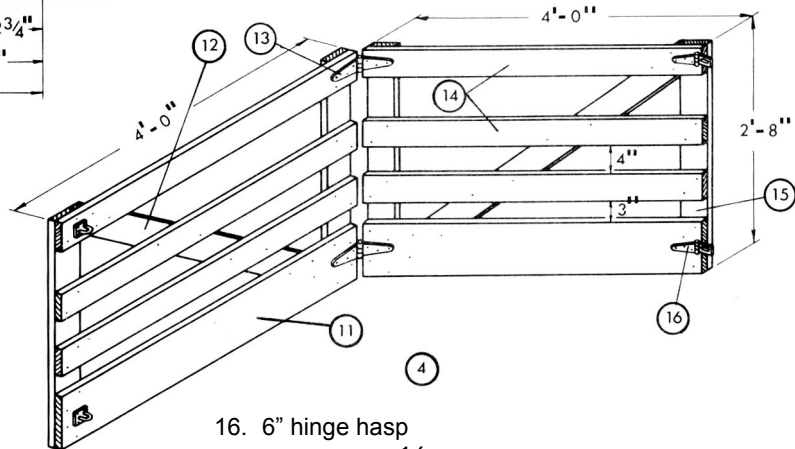
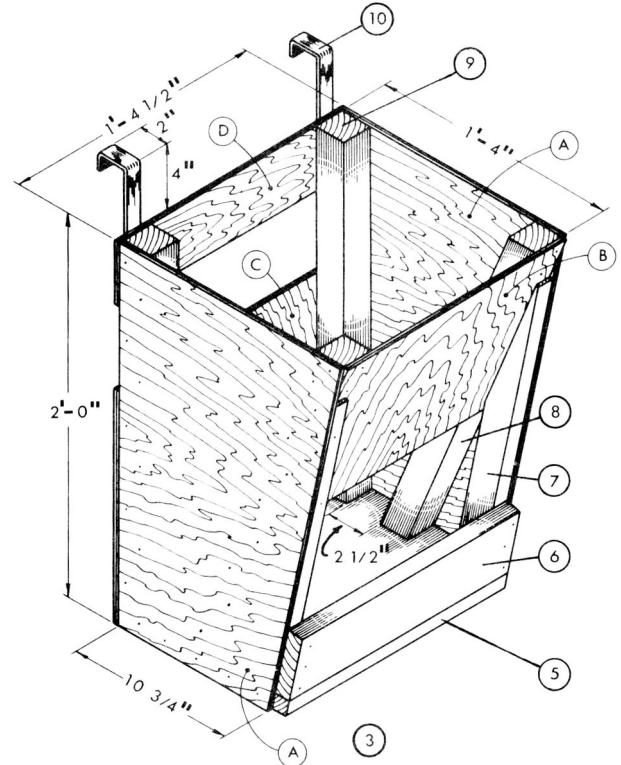
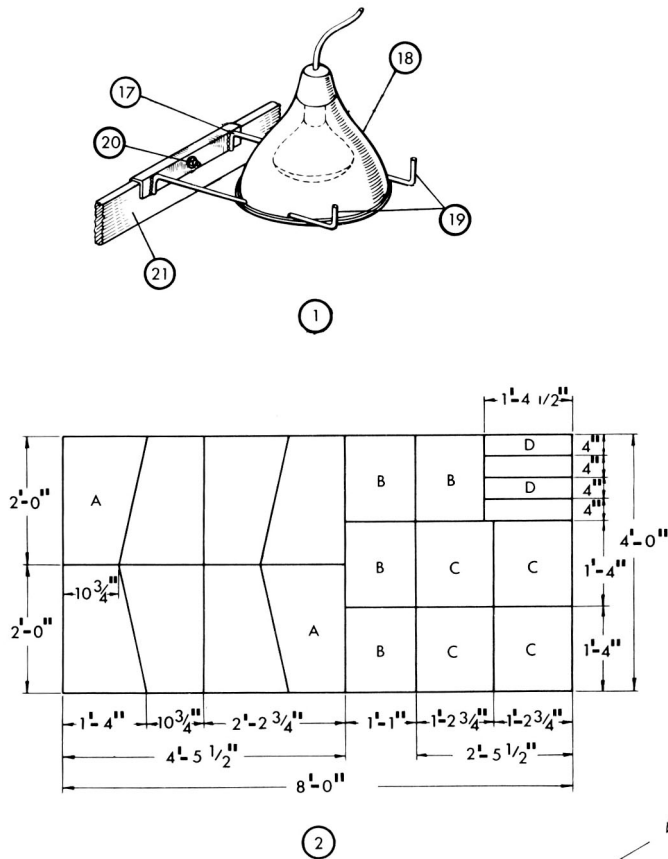
CPS  
PLAN 4221

This leaflet shows details for a lambing pen panel, a ewe hay rack and a brooder lamp support.

The braced lambing pen panel is made from 1 by 4 inch lumber. Each panel consists of two sections joined by strap hinges. Two hasps are fastened to each panel, the clasps to one end and the staple to the other. Two panels joined together by these hasps form a pen.

The ewe hay rack hangs by steel straps from one end of the pen. It is made from 1/4 inch plywood and lumber framing.

The brooder lamp support clamps to a pen side also. It is made from 1/8 inch steel rod and 1/8 inch steel plate.



- brooder lamp support detail
- cutting diagram for 4 racks ( 1/4" plywood
- ewe hay rack
- lambing pen panel
- 1" x 12" x 1'-4" bottom
- 1" x 4" x 1'-4" keeper
- 1" x 2" x 2'-0" cleat
- 2" x 2" x 2'-2 1/2" brace
- 2" x 2" x 2'-0" upright
- 1/8" x 1" x 1'-0" strap iron
- 1" x 8" x 4'-0" bottom rail
- 1" x 4" brace
- 6" strap hinge
- 1" x 4" -0" rail
- 1" x 4" x 2' -8"
- 6" hinge hasp
- weld rod to 1/8" x 3" x 10" plate, bend to fit over 1" x 4" top rail
- 250 w. heat bulb and reflector
- 1/4" x 1' -8" rod
- 1/4" x 1 1/2" carriage bolt, nut & washer
- top board of lambing pen