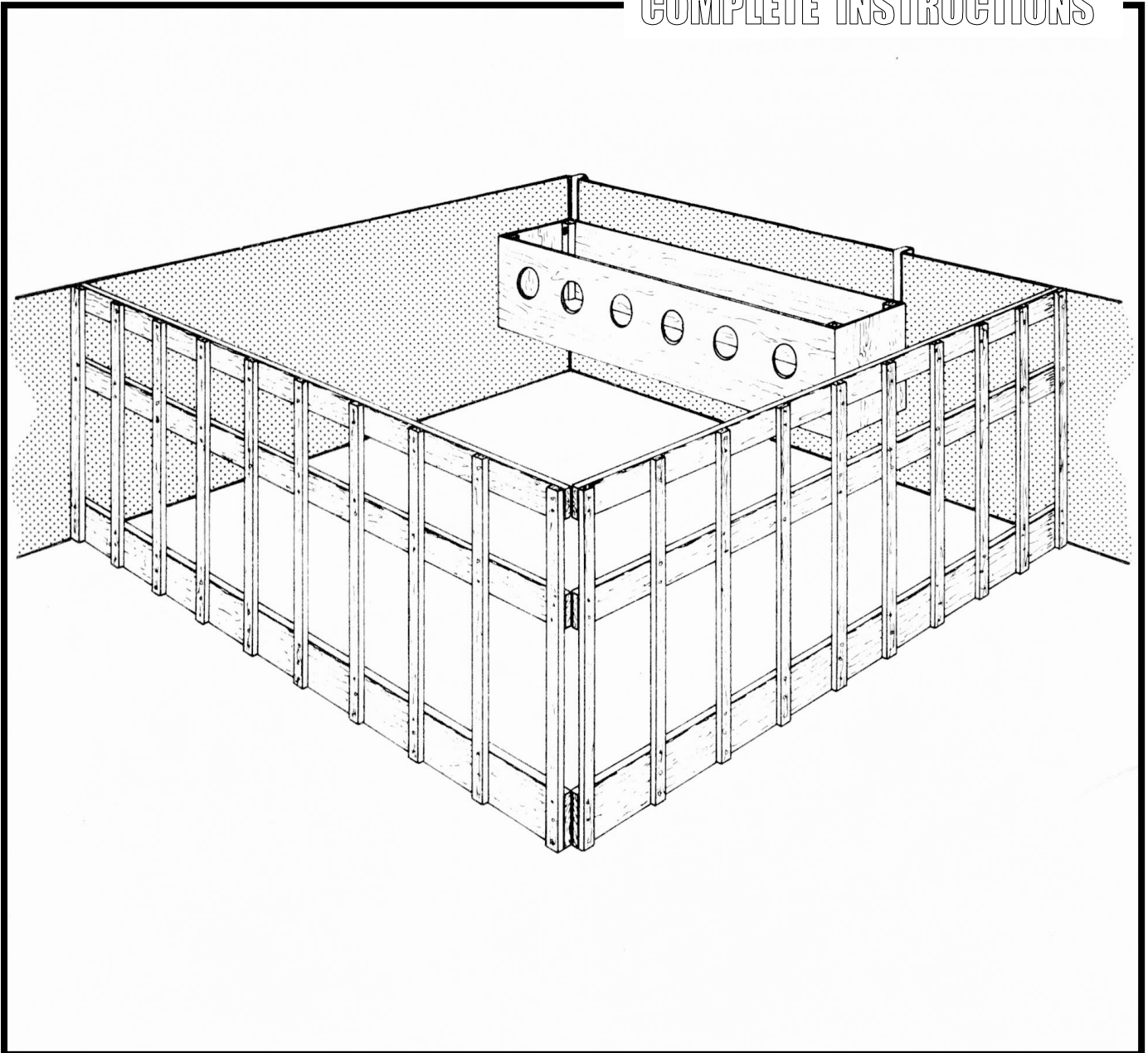


LAMB CREEP FEEDER

COMPLETE INSTRUCTIONS



DEVELOPED BY CANADA PLAN SERVICE

352-13

LAMB CREEP FEEDER

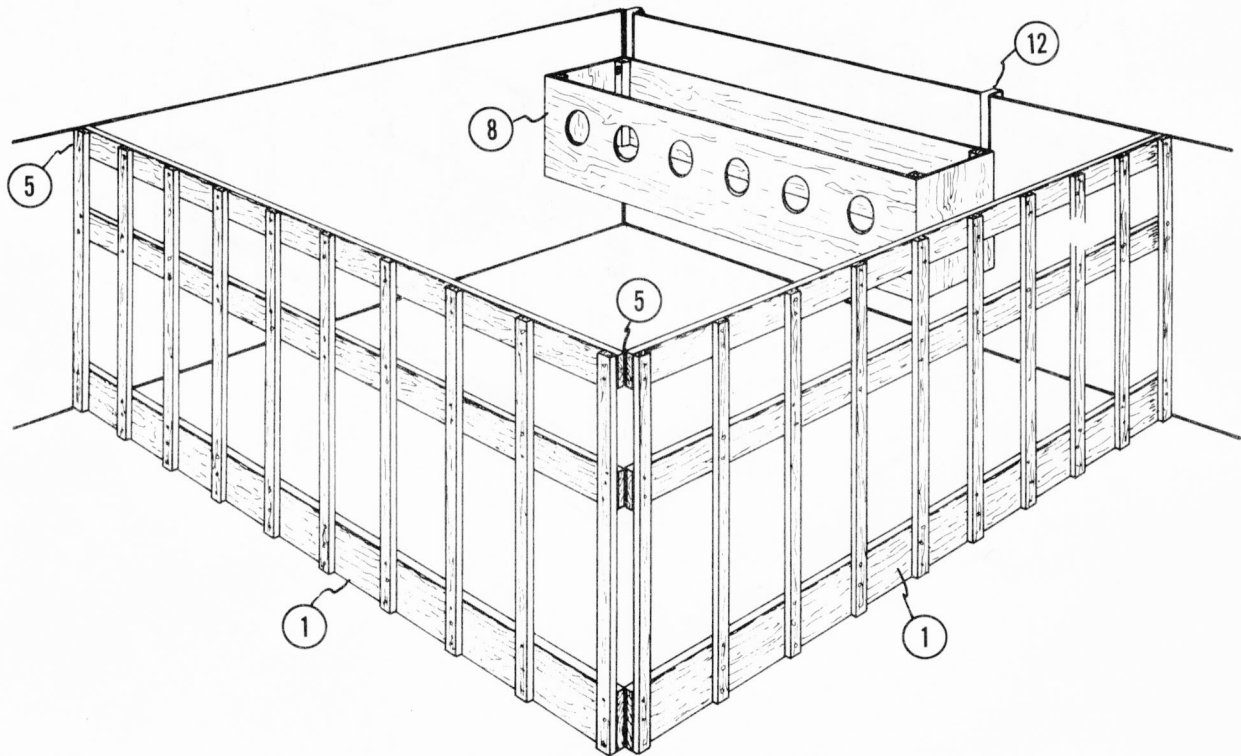
CPS

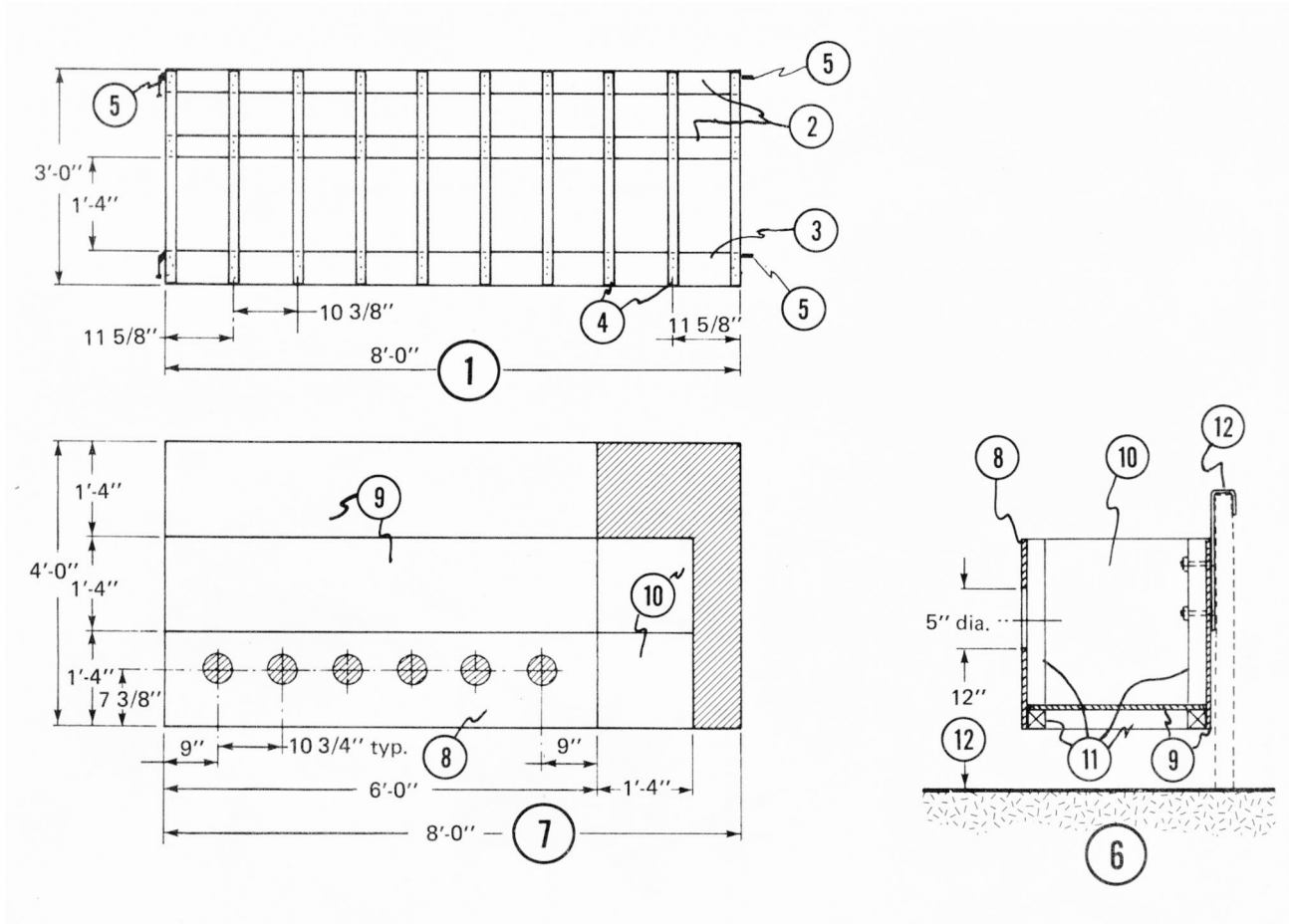
PLAN 4623 NEW 84:07

The creep consists of two 8 ft. sections hinged together so that a pen is formed when the sections are attached to two adjacent partitions in the sheep barn.

The panels are constructed of 1 inch boards and are easy to lift and store and yet have adequate strength to allow separation of the lambs and ewes.

The lightweight portable lamb feeder as shown fastens to the pen partition by two truck hooks and fasteners. The feeder minimizes feed contamination and is readily removed for cleaning.





1. creep panel, 2 req'd per unit
2. 1" x 2" x 8'-0" top pieces
3. 1" x 6" x 8'-0" bottom pieces
4. 1" x 2" x 3'-0" dividers
5. truck box hooks and fasteners (permanently attached to creep panels and barn walls)
6. section of feeder showing assembly
7. 1/2" plywood cutting detail
8. feeder front, with 6 – 5" diam. holes as located
9. feeder, back and bottom
10. feeder, ends
11. 2" x 2" stiffeners
12. 2 hooks, from 1/4" x 1 1/2" flat bar, bend to suit pen partition, fasten to (11) through feeder back with 3/8" bolts; keep feeder at proper feeding height from floor