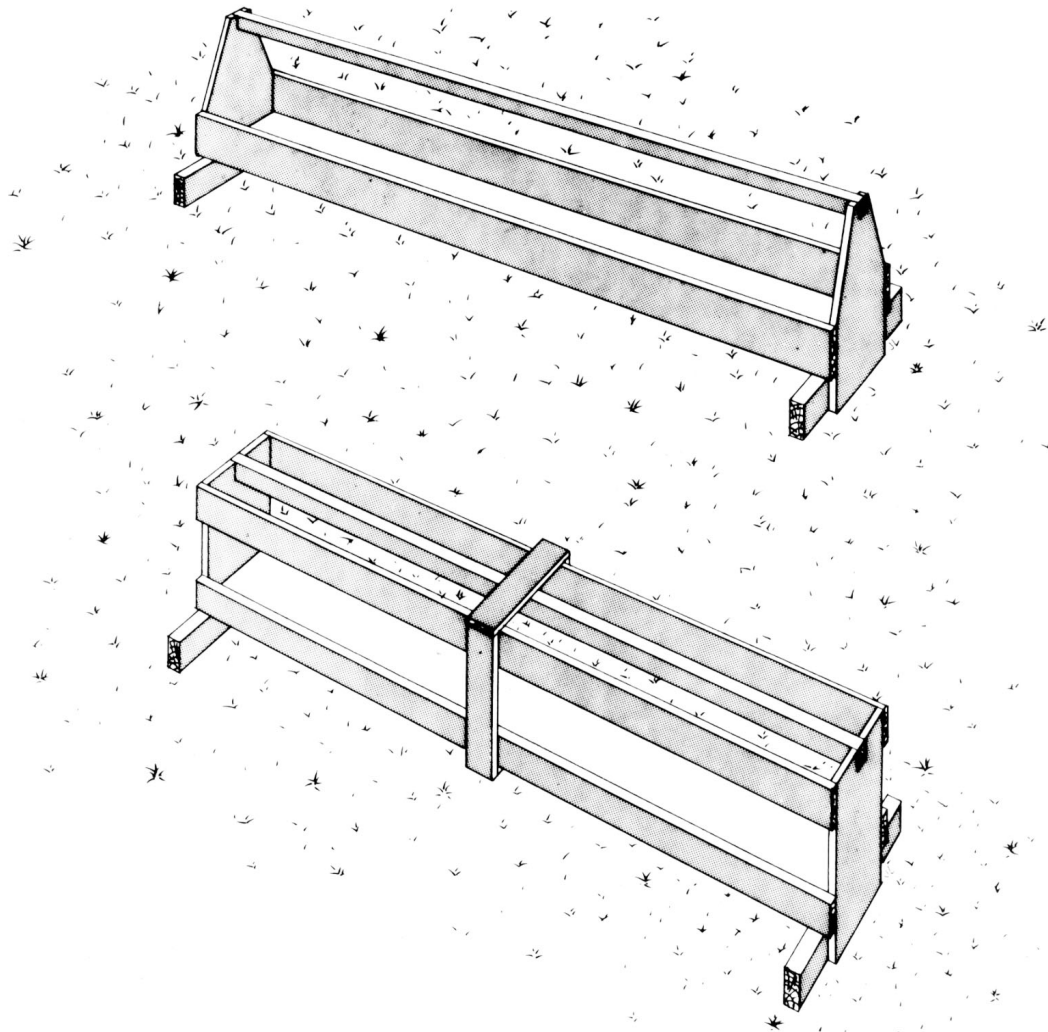


## GRAIN FEEDERS FOR LAMBS



The back of this leaflet gives details for building two simple grain feed troughs suitable for lambs. These feeders may be located in field, feedlot or finishing pen. Each foot of double-sided feeder length will serve two lambs (group feeding all at once) or 6 lambs if self-fed continuously.

Cross-piece supports under each end prevent overturning and headrails at the top discourage lambs from running through the feed.

DEVELOPED BY CANADA PLAN SERVICE

# GRAIN FEEDERS FOR LAMBS

CPS

PLAN 4615

NEW 8:75

- |                                 |                             |
|---------------------------------|-----------------------------|
| 1. 2" x 2" x 8'-0" Top rail     | 5. 2" x 4" x 2'-0" skid     |
| 2. 1" x 12" end                 | 6. 2" x 4" x 8'-0" top rail |
| 3. 1" x 6" x 8'-0" sides        | 7. 1" x 4" x 8'-0" sides    |
| 4. 1" x 12" x 7'-10 1/2" bottom | 8. 1" x 4" stiffener        |

