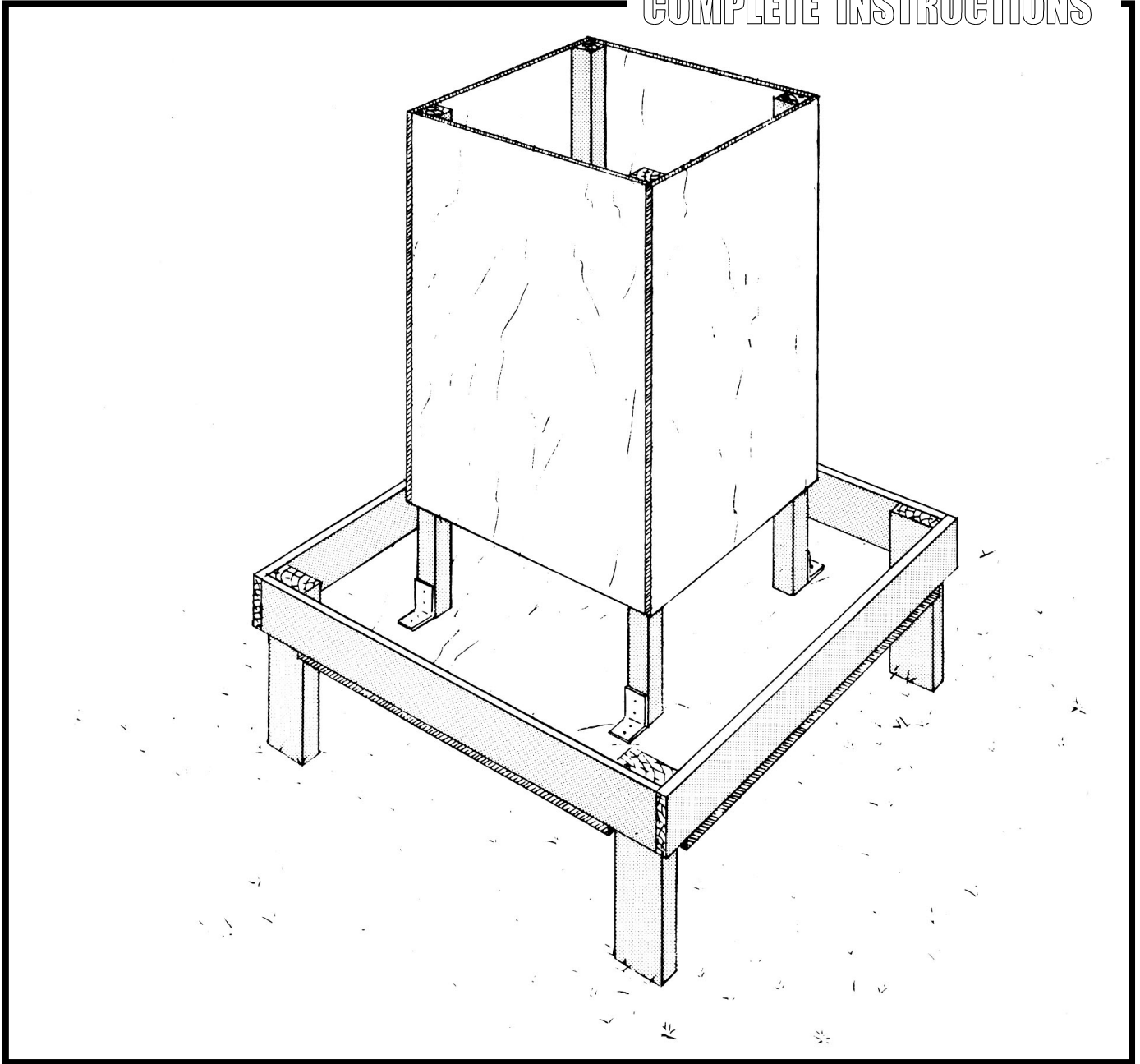


BALED HAY FEEDER

COMPLETE INSTRUCTIONS



DEVELOPED BY CANADA PLAN SERVICE

352-23

BALED HAY FEEDER

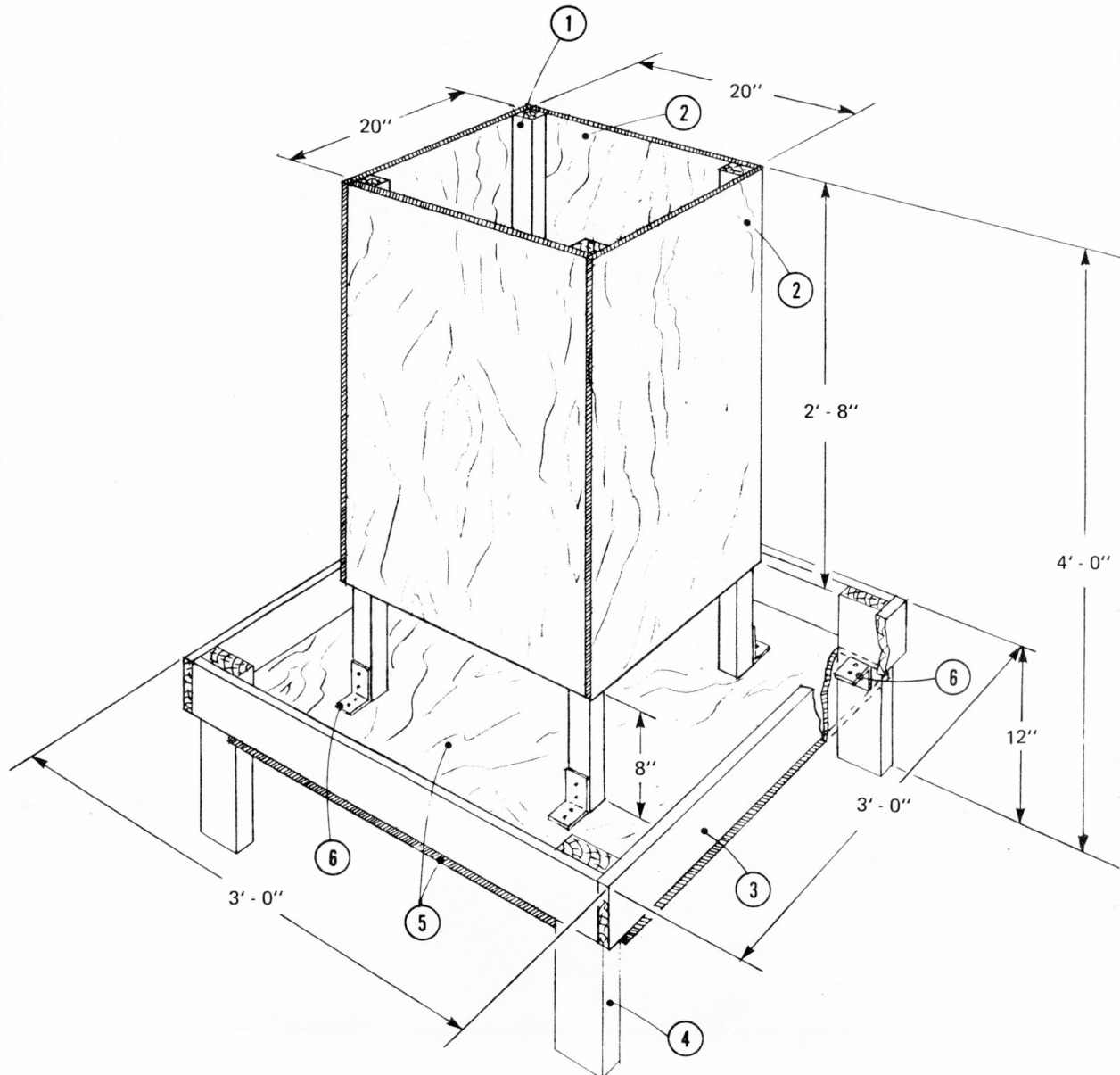
CPS
PLAN 4627 NEW 84:07

This unit is designed to hold one bale of hay on its end. This is sufficient feed for 8 sheep for one day. The perimeter of the structure will provide sufficient space for 8 ewes to eat at the same time.

The 8 in. opening at the bottom of the bale provides ample space for the ewes to remove the hay, also to provide easy access for cleaning the feeder before a new bale is added.

This unit is considered by many to provide the maximum feeding space in the minimum of area. The outer trough surrounding the bale may also be used to hand feed grain.

Since the feeder sits on the ground, it may be turned over to clean if required.



1. 2" x 2" x 3'-4" corner post
2. 1/2" sheathing plywood sides
3. 1" x 4" keeper
4. 2" x 2" x 1'-0" leg
5. 1/2" exterior plywood bottom
6. 1/4" x 2" x 2" angle (8 required) secure to post (1) and legs (4) with 2 round head screws per angle; secure to (5) with 2 stove bolts per angle