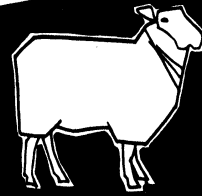




BRITISH
COLUMBIA

Ministry of Agriculture, Food and Fisheries

Agricultural Building Systems Handbook

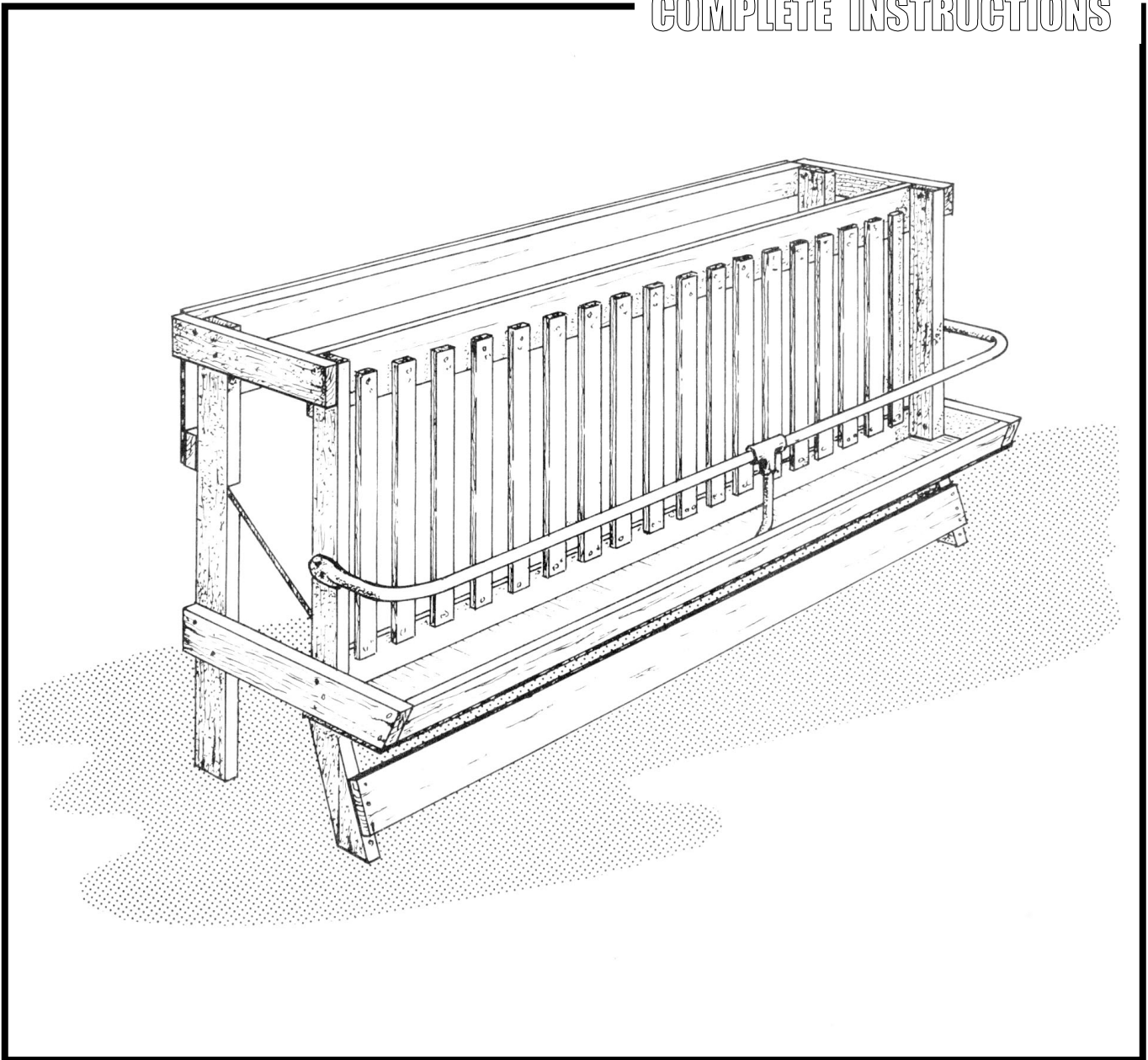


PLAN

352-27

HAY AND GRAIN FEEDER FOR SHEEP

COMPLETE INSTRUCTIONS



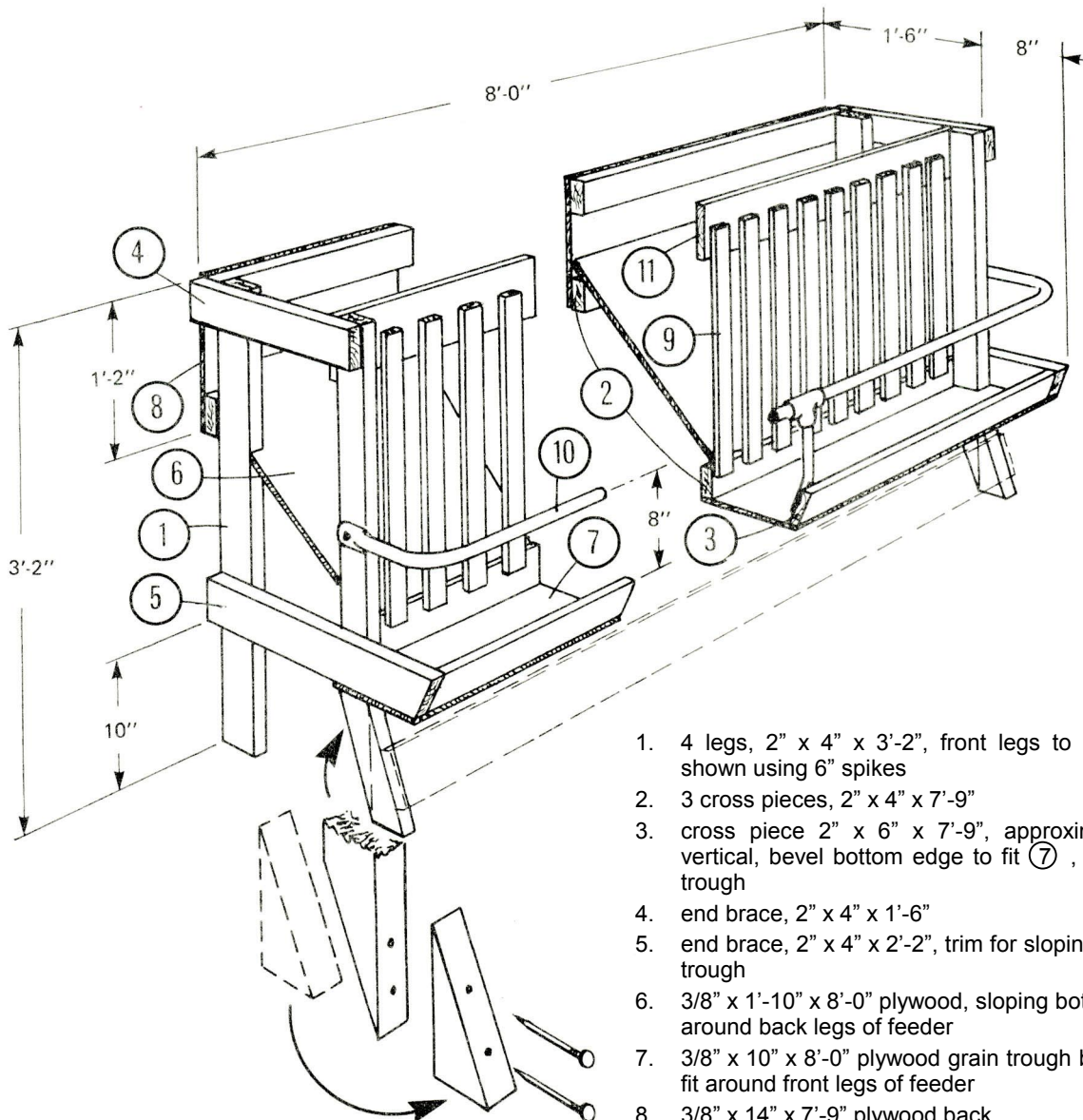
DEVELOPED BY CANADA PLAN SERVICE

HAY AND GRAIN FEEDER FOR SHEEP

CPS
 PLAN 4621 NEW 84:07

This feeder is assembled in 8 ft sections. The main feature of this feeder is the extended portion of the feed bunkfloor; it is intended to catch loose particles of hay and provide an area to feed grain to the flock. Each 8 ft section has a capacity to feed 6 to 8 ewes at one time, or up to 16 ewes if self-fed continuously.

Two rows of feeders may be set up to provide pen partitions and a walkway to distribute the feed.



1. 4 legs, 2" x 4" x 3'-2", front legs to be altered as shown using 6" spikes
2. 3 cross pieces, 2" x 4" x 7'-9"
3. cross piece 2" x 6" x 7'-9", approximately 30° to vertical, bevel bottom edge to fit (7) , forms front of trough
4. end brace, 2" x 4" x 1'-6"
5. end brace, 2" x 4" x 2'-2", trim for sloping front of feed trough
6. 3/8" x 1'-10" x 8'-0" plywood, sloping bottom, trim to fit around back legs of feeder
7. 3/8" x 10" x 8'-0" plywood grain trough bottom, trim to fit around front legs of feeder
8. 3/8" x 14" x 7'-9" plywood back
9. 1" x 2" x 2'-0" slats, 3" opening between slats
10. guard rail, from 3/4" pipe with tee and vertical brace at center, ends flattened and drilled for 2-1/4" carriage bolts
11. crosspiece 1" x 6" x 7'-9"