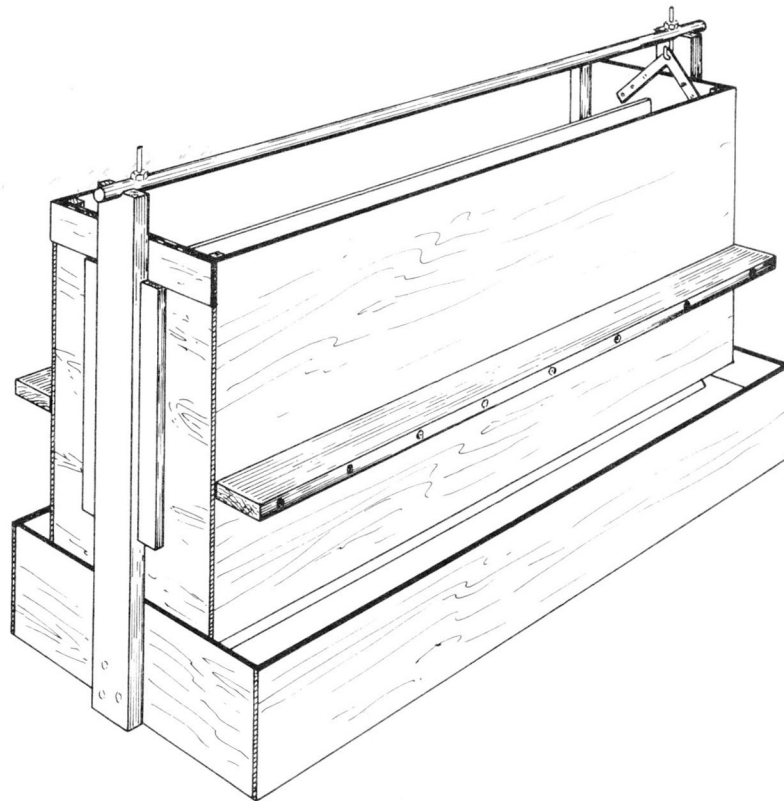


SELF FEEDER FOR CONCENTRATE LAMB RATIONS

COMPLETE INSTRUCTIONS



The plan described in this leaflet was developed at Fairview College, Alberta. It is for feeding pelleted or grain rations (not chopped forages) to lambs raised on slotted floors.

At Fairview, 30 lambs were full-fed from each feeder and they ate up to 4 lb. per lamb per day. The box receives approximately 1000 lb. of feed from an auger-equipped trailer or mobile feed mill, so it required refilling only once per week.

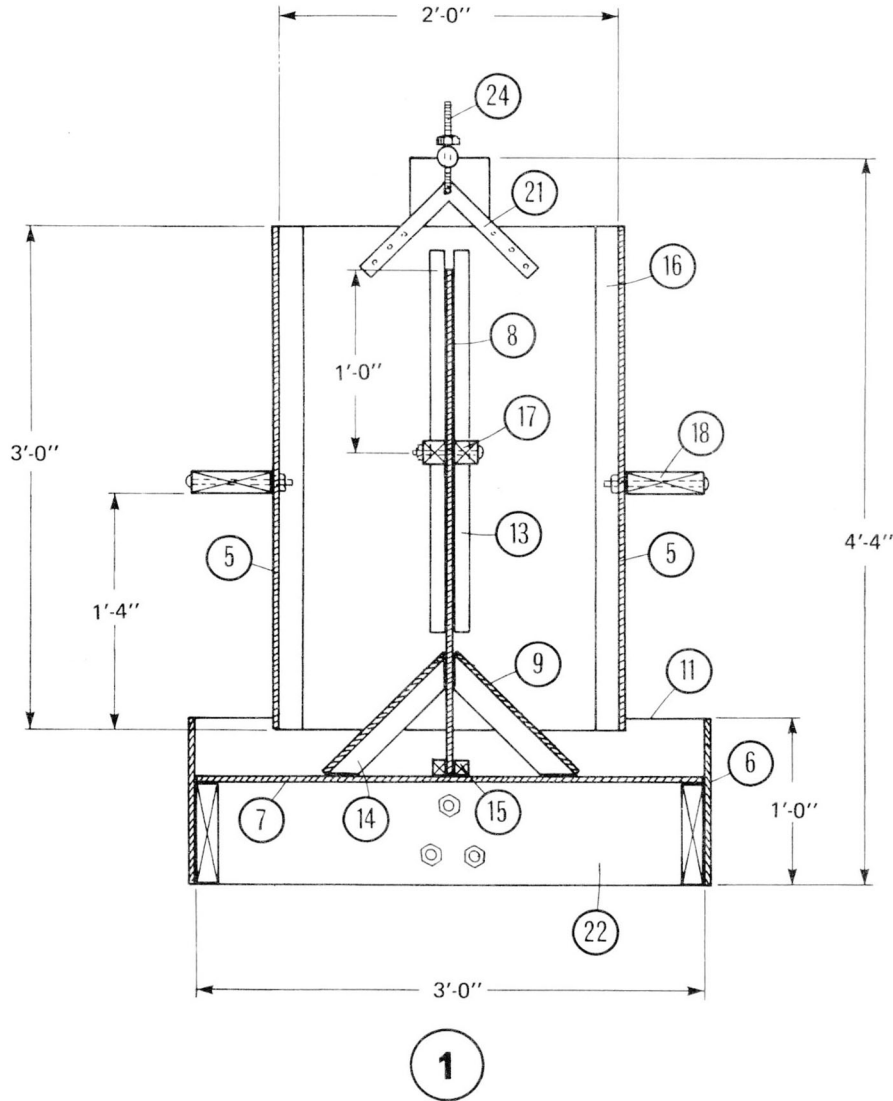
Different ration compositions and variations in feed moisture content require adjustment of the feed slot opening to control feed flow and to minimize waste. The design allows raising and lowering the entire hopper box (even loaded) by turning a nut threaded into an eye-bolt at each end of the hopper support.

The feeder minimizes wasted pen area in the lamb feeder barn when located in the fence line between two adjacent pens.

DEVELOPED BY CANADA PLAN SERVICE

SELF FEEDER FOR CONCENTRATE LAMB RATIONS

CPS
PLAN 4619 NEW 84:07



- | | |
|--|---|
| <ol style="list-style-type: none"> 1. section through feeder 2. 1/2" plywood, cutting details 3. feeder base 4. adjustable hopper box 5. sides for hopper box (4) 6. throat boards 7. feeder base floor 8. hopper divider board 9. hopper boards 10. ends for (4) 11. throat boards (ends) 12. reinforcing at top of (10) 13. inside guides 14. 2" x 2", cut @ 45°, 2'-0" oc 15. 1" x 1" x 7'-8" blocking both sides of (8) | <ol style="list-style-type: none"> 16. 2" x 2" x 3'-0" corner nailers 17. 2" x 2" x 7'-8" blocking on both sides of (8), fastened with 1/4" x 7" bolts, nuts & washers @ 1'-0" oc 18. 2" x 6" x 7'-11", fastened with 1/4" x 7" bolts, nuts & washers @ 1'-0" 19. 2" x 6" x 4'-4", grooved at top to receive (23), bolted with 3-1/4" x 5" bolts 20. 1" x 2" x 2'-0" guides 21. 1/4" x 1" x 9" flat steel bar with 1/4" x 1 1/2" bolts nuts & washers 22. 2" x 8" frame 23. 1 1/2" pipe 8'-3" long 24. 3/8" x 10" bolts as shown for adjusting height of hopper above feeder floor |
|--|---|

