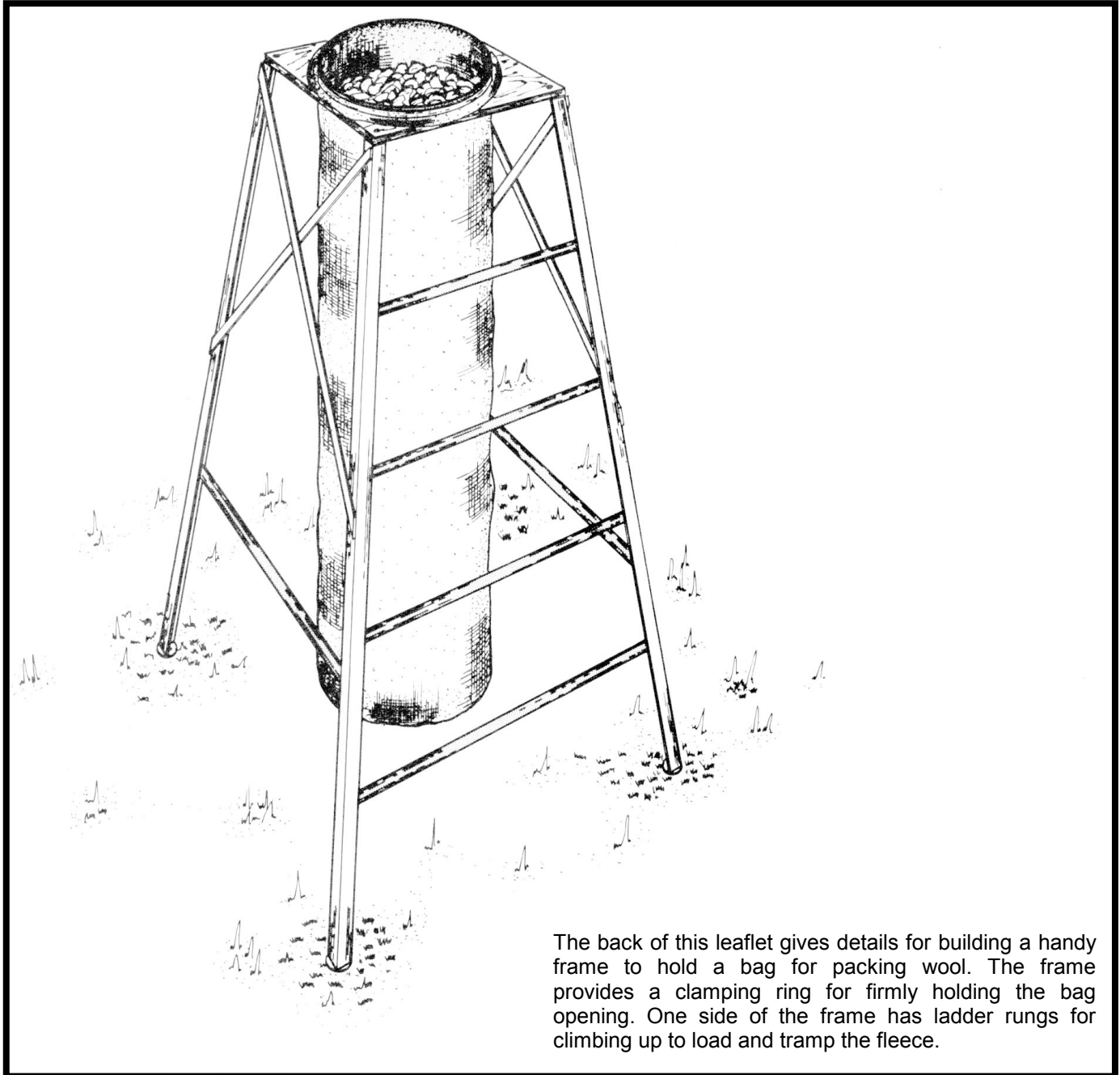


FLEECE PACKING FRAME



The back of this leaflet gives details for building a handy frame to hold a bag for packing wool. The frame provides a clamping ring for firmly holding the bag opening. One side of the frame has ladder rungs for climbing up to load and tramp the fleece.

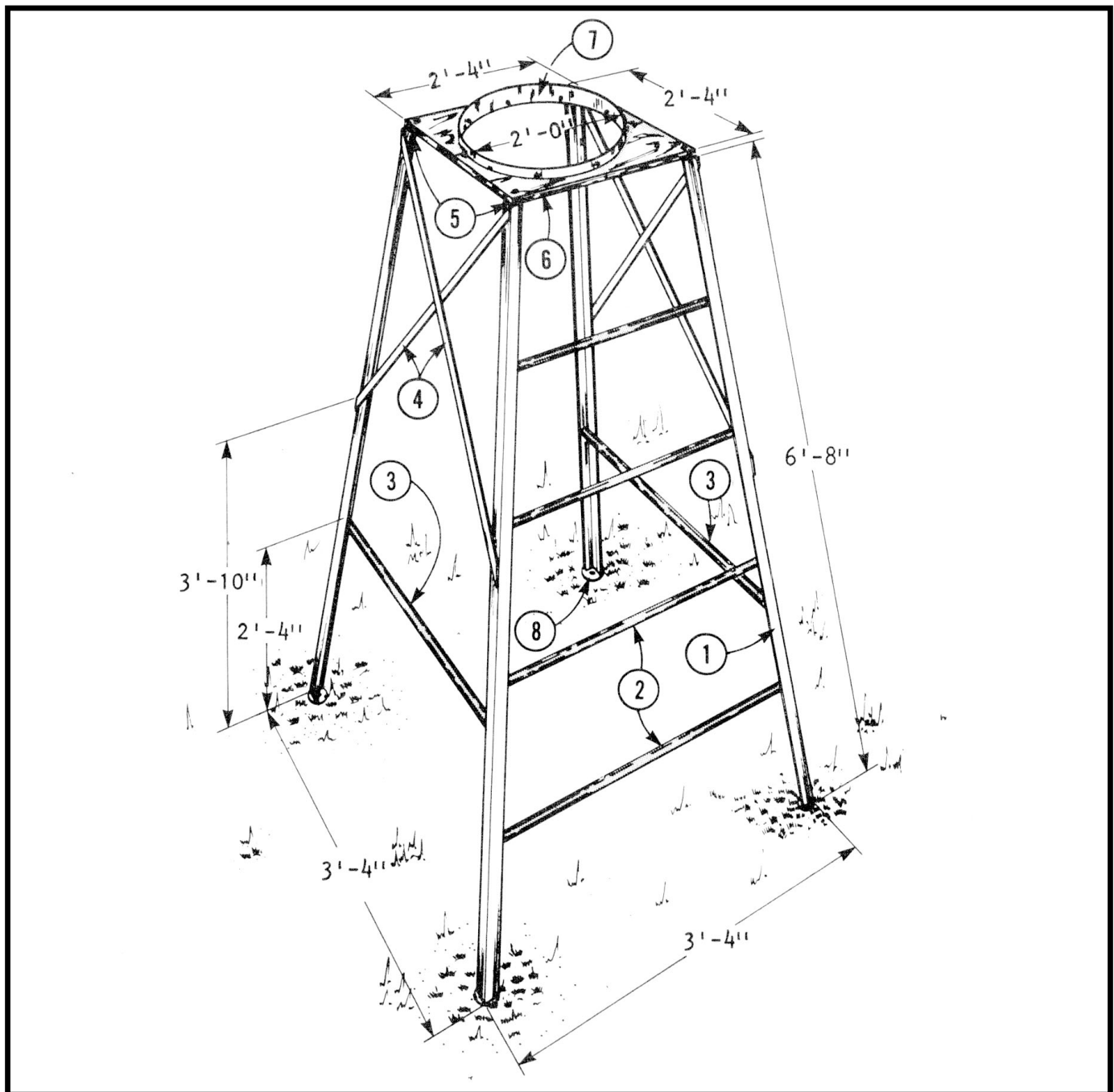
DEVELOPED BY CANADA PLAN SERVICE

FLEECE PACKING FRAME

CPS

PLAN 4553

REVISED 1:78



1. 1 1/2" x 1 1/2" x 1/8" steel angle legs
2. 1" pipe steps, evenly spaced
3. 1" pipe for carrying, 2 sides of packing frame
4. 1" x 1/4" x 3'-6" steel strap bracing, weld to legs ①
5. 1 1/2" x 1 1/2" x 1/8" steel tab, drill and weld to legs ① for bolting plywood ⑥
6. 3/4" plywood, bolt to ⑤ with round-head stove bolts
7. 2" x 1/8" steel ring holds fleece bag; drill and countersink for wood screws to ⑥ (attach fleece bag with heavy rubber band or steel hoop)
8. weld 2" o.d. washer to each leg, sits flat on floor