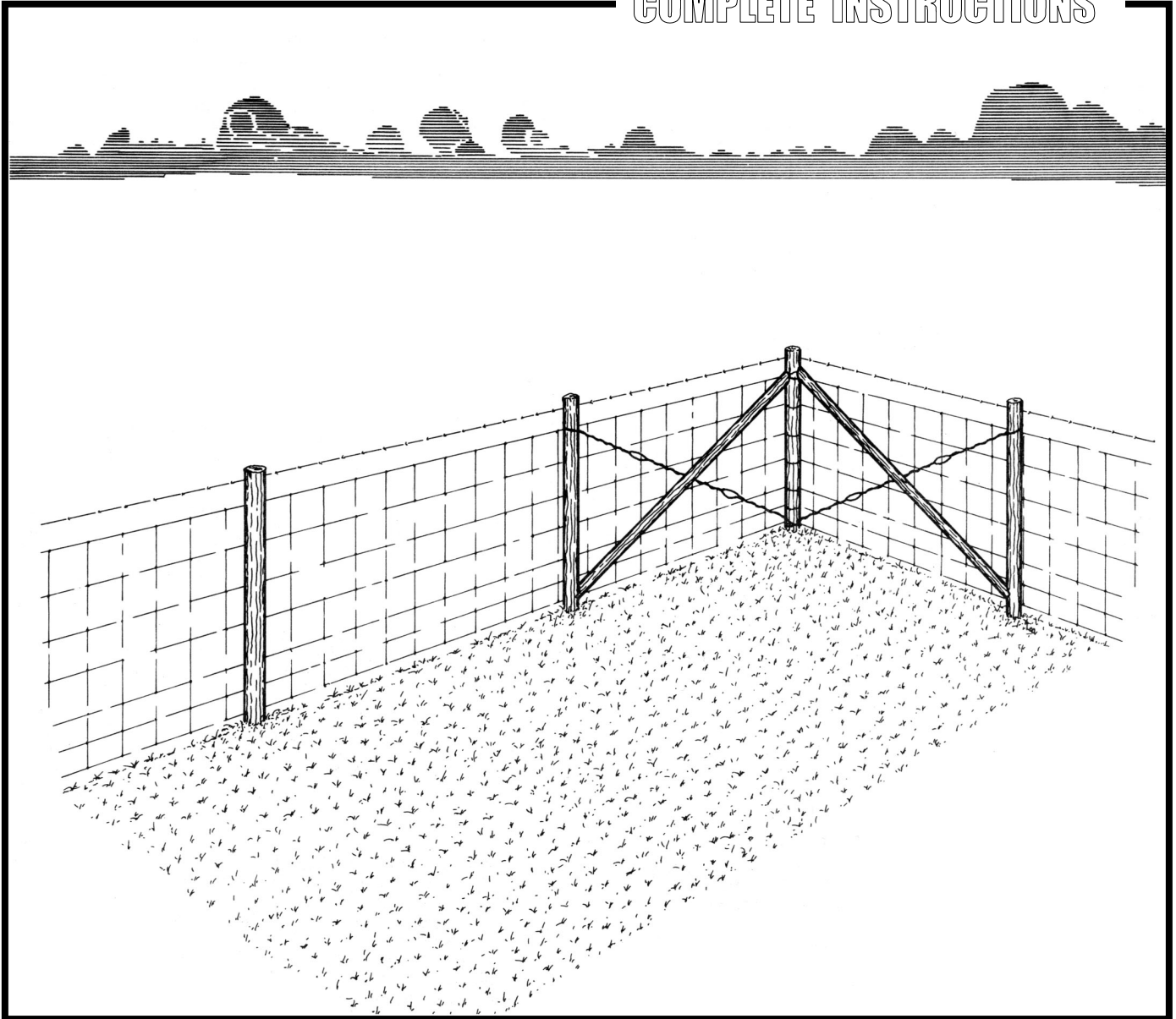


PAGE WIRE FENCING

COMPLETE INSTRUCTIONS



DEVELOPED BY CANADA PLAN SERVICE

PAGE WIRE FENCING

CPS
 PLAN M-8365 REVISED 86:08

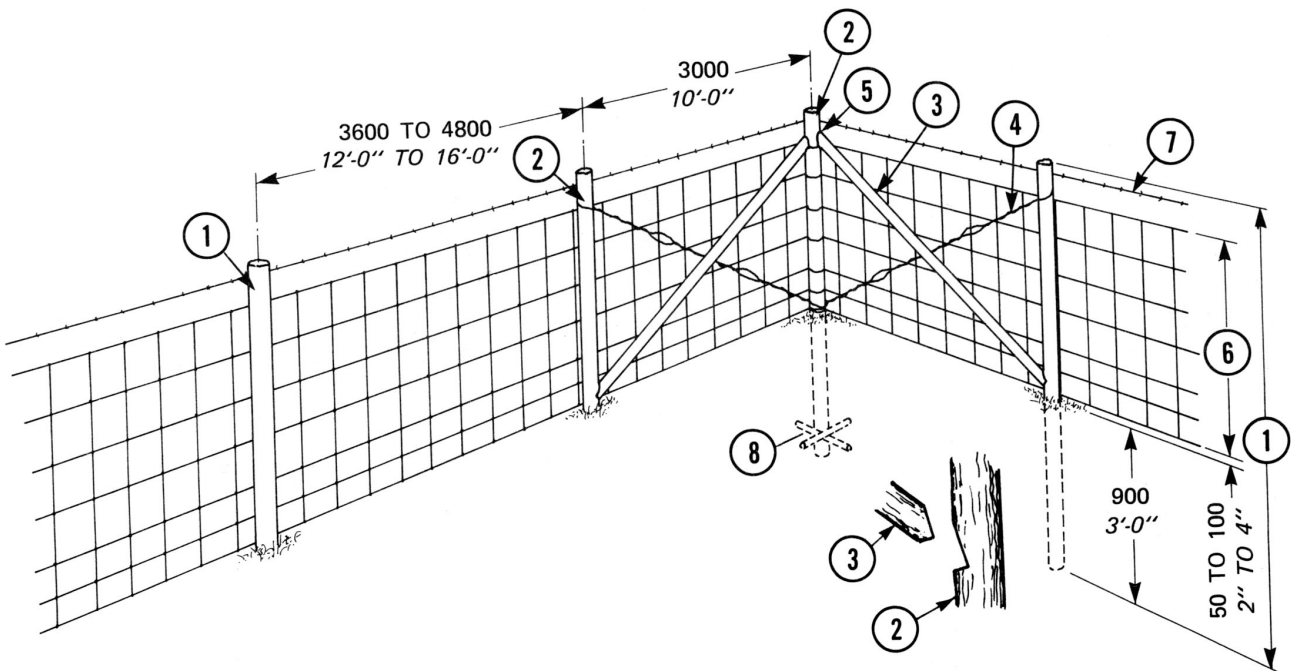
This is the usual farm fencing used in Canada. Fencing manufacturers supply a variety of fence heights, wire sizes and wire spacings to suit your needs. For cattle and horses, use fencing 1050-1200 mm (42-48 in.) high; for sheep and pigs only, use fencing 800-900 mm (32-36 in.) high. Page wire fencing is not suitable where people will try to climb over.

For extra security, add a barbed wire to the top of the fence. This may be either the traditional double-strand type or the newer single-strand type. The single-strand is cheaper, a little stronger and it has more barbs.

Anchor, corner and stretch posts must be wood, but line posts may be wood or steel. Some woods like cedar can last 10 to 15 years under typical field conditions in

Canada. Other woods are less durable and should never be used without preservative treatment. Since the galvanized fence wire is usually quite sound after 10 to 15 years of exposure, it pays to use pressure-treated wood or galvanized steel posts at a small increase in the first cost of materials. Wood posts pressure-treated with chromated copper arsenate (CCA) according to CSA Standard 080 are recommended as they are paintable and safer to handle than posts treated with some other wood preservatives.

A word about securing fencing to posts: do not tighten the fence staples or wire ties, otherwise it will be impossible to get a uniform tension on the wires when stretching the fence.



- 1 125 mm (5 in.) top diam. pressure-treated wood posts, or commercial steel posts, for cattle and horses use 2400 mm (8 ft) total posts length for sheep and swine use 2100 mm (7 ft) total post length
- 2 corner and brace posts, 150 mm (6 in.) top diam.
- 3 100 mm (4 in.) min. diam. brace rail, notched and spiked into ②
- 4 4 mm (No. 9) brace wire, twist at two locations to tighten

- 5 start fencing at corner posts
- 6 page wire fencing (see manufacturer's specifications) for cattle and horses use 1050-1200 mm (42-48 in.) high for sheep and swine use 800-900 mm (32-36 in.) high
- 7 barbed wire top strand (optional)
- 8 corner- and end-post anchors, wired and spiked to post