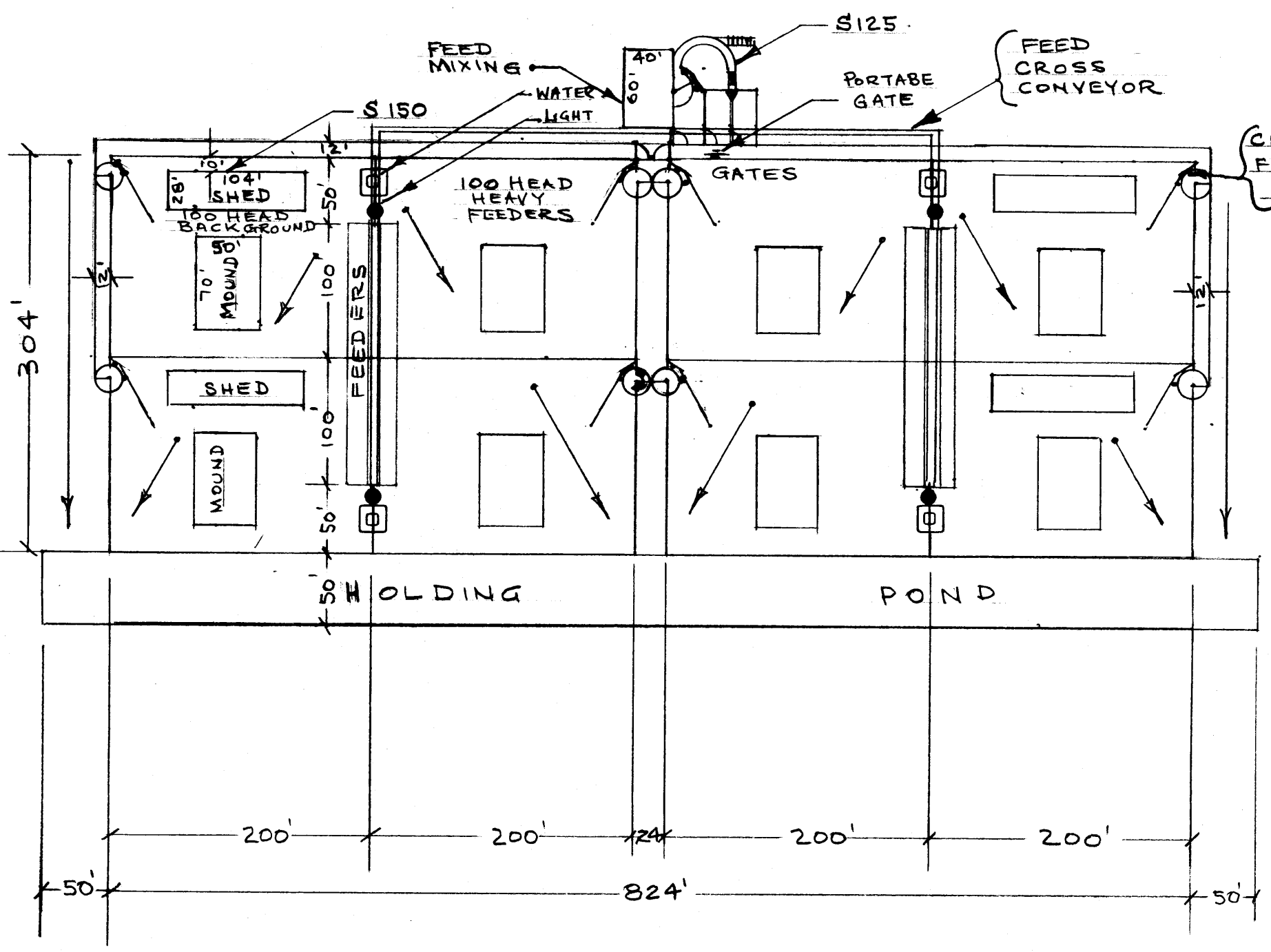


NOTES:
 BACKGROUND - 450-750 LBS.
 HEAVY FEEDERS - 750-1100 LBS.
 FEED STORAGE VOLUME AND
 FEED MIXING RATE
 SEE: LEAFLET 1000-6/83.

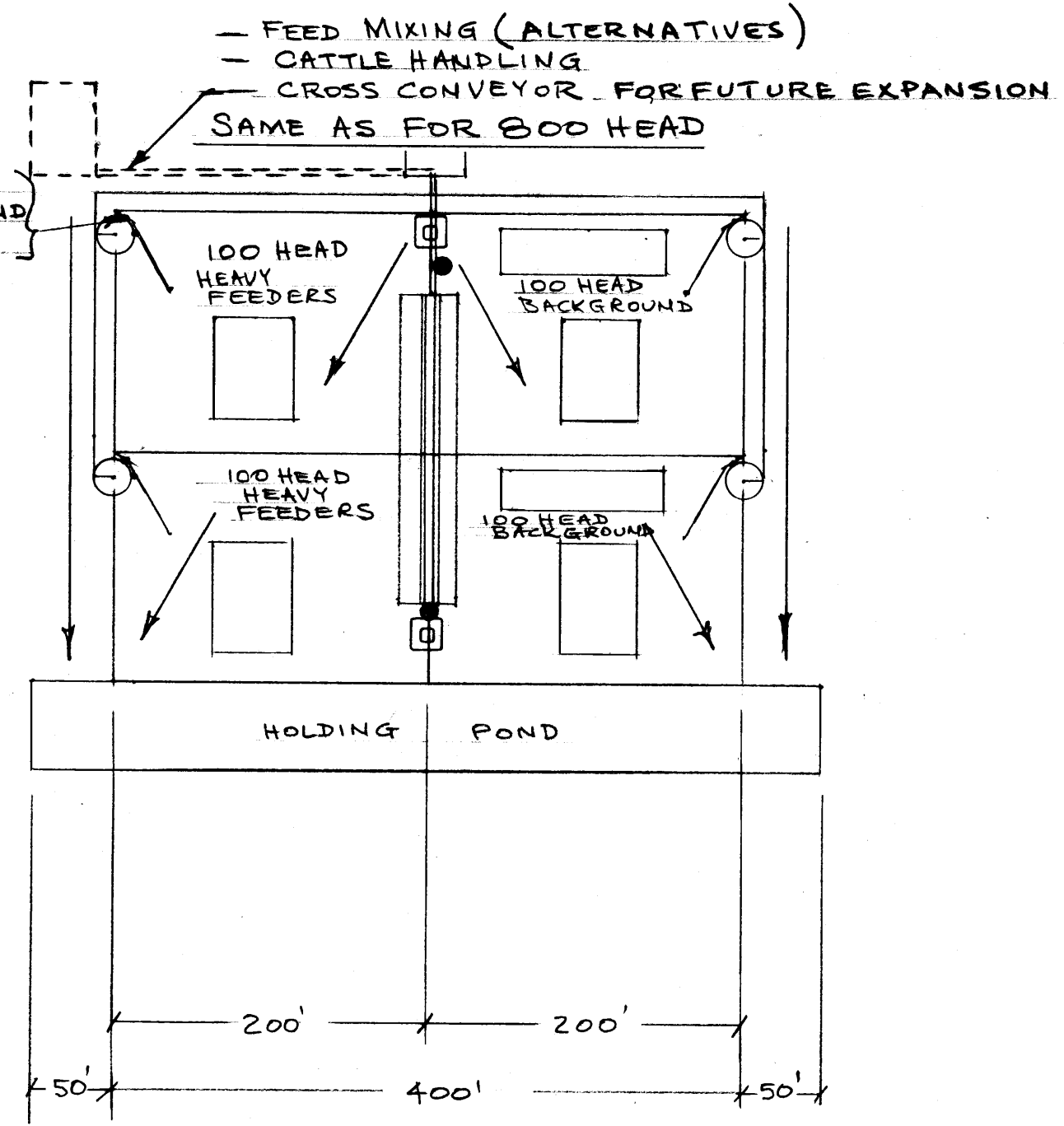
SHEDS: S-150
 28' x 104' OR 24' x 120'
 29 FT²/HEAD
PENS - 300 FT²/HEAD
MOUNDS - 35 FT²/HEAD
HOLDING PONDS - TO BE DESIGNED BY
 REGIONAL FARMSTEAD
 ENGINEER IF
 REQUIRED

STORAGE AREA
 FORAGE & GRAIN

STORAGE AREA
 FORAGE & GRAIN
 (FEED STORAGE ALTERNATIVES)



800 HEAD



400 HEAD

Symbol	Revisions	Checked	Date	App'd
A	Detail No.			
B	Sheet No. On Which Detail Originates			
C	Sheet No. On Which Detail Is Shown			
		Agricultural Engineering Services Section		
400 & 800 HEAD EARTH FEEDLOT MECHANICAL FEEDING				
Designed	G.E.P.	Date	2/6/83	Plan
Drawn	G.E.P.	Revised		S-161
Traced		Scale	1" = 100'	
Checked				Sheet 1 of 1