



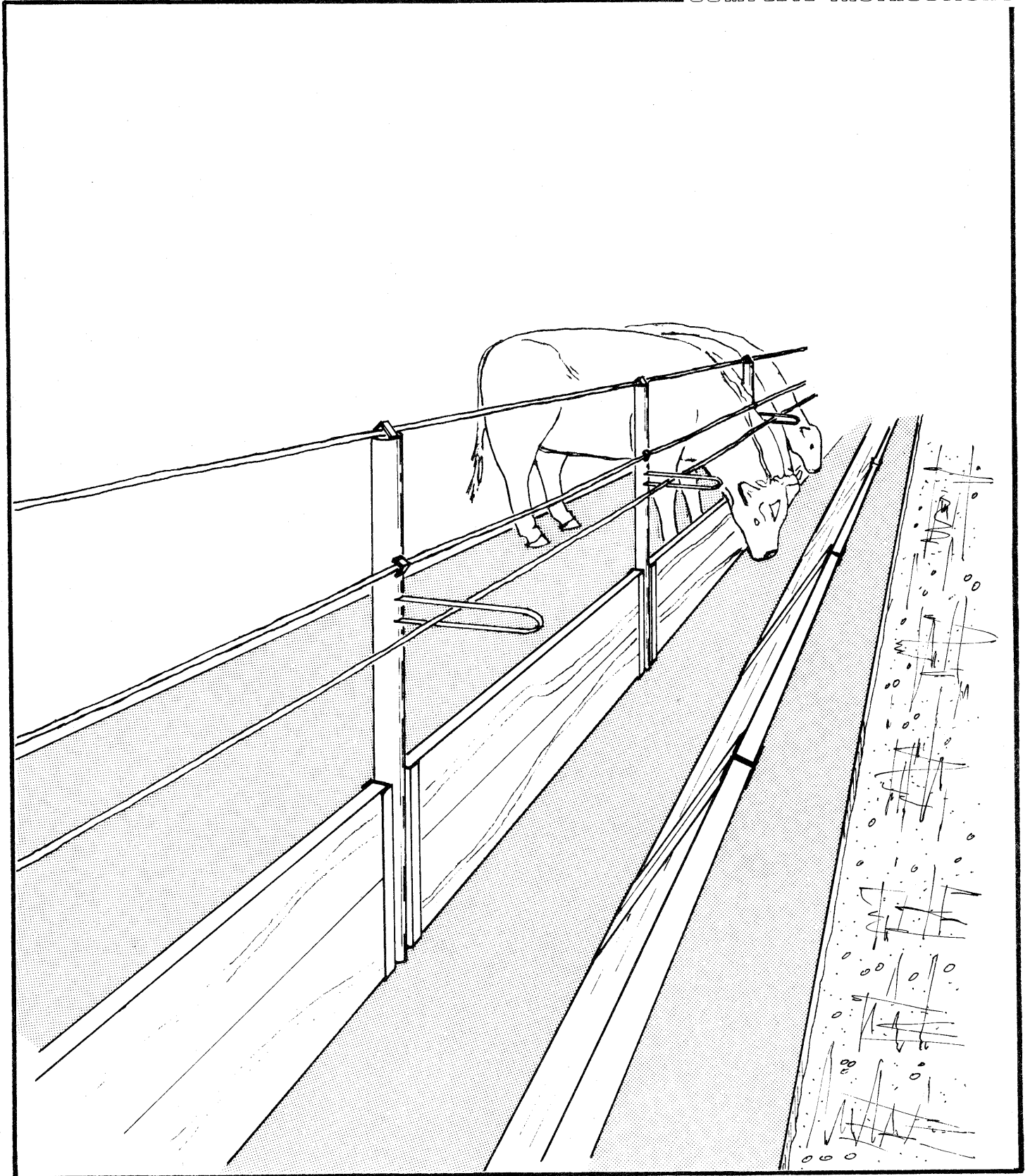
Saskatchewan
Agriculture

Extension
Service

Leaflet Plan S-165

Feed Bunk and Pad

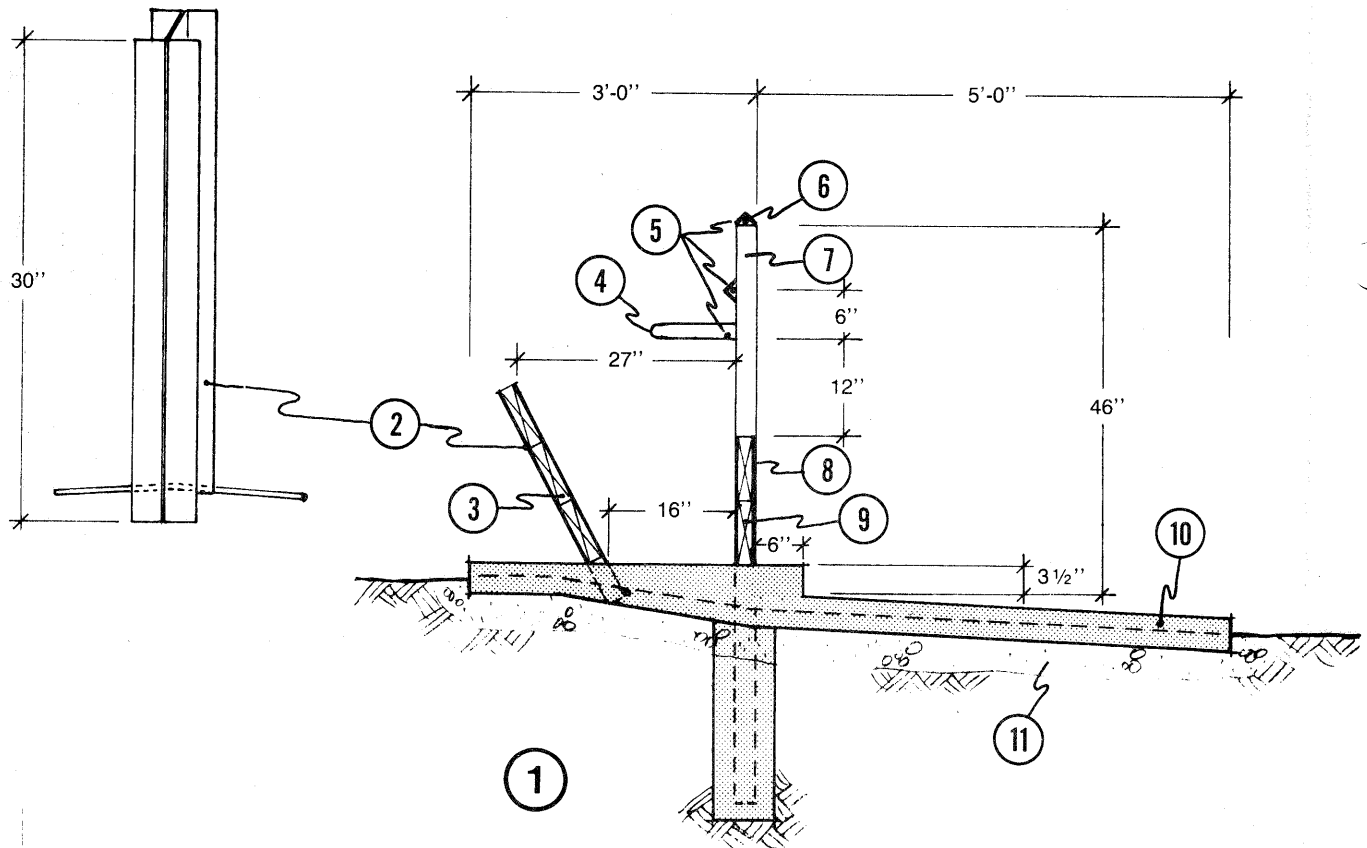
COMPLETE INSTRUCTIONS



This plan shows details for a feed bunk suitable for perimeter pen cattle feeding and feed distribution by self-unloading mixing wagon or similar unit.

The features of this feed bunk and pad design are:

- feed bunk floor and pad is continuous reinforced concrete
- sides of the feed bunk are rough cut lumber planks that can readily be removed and replaced if damaged
- feed bunk floor extends into the feed wagon driveway and serves as a guide and bumper to prevent wagon damage to the bunk
- channels which hold the planks in place are easily formed and constructed
- the three cables restrict the animals from entering the feed bunk
- cable retainers welded to the posts allow cattle to reach all the feed in the bunk
- economical strong materials



- | | |
|---|--|
| <ol style="list-style-type: none"> 1. Cross-section thru feed bunk and pad 2. 2 - 2" x 2" x 30", 10 gauge steel channels; welded back to back; 8' o.c.; 10M x 16" rebar welded to inside bottom 3. 3 - 2" x 8" rough planks 4. 3/16" x 2" x 2' long flat iron bent in U shape and welded to posts 5. 9/16" steel cable 6. 1 1/2" x 1 1/2" angle iron welded to posts to retain top two cables | <ol style="list-style-type: none"> 7. 2" dia. std. steel pipe x 6' long; set in concrete; 8' o.c. 8. 2" x 2" x 16", 10 gauge steel channel; weld to each side of post 9. 2 - 2" x 8" rough planks; change top plank to 2" x 6" for calves to 750 lb. 10. 4" thick 20 MPa concrete slab c/w 6 x 6 x 8 W.W.M.; float finish on bunk side; rough finish on cattle side; expansion joints 16' o.c. 11. 4" well-compacted gravel |
|---|--|