

FLOOR PLAN
SCALE 1/8"=1'-0"

- DESIGN DATA**
- CFM REQUIREMENTS - 30,000 PER EACH HALF OF BLDG.
 - FAN REQ. 2 FANS PER EACH HALF OF BLDG @ 15,000 CFM EACH @ 2" S.P.
 - HEAT REQUIRED - 1,000,000 BTU HEATER UNIT PER EACH HALF OF BLDG.

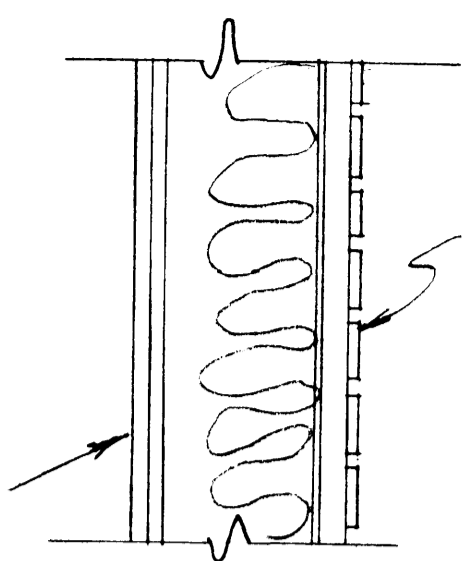
WARNING
This plan may require structural and other changes to meet local site conditions, climatic loads, user requirements and applicable building regulations (such as the Canadian Farm Building Code). Before construction, the user of this plan is responsible to ensure that all required changes are made.

Quick Release Plan
CANADIAN FARM BUILDING PLAN SERVICE
DWG. No. Q-6002 sheet 1 of 3

MANITOBA DEPARTMENT OF AGRICULTURE
EXTENSION SERVICE
AGRICULTURAL ENGINEERING DIVISION
PROVINCE OF MANITOBA

ONION STORAGE BLDG

DATE 2/2/71	DESIGNED BY GAW	PLAN NO.
SCALE A.S.	DRAWN BY GAW	OS-60-101
SHEET 2 OF 4	CHECKED BY GAW	



- END WALL CONST.**
- METAL CLADDING
 - NAILING GIRTS
 - 2"x10" STUDS @ 2'-0" O.C.
 - 6" INSULATION
 - 6 MIL POLY V.B.
 - 3/8" P.M.B.C. EXT. GR. FIR PLYWOOD
 - 2"x2" (VERT.) @ 2'-0" O.C.
 - 1"x4" (HORIZ.) @ 5" O.C.

- ROOF CONST.**
- METAL ROOFING
 - NAILING GIRTS
 - TRUSS - DESIGN & DETAILS AS PER SUPPLIER.

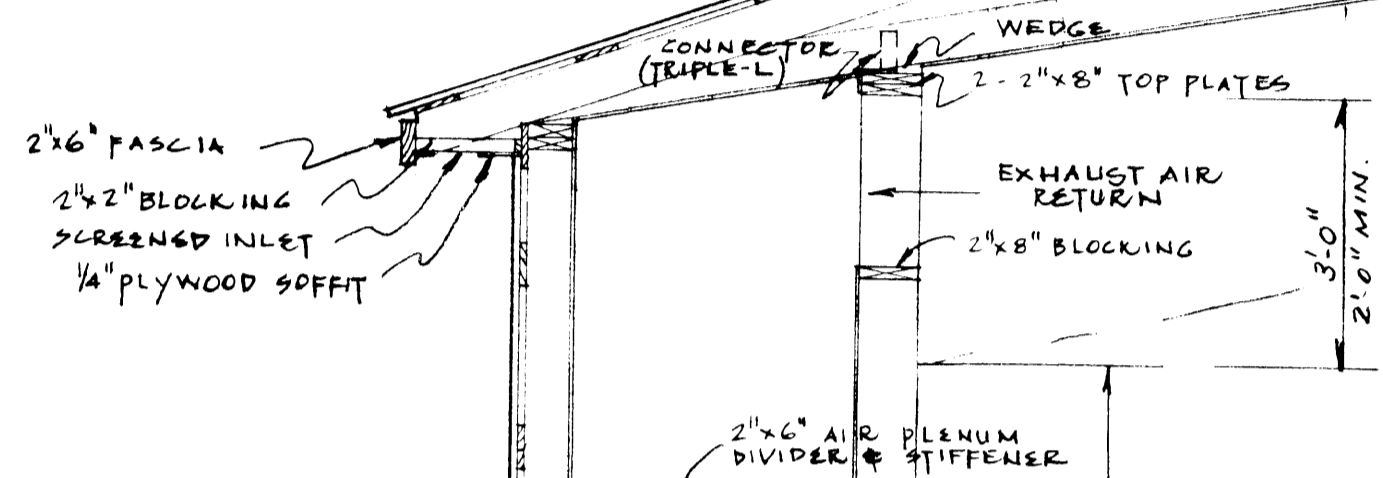
NOTE
TRUSS DESIGN DATA
 SNOW LOAD - 40#/SQ.FT.
 DEAD LOAD - 5#/SQ.FT.

ROOF SLOPE
 4/12

CEILING SLOPE
 2/12

- CEILING CONST.**
- 3/8" P.M.B.C. EXT. GR. FIR PLYWOOD
 - 6 MIL POLY VAPOR BARRIER
 - 8" FIBREGLASS BATT INSULN

SECTION C-C
 SCALE 1" = 1'-0"



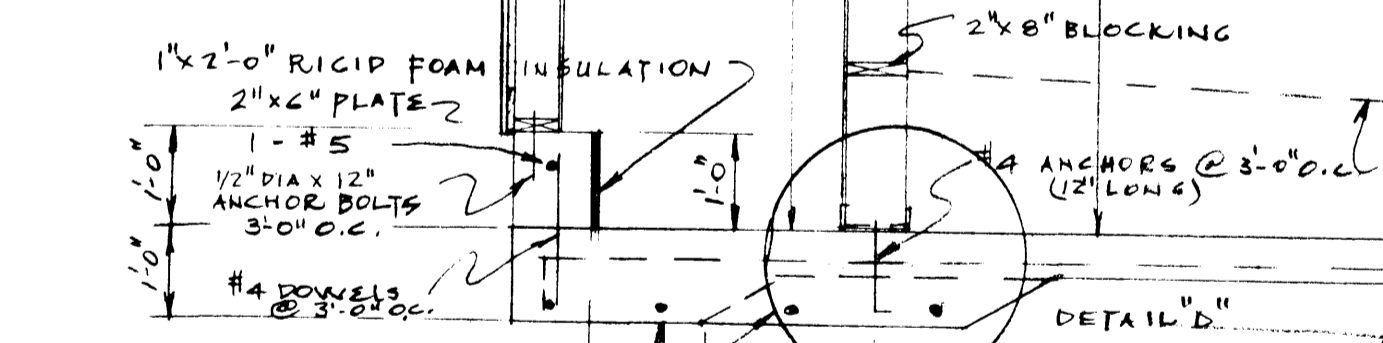
- WALL CONST.**
- EXTERIOR CLADDING - NAILING GIRTS
 - 2"x6" STUDS @ 2'-0" O.C.
 - 6" FIBREGLASS BATT INSULN OR EQUIV.
 - 6 MIL POLYETHYLENE VAPOR BARRIER
 - 3/8" P.M.B.C. EXT. GR. FIR PLYWOOD WITH "H" CLIPS

- WALL CONST.**
- 2"x8" STUDS @ 2'-0" O.C.
 - 3/8" P.M.B.C. EXT. GR. FIR PLYWOOD (ONE SIDE)
 - PLYWOOD "H" CLIPS

NOTE

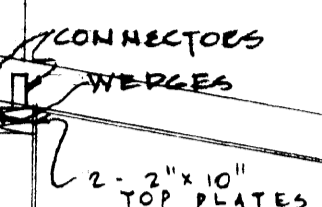
1. SEE SPECIFICATIONS OF ROOFING MANUFACTURER FOR ROOFING MATERIALS & NAILING GIRTS.
2. SEE SPECIFICATIONS OF SIDING MANUFACTURER FOR SIDING MATERIALS & NAILING GIRTS.
3. EAVESTROUGHING & DOWNSPOUTS SHOULD BE INSTALLED, DRAINED INTO PIT OR AWAY FROM BUILDING.

ALL CONC. 3000 P.S.I.

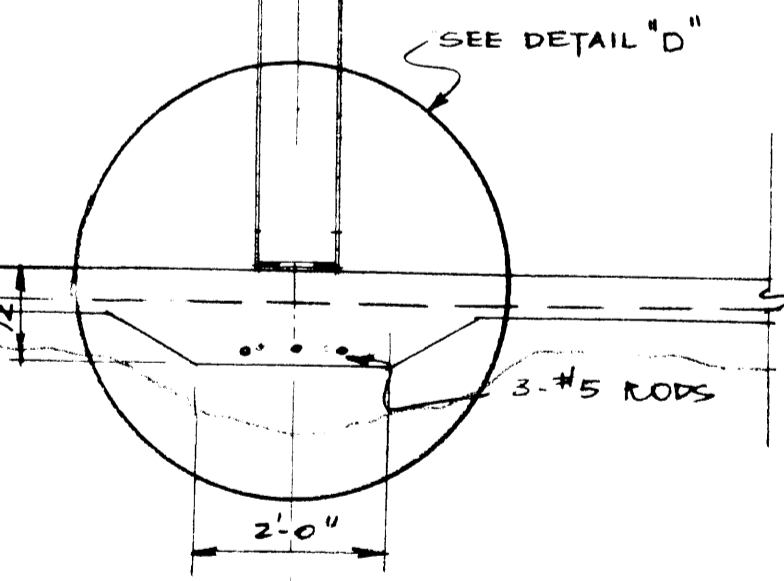


- FLOOR CONST.**
- 5" CONC.
 - #3 RODS @ 18" O.C. E.W.
 - 4 MIL POLY LINER
 - GRAVEL FILL

CROSS-SECTION "A-A"
 SCALE 1/2" = 1'-0"



- CENTRE BIN WALL CONST.**
- 3/8" P.M.B.C. EXT. GR. FIR PLYWOOD BOTH SIDES
 - 2"x10" STUDS @ 2'-0" O.C.
 - PLYWOOD "H" CLIPS

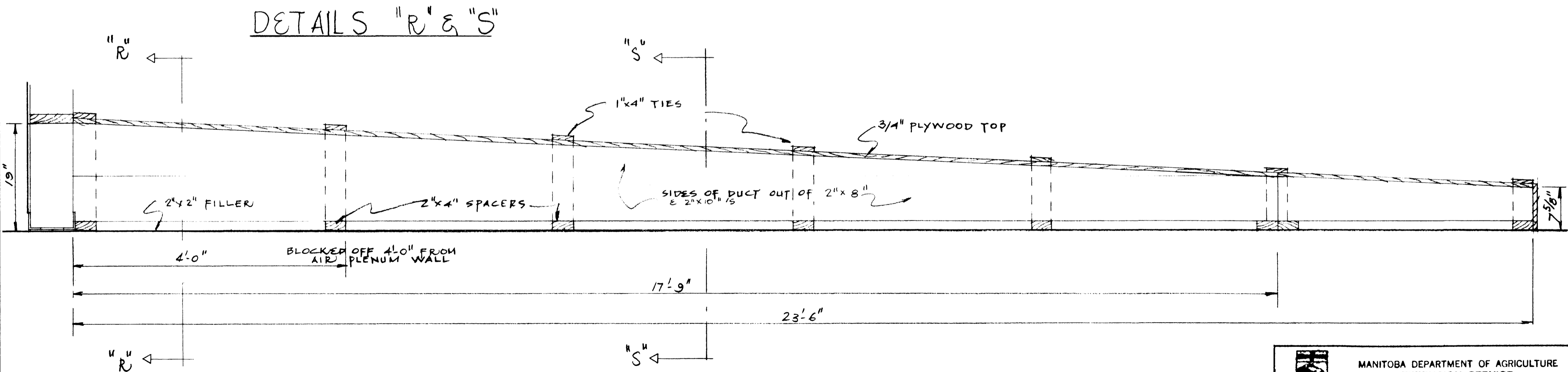
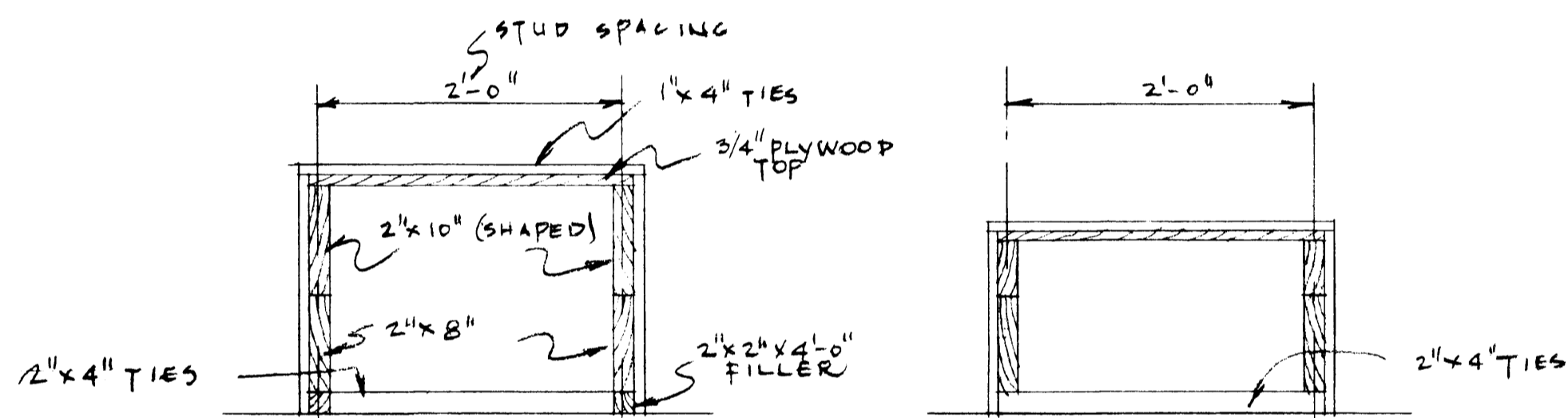
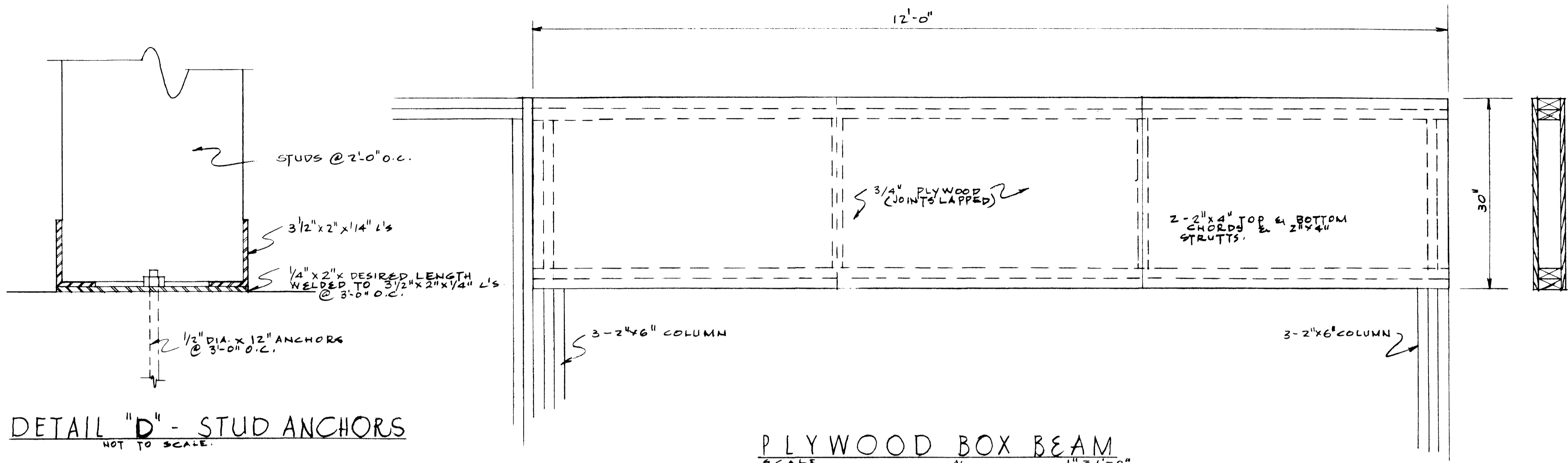


MANITOBA DEPARTMENT OF AGRICULTURE
 EXTENSION SERVICE
 AGRICULTURAL ENGINEERING DIVISION

ONION STORAGE BLDG


Quick Release Plan
 CANADIAN FARM BUILDING PLAN SERVICE
 DWG. No. Q-6002 sheet 2 of 3

DATE 9/2/71	DESIGNED BY EPH	PLAN NO.
SCALE A.S.	DRAWN BY PH	OS-60-10
SHEET 2 OF 4	CHECKED BY PH	



SECTION THRU' LATERAL DUCT
SCALE 1" = 1'-0"

Quick Release Plan
CANADIAN FARM BUILDING PLAN SERVICE
DWG. No. Q-6002 sheet 3 of 3

 MANITOBA DEPARTMENT OF AGRICULTURE EXTENSION SERVICE AGRICULTURAL ENGINEERING DIVISION		
ONION STORAGE BLDG		
DATE 1/2/71	DESIGNED BY EPH	PLAN NO.
SCALE 1/5	DRAWN BY BK	OS-60-10
SHEET 4 OF 4	CHECKED BY EPH	