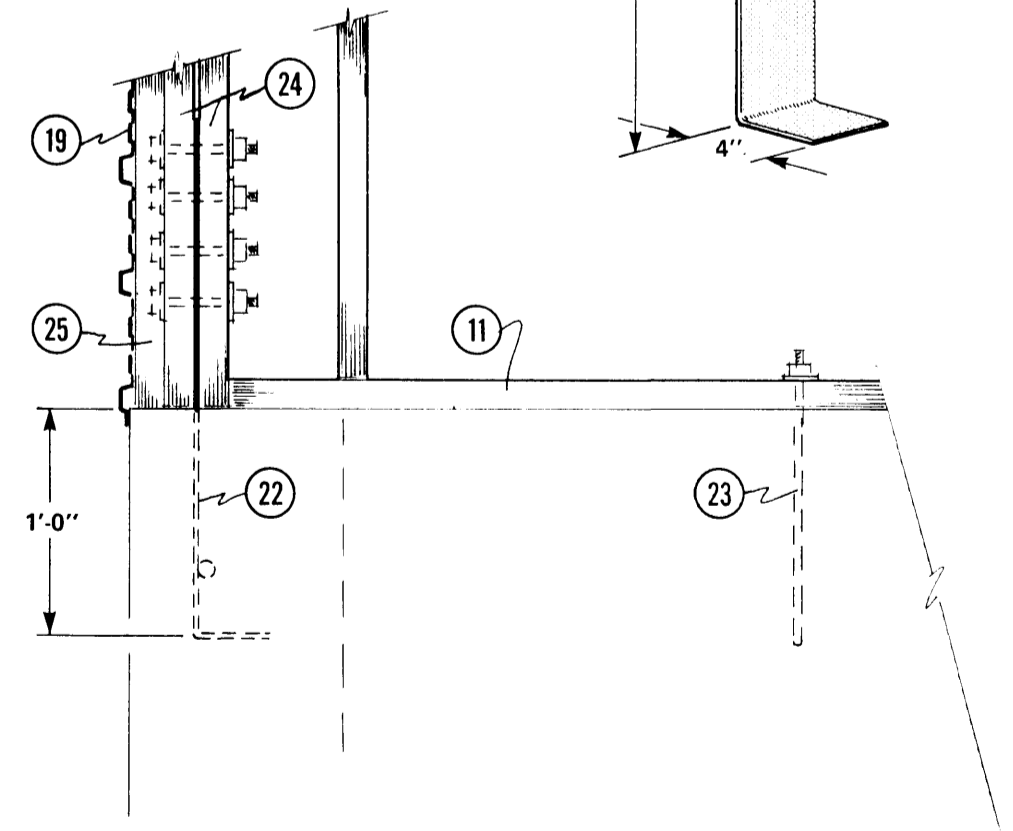
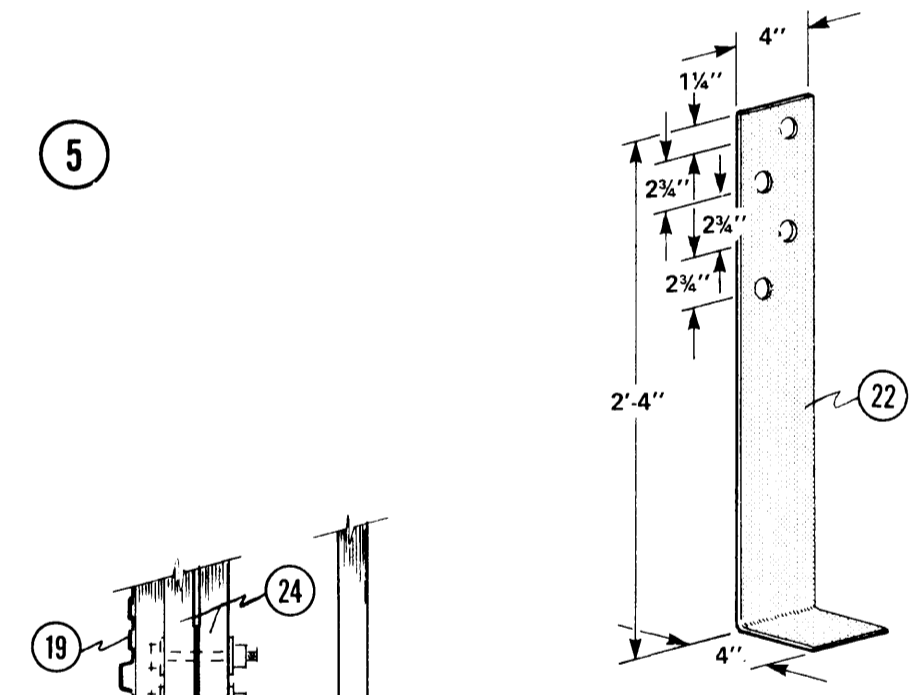
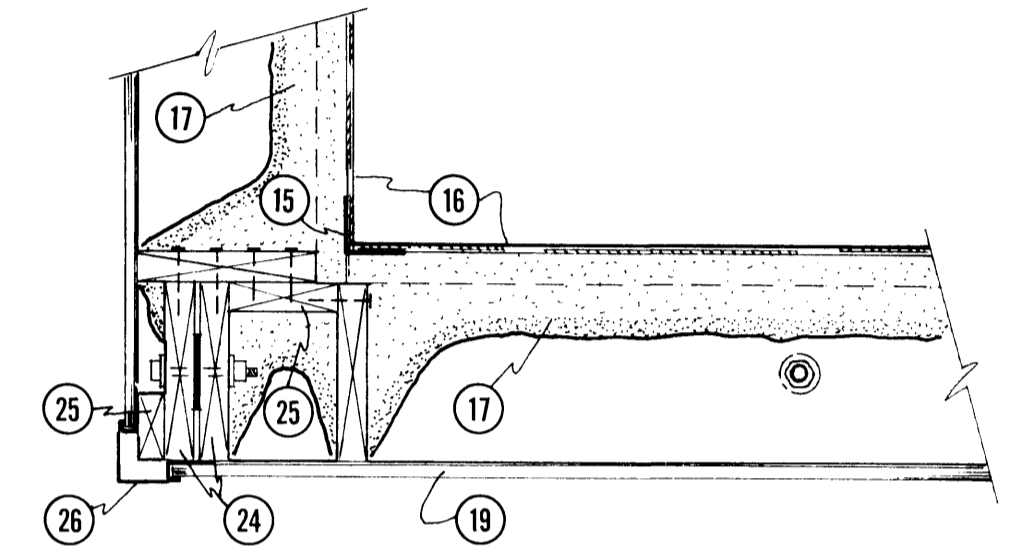
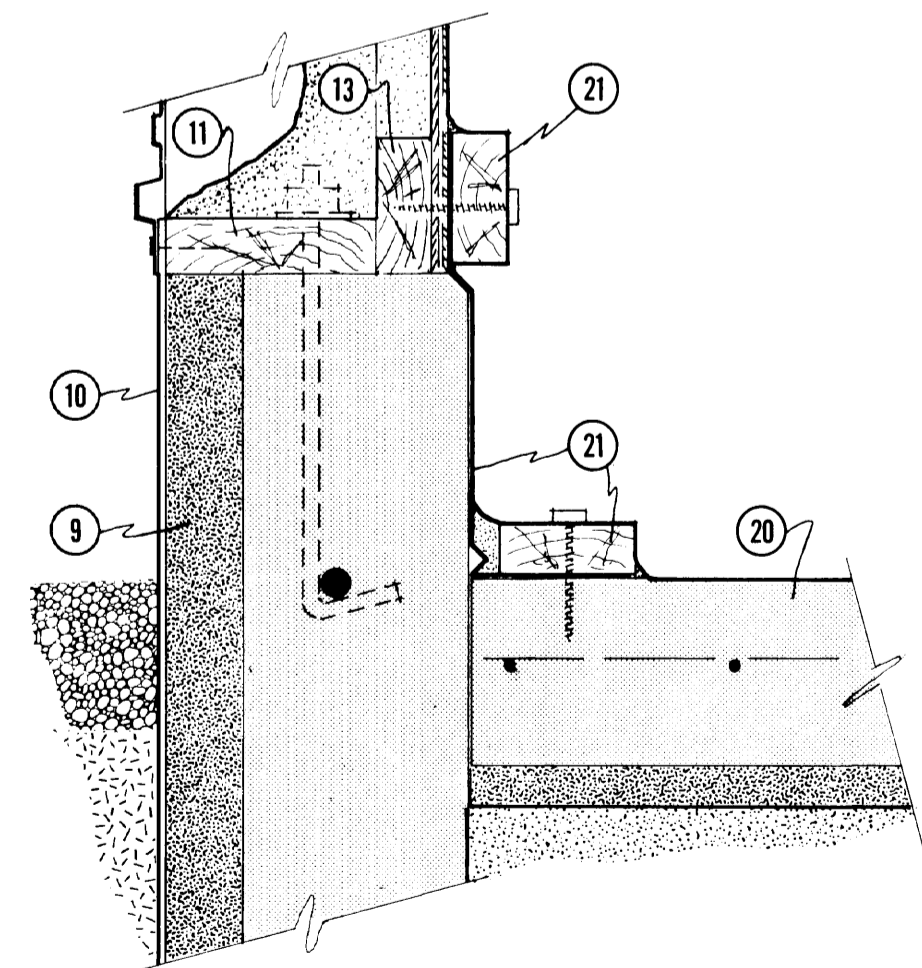
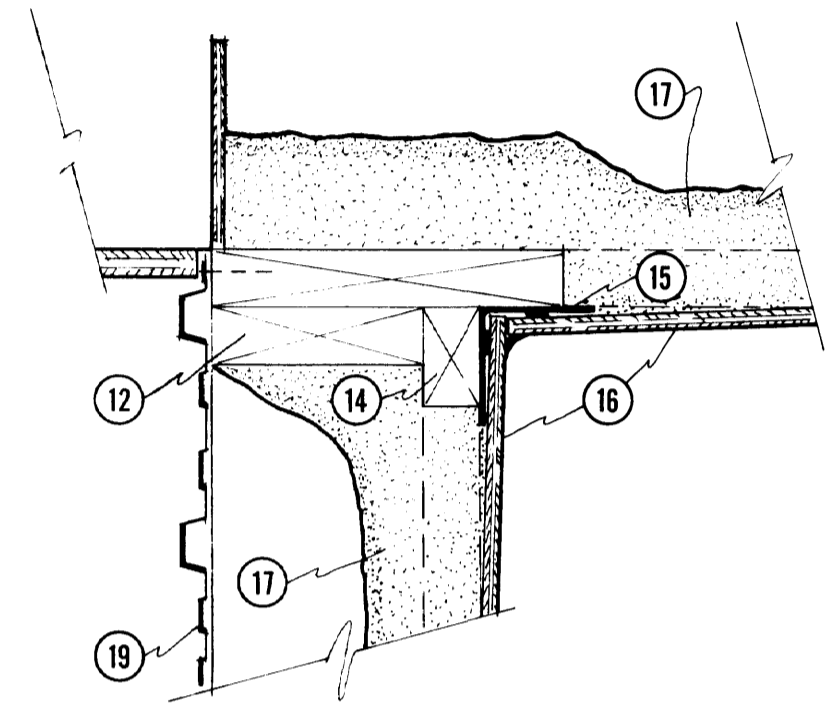


STUD WALL HEIGHT ft.	STUD SIZE		ENDWALL ANCHOR BOLT SPACING in.
	No. 2 SPRUCE	No. 2 DOUGLAS FIR	
12	2 x 8	2 x 6	48
14	2 x 8	2 x 8	48
16	2 x 8	2 x 8	36
18	2 x 10	2 x 8	32
20	2 x 10	2 x 10	32



- 1 studs @ 4'-0" oc, recommended stud sizes based on 56'-0" clear span bldg., 52 psf total roof + ceiling load combined with 13 psf wind gust pressure
- 2 optional vertical exterior metal siding on 2 x 4 strapping @ 4'-0" oc
- 3 plywood diaphragm ceiling, see M-9374
- 4 optional steel diaphragm ceiling, see plan M-9371
- 5 section & elevation of strap anchor @ endwall corners
- 6 concrete footing, 2 x 4 keyway
- 7 concrete foundation to below frost, 2-#6 rebars continuous; provide control joints @ 50'-0" oc; foundation thickness = stud size + 2" (or + 3 1/2" with 2)
- 8 optional shallow footing with horizontal 2" x 2'-0" polystyrene insulation over compacted sand fill
- 9 2" x 1'-10" polystyrene perimeter insulation (Dow SM or equal), tack with finishing nails to form; in colder climates increase to 3"
- 10 3/16" x 2'-0" high-density recompressed cement-asbestos board, drilled and screwed to 11
- 11 2" CCA-pressure-treated sill, anchor with 1/2" x 1'-0" anchor bolts @ 4'-0" oc
- 12 bottom plate same size as studs, top plate 4" wider, joints staggered @ 4'-0" oc
- 13 2 x 1 CCA-pressure-treated base strapping
- 14 2 x 3 horizontal strapping @ 2'-0" oc
- 15 3" x 3" x 28 ga. galv. angle, continuous; apply caulking bead between angle and wall/ceiling finish, seal exposed joint with caulking bead
- 16 1/2" medium density overlaid fir plywood, face grain vertical; galv. fasteners; plywood joints spaced 1/8" and sealed with silicone or butyl rubber caulking
- 17 3" polyurethane foam insulation (R-17), sprayed from outside, increase insulation for colder climates
- 18 optional extra attic insulation, 3" expanded mica (vermiculite)
- 19 galv. steel exterior siding, screw beside ribs to 11 & 1
- 20 5" concrete floor, 6 x 6 6/6 wire mesh; 10 mil polyethylene membrane gas seal, joints taped; 1" rigid insulation (Dow SM or equal) on compacted sand fill
- 21 pleated 10 mil polyethylene membrane gas seal, caulk between membrane and floor/wall with silicone, before screwing 2 x 4 CCA-pressure-treated clamp strips to floor and wall
- 22 1/2" steel anchor strap, drill for 5/8" bolts, tie to horizontal rebars
- 23 1/2" x 1'-0" anchor bolts, see 1 for spacing
- 24 2" studs drilled for bolts
- 25 2" blocking, nail to studs
- 26 outside corner trim, to match siding
- 27 3'-0" x 4" deep coarse gravel splash pad

WARNING
 This plan may require structural and other changes to meet local site conditions, climatic loads, user requirements and applicable building regulations (such as the Canadian Farm Building Code). Before construction, the user of this plan is responsible to ensure that all required changes are made.

revised and re-issued		82-03	
SYM	REVISIONS	CHECKED	DATE APPROVED
		CONTROLLED ATMOSPHERE (CA) PALLET STORAGE WALLS	
		(not to scale)	
DESIGNED <i>D.I.M.</i>	DATE 77-01	PLAN NO. 6113	
DRAWN <i>R.PELLA</i>	REVISED 82-03	YOUR PLAN NO.	
TRACED		DETAIL NUMBER	
CHECKED <i>J.E.T.</i>		ORIGINATES ON SHEET A DRAWN ON SHEET B SHEET OF C	