

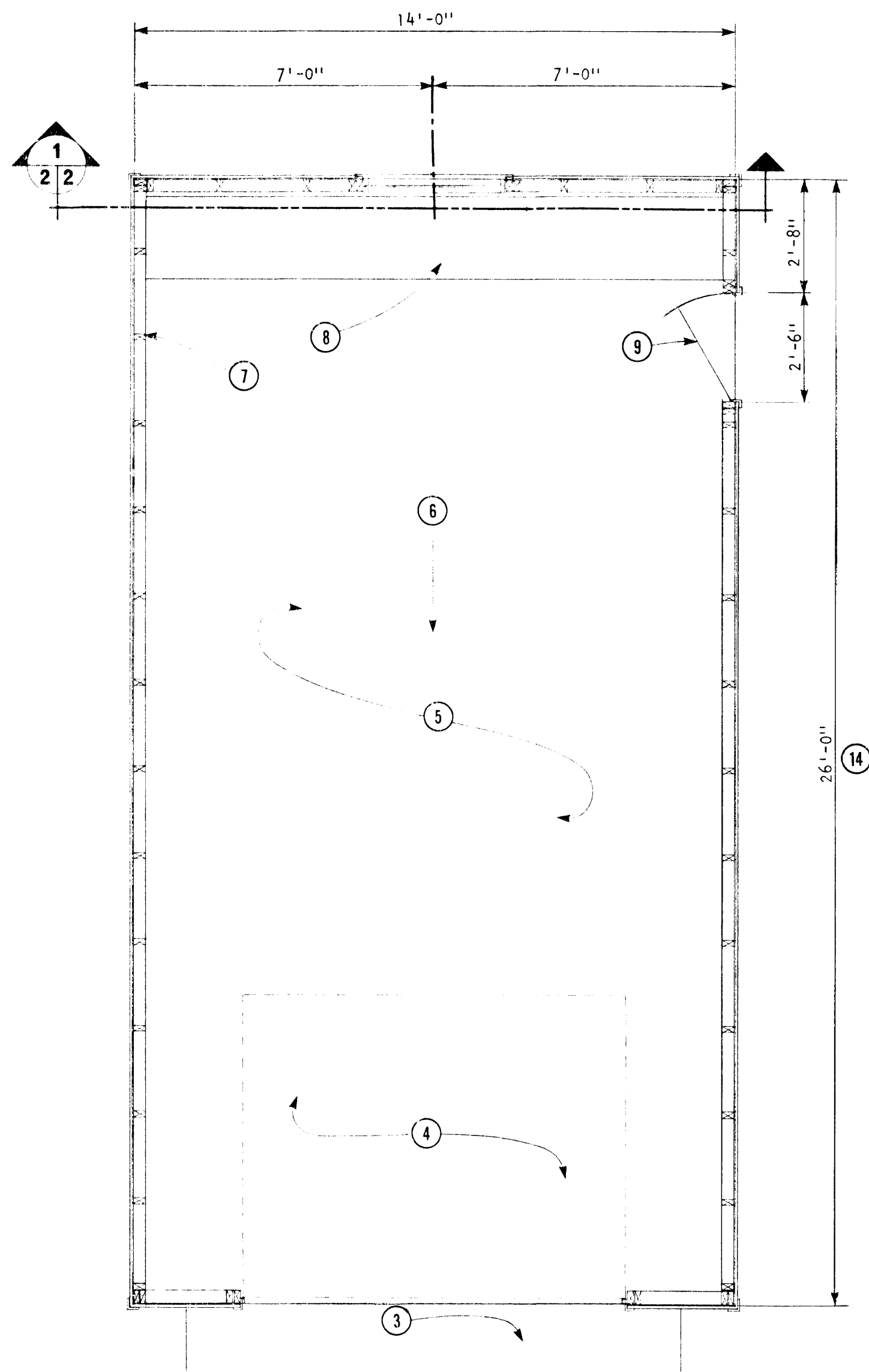
WARNING
 This plan may require structural and other changes to meet local site conditions, climatic loads, user requirements and applicable building regulations (such as the Canadian Farm Building Code). Before construction, the user of this plan is responsible to ensure that all required changes are made.

SYM	REVISIONS	CHECKED	DATE	APPROVED

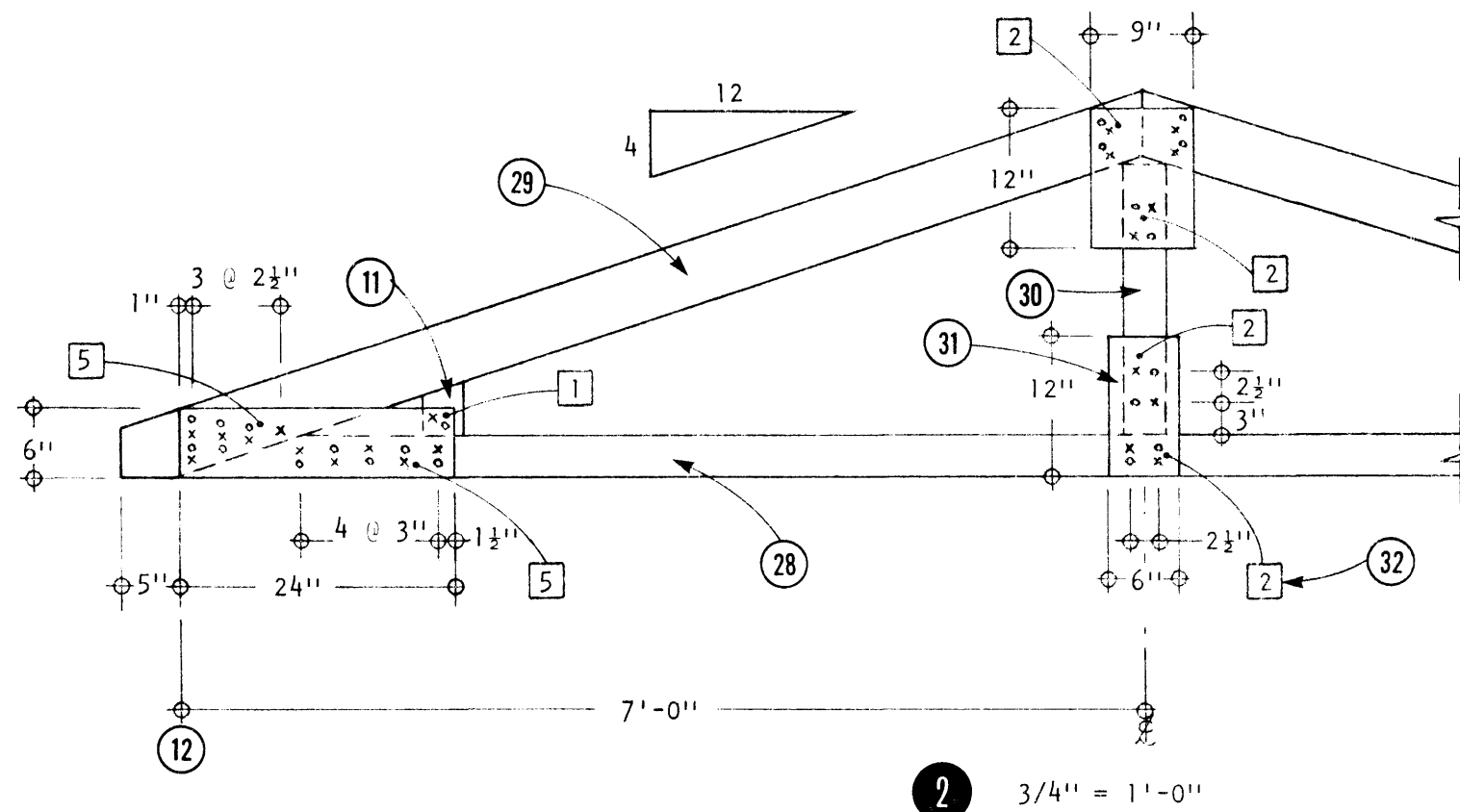
CANADA FARM BUILDING PLAN SERVICE

ONE CAR GARAGE

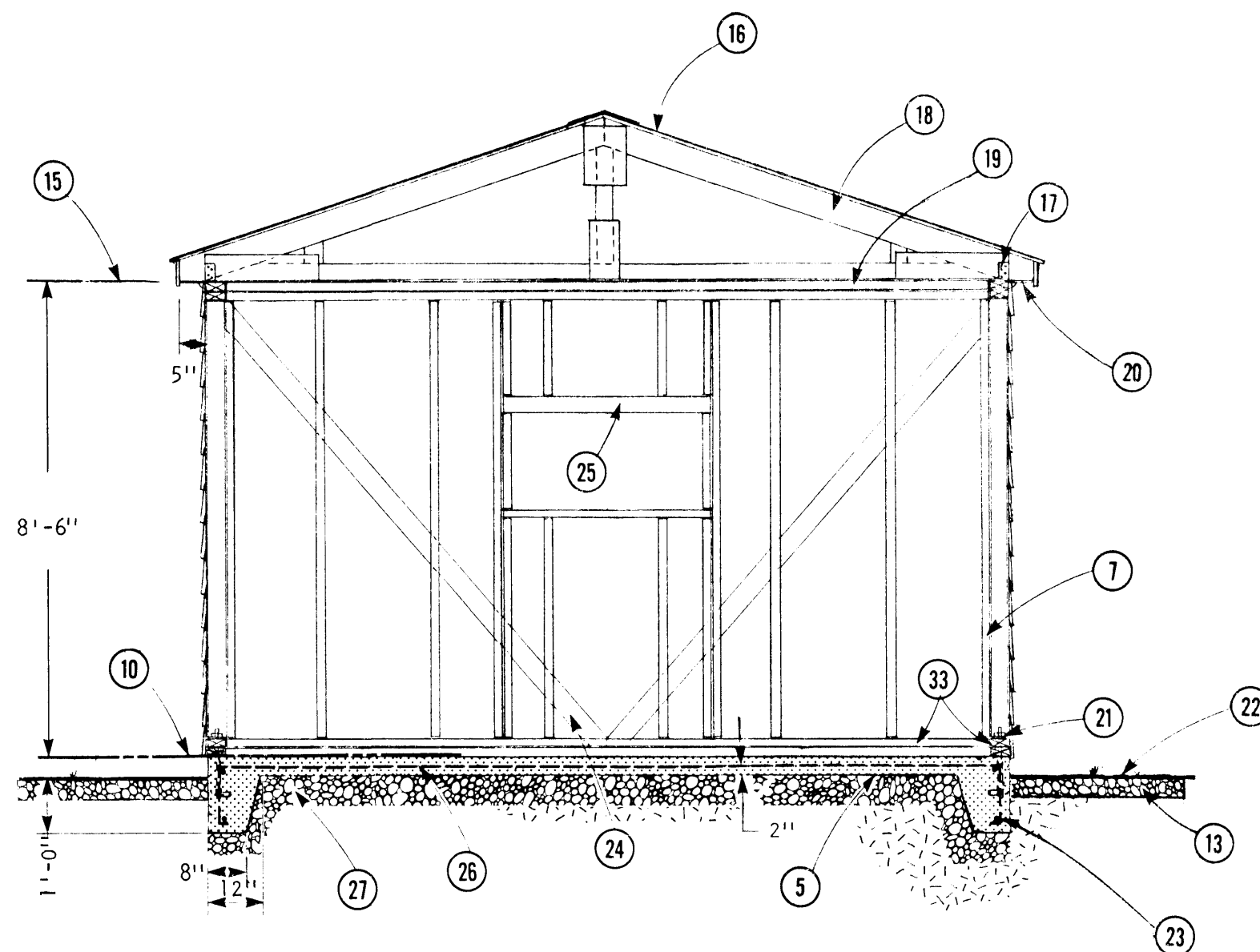
DESIGNED	DATE APRIL 73	PLAN 8342 SHEET 1 OF 2
DRAWN P.W.L.	REVISED	
TRACED	SCALE	
CHECKED H.A.J.	N/A	



1 3/8" = 1'-0"



2 3/4" = 1'-0"



1 3/8" = 1'-0"

1. floor plan
2. truss detail
3. concrete ramp 1 1/2" below floor (5)
4. 9'-0" x 7'-0" overhead door
5. 4" concrete pad
6. floor slope
7. 2" x 4" x 8'-0" stud 24" o.c.
8. 2'-0" work bench (optional)
9. 2'-6" x 6'-6" door
10. finished floor
11. 2" x 4" wood blocking-grain to be vertical
12. outer edge of truss support
13. 3'-0" wide x 4" deep coarse gravel perimeter splashpad, slope away from bldg.
14. suggested size if a work bench is installed; building may be lengthened or shortened by 2'-0" increments. Minimum length 24'-0"
15. top of plate
16. 210# asphalt shingles over 3/8" sheathing grade douglas fir plywood.
17. standard framing anchor at each truss
18. 14'-0" span truss @ 2'-0" o.c. See (2) for details. Total roof load with #2 grade douglas fir or #2 grade spruce is 62 psf
19. 2 - 2" x 4" top plate
20. 1/2" plywood soffit
21. 3/8" diam. x 12" anchor bolt 6'-0" o.c.
22. grade
23. 1/2" Ø re-bars top & bottom, continuous
24. 1" x 4" corner brace
25. 2 - 2" x 4" lintel on edge
26. 6" x 6" 6/6 wire mesh reinforcing
27. 6" compact gravel fill
28. 2" x 4" x 14'-0" truss member
29. 2" x 6" x 8'-0" truss member
30. 2" x 4" x 24" truss member
31. 1/2" sheathing grade douglas fir plywood gussets each side
32. [2] denotes number of nails from each side; nails to be 2 1/2" #6 gauge truss gusset type (by the STEEL COMPANY OF CANADA or equivalent)
33. 2-2" x 4" treated sill

SYM	REVISIONS	CHECKED	DATE	APPROVED

CANADA FARM BUILDING PLAN SERVICE

PLAN AND SECTION

DESIGNED	DATE APRIL 73	PLAN
DRAWN B.W.L.	REVISED	8342
TRACED	SCALE	SHEET 2 OF 2
CHECKED Z.A.G.	AS SHOWN	

A Detail No.
 B Sheet No. On Which Detail Originates
 C Sheet No. On Which Detail is Shown