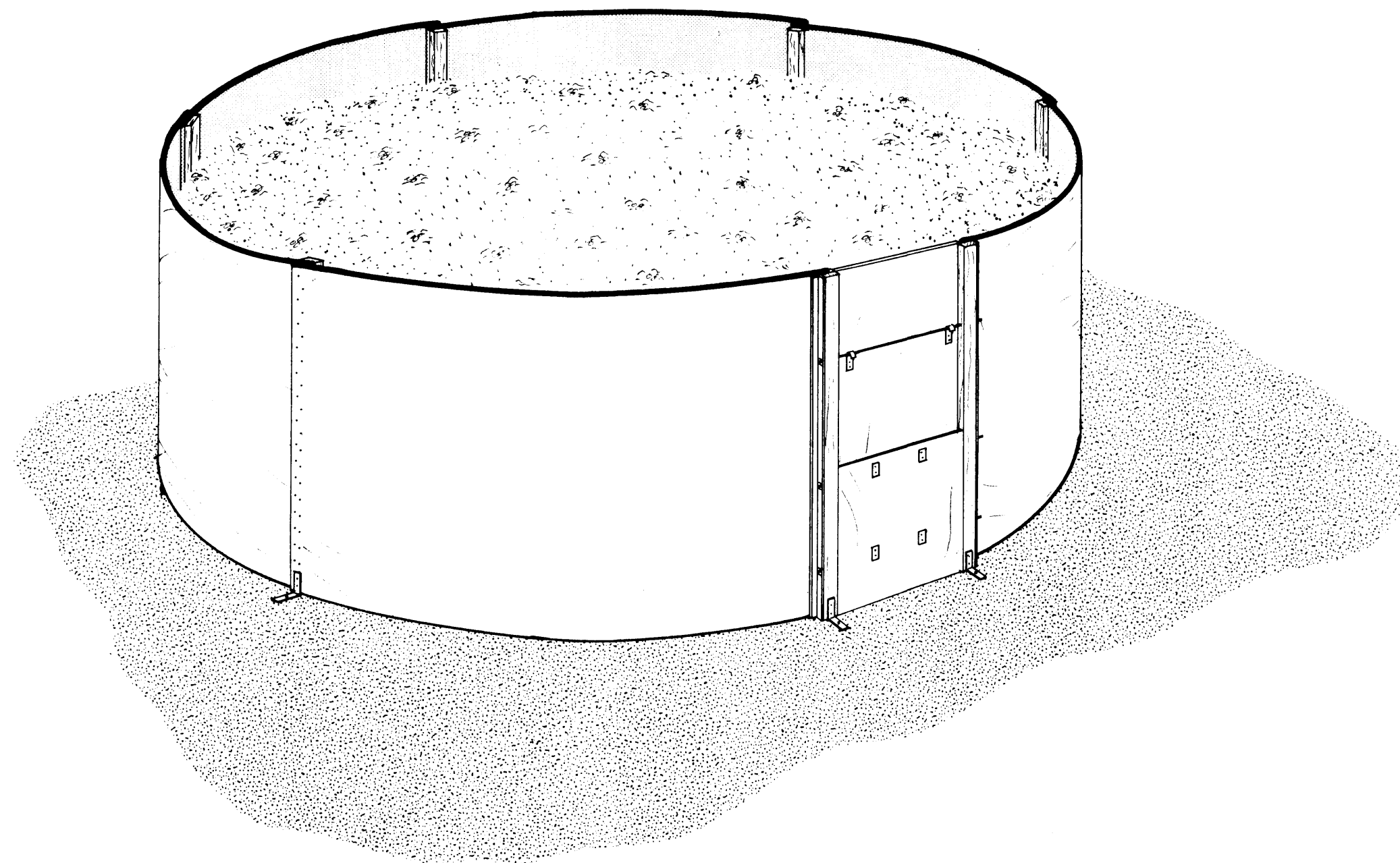


1 for management information see leaflet 8422



**WARNING**  
 This plan may require structural and other changes to meet local site conditions, climatic loads, user requirements and applicable building regulations (such as the Canadian Farm Building Code). Before construction, the user of this plan is responsible to ensure that all required changes are made.

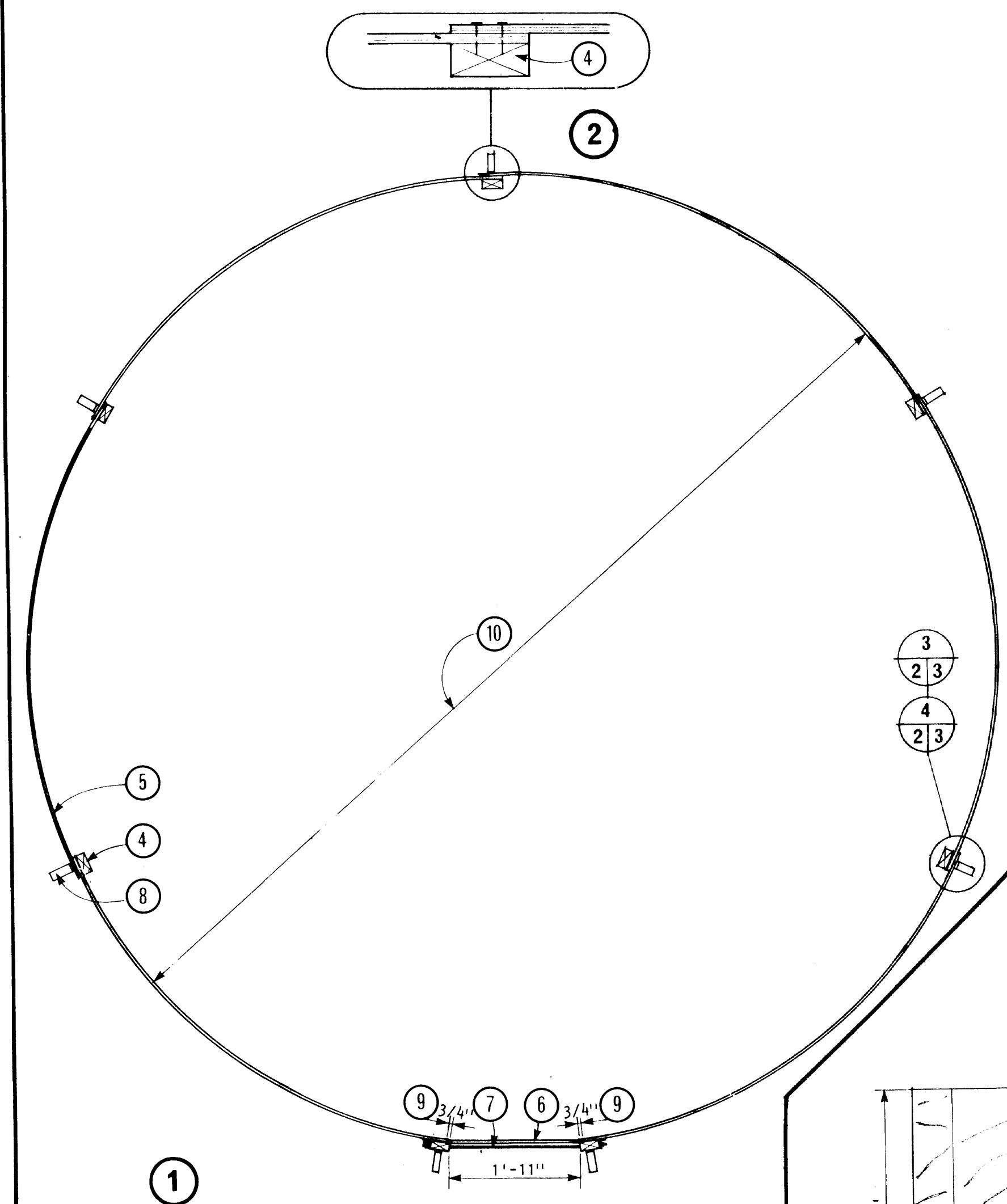
LIST OF DRAWINGS

sheet no.	title
1	CIRCULAR PORTABLE FERTILIZER BIN - 4 FEET HIGH
2	PLAN & ELEVATION
3	NAILING SCHEDULES & DETAILS

SYM	REVISIONS	CHECKED	DATE	APPROVED

	CIRCULAR PORTABLE FERTILIZER BIN - 4 FEET HIGH	
	DESIGNED <i>JET</i>	DATE JULY/77

DRAWN <i>R. PELLA</i>	REVISED	<b>PLAN</b> <b>8422</b>					
TRACED	<table border="1"> <tr> <td>DETAIL NUMBER</td> <td><b>A</b></td> </tr> <tr> <td>ORIGINATES ON SHEET</td> <td><b>B</b></td> </tr> <tr> <td>DRAWN ON SHEET</td> <td><b>C</b></td> </tr> </table>		DETAIL NUMBER	<b>A</b>	ORIGINATES ON SHEET	<b>B</b>	DRAWN ON SHEET
DETAIL NUMBER	<b>A</b>						
ORIGINATES ON SHEET	<b>B</b>						
DRAWN ON SHEET	<b>C</b>						
CHECKED <i>H.A.J.</i>		SHEET 1 OF 3					



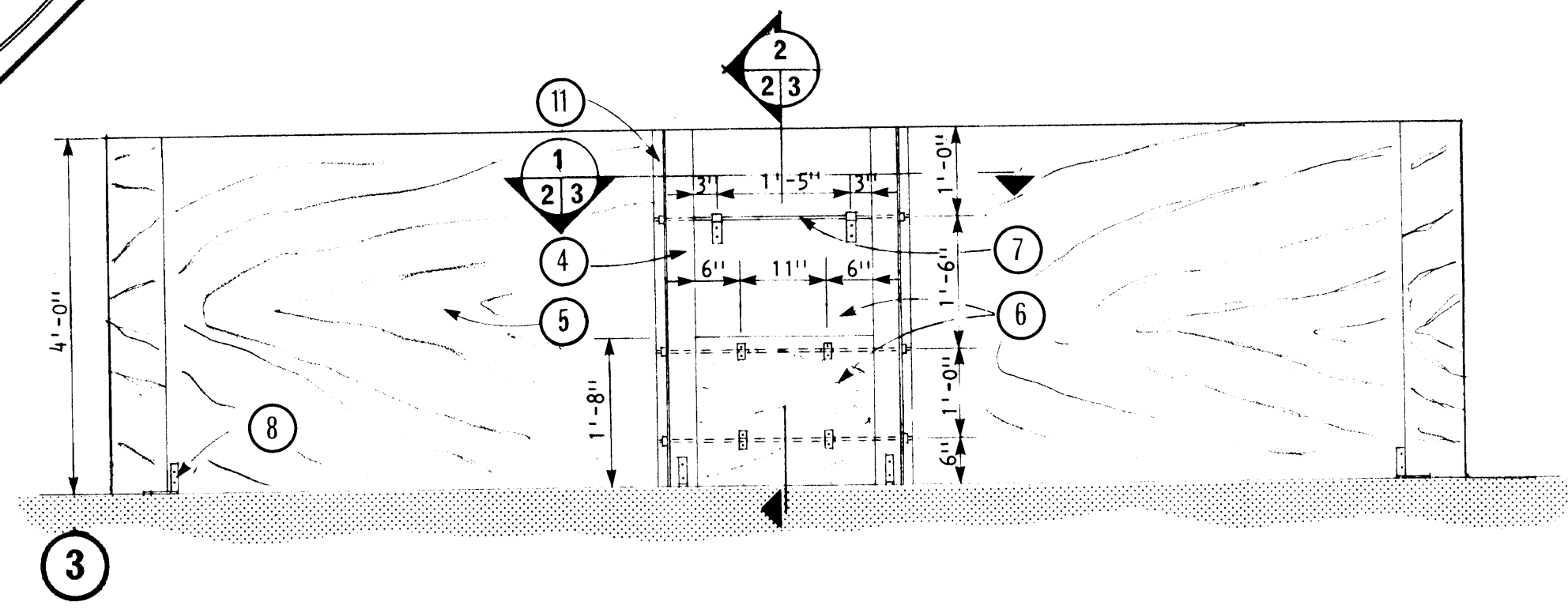
**BIN SIZE SPECIFICATIONS:**

	Nominal Bin Diameter		
	10'	15'	20'
Number of 5/16" plywood sheets required ('sheathing' grade fir)	4 pcs.	6 pcs.	8 pcs.
Bin diameter at joint line ⑩	10'-7"	15'-6"	20'-4"
Capacity of bin (level full) ⑫ (heaped full, 30° heaping angle) ⑫	11.4 tons 14.2 tons	24.4 tons 33.4 tons	42.3 tons 63.0 tons

**GENERAL SPECIFICATIONS:**

1. Plywood;  
Use 'sheathing' grade exterior fir plywood. Sanded grades offer no structural advantage in this application.
2. Assembly of Bins;  
Begin assembly by lightly nailing wood strips to one end of each plywood sheet. Overlap edge of second sheet 3 1/2" and drive 1 1/2" large head galvanized roofing nails thru joint and into nailing strip as indicated on nailing schedule.  
Seal all exposed nail heads with polyurethane paint or varnish.

1	plan of typical bin
2	typical lap joint, see sheet 3 for nailing details
3	bin elevation at access door
4	2" x 4" nailing strips, 1 at each joint
5	5/16" 'sheathing' grade exterior fir plywood bin walls
6	3/4" 'sheathing' grade exterior fir plywood access door panels
7	1/2" dia. x 3'-0" threaded steel rod, bright plated and oiled
8	floor anchor, see ③/②③ or ④/②③
9	set back plywood for access door
10	bin diameter at joint line
11	1 1/2" x 1 1/2" x 3/16" x 4' steel angle
12	capacities calculated assuming a fertilizer density of 65 lb/cu ft

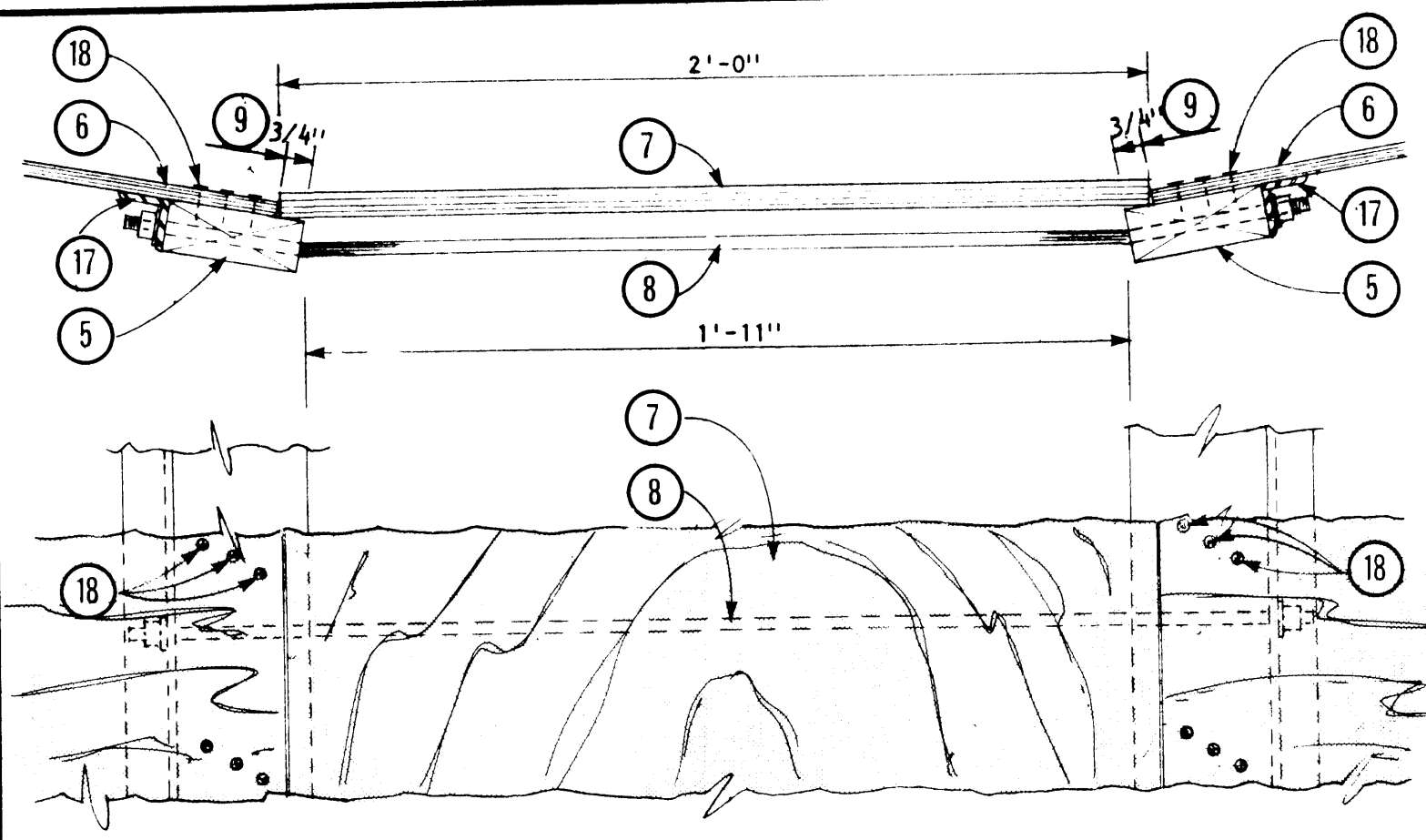
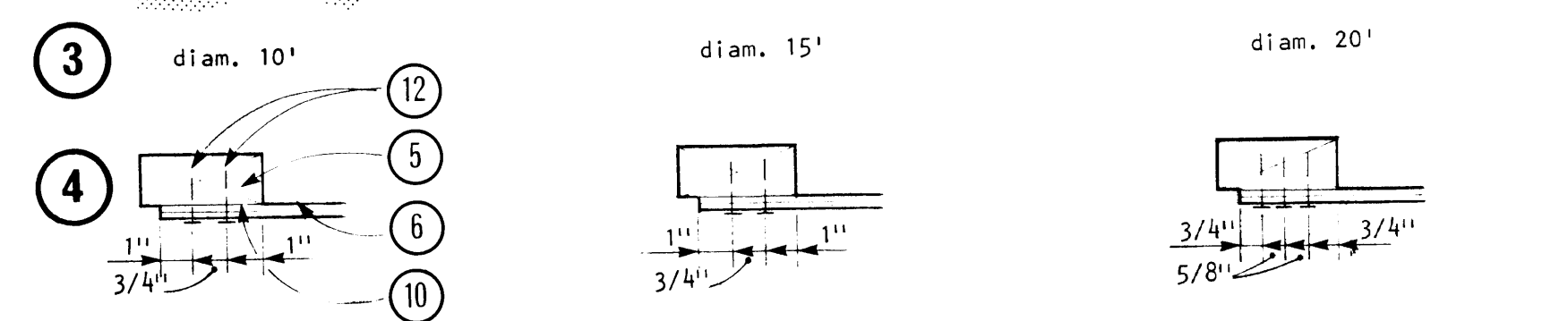
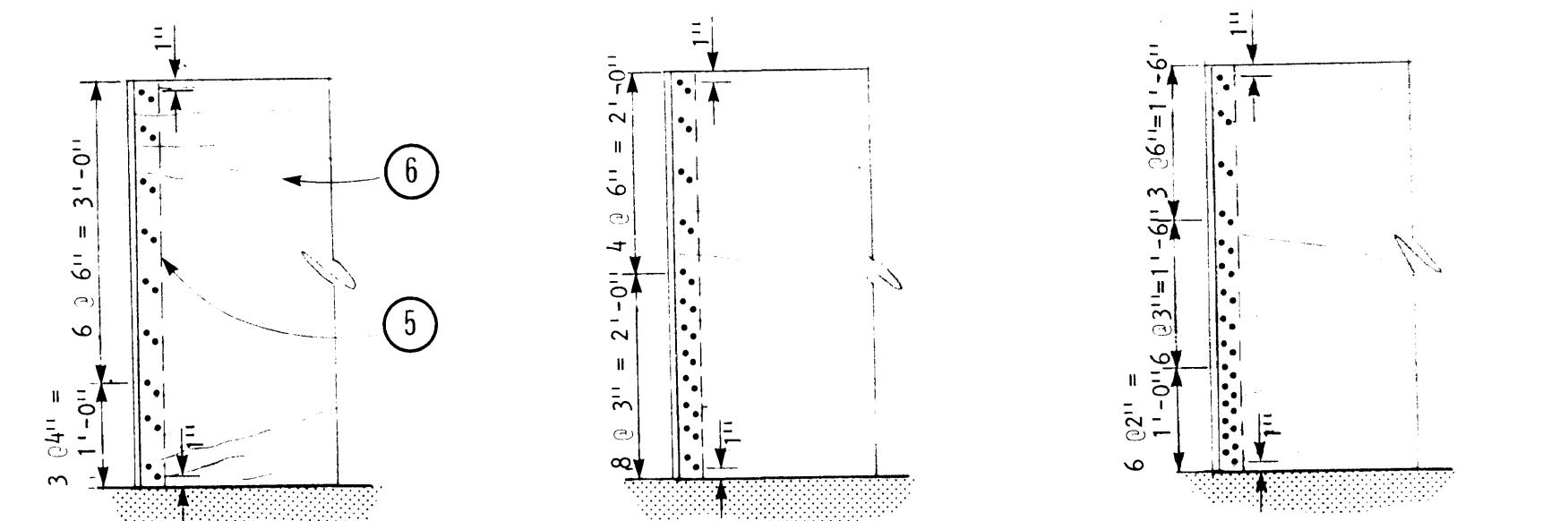
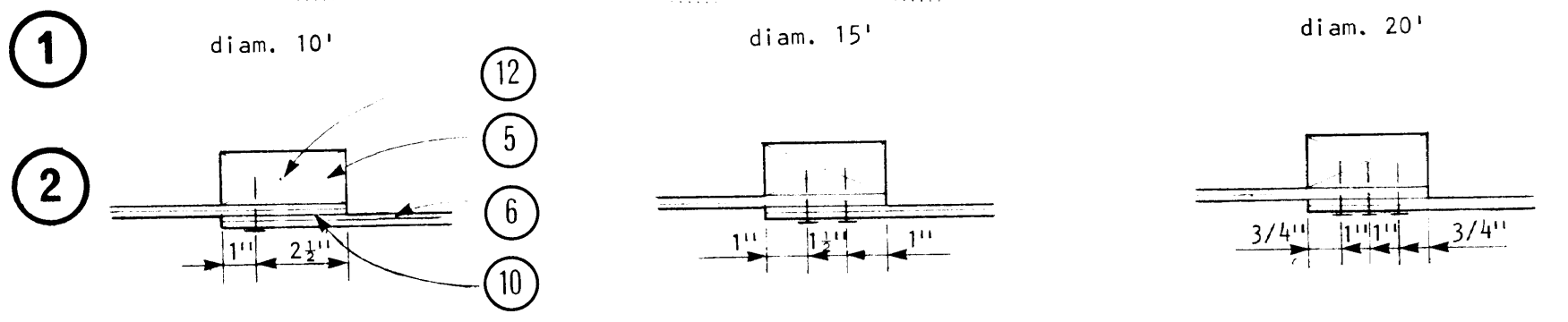
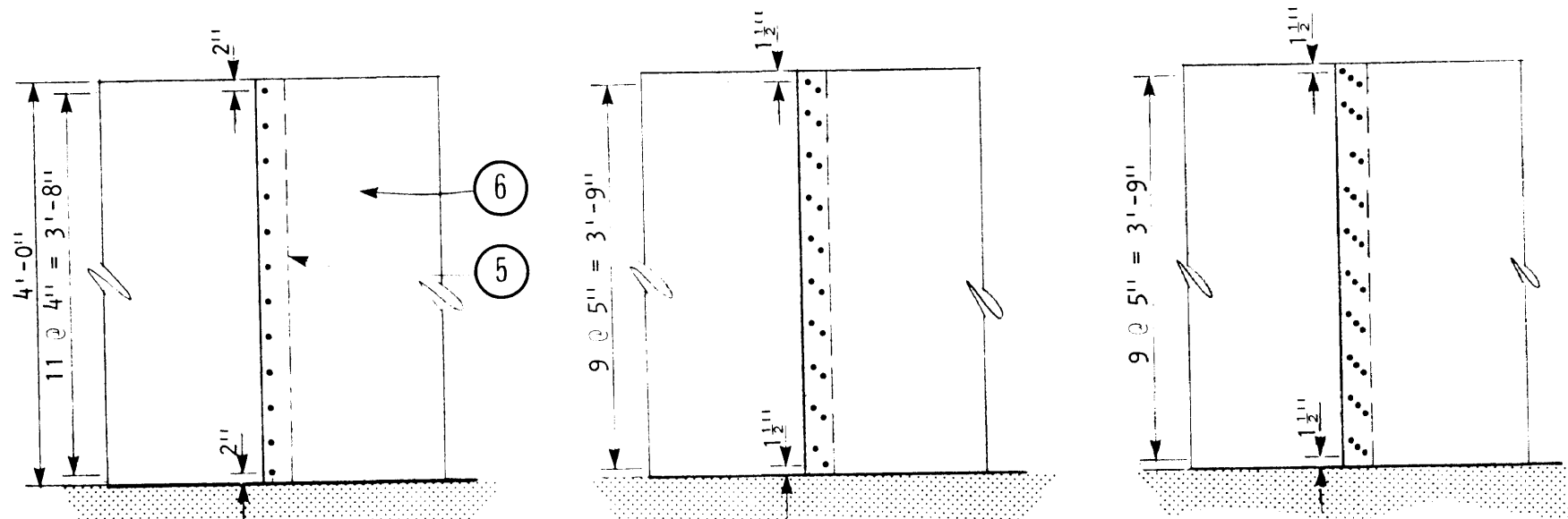


SYM	REVISIONS	CHECKED	DATE	APPROVED
-----	-----------	---------	------	----------

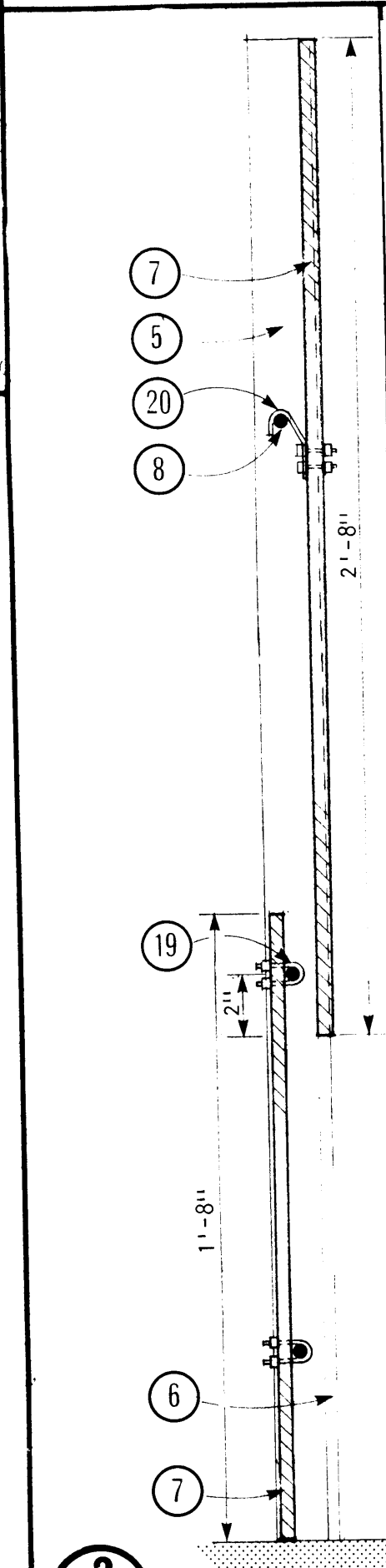
**CANADA PLAN SERVICE**

PLAN & ELEVATION

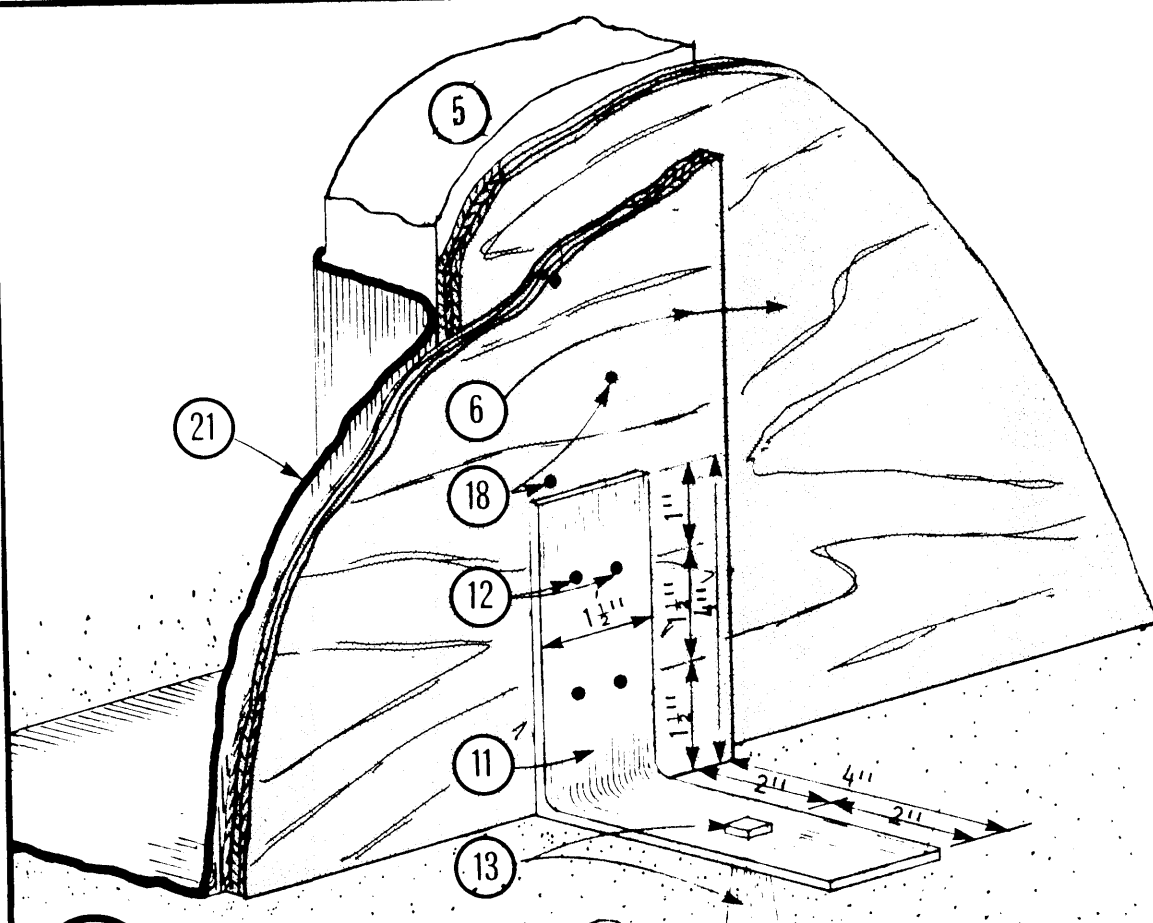
DESIGNED <i>J.E.T.</i>	DATE JULY/77	PLAN <b>8422</b>
DRAWN <i>R. PELLA</i>	REVISED	
TRACED	DETAIL NUMBER	SHEET 2 OF 3
CHECKED <i>H.A.J.</i>	ORIGINATES ON SHEET <i>B</i> DRAWN ON SHEET <i>C</i>	



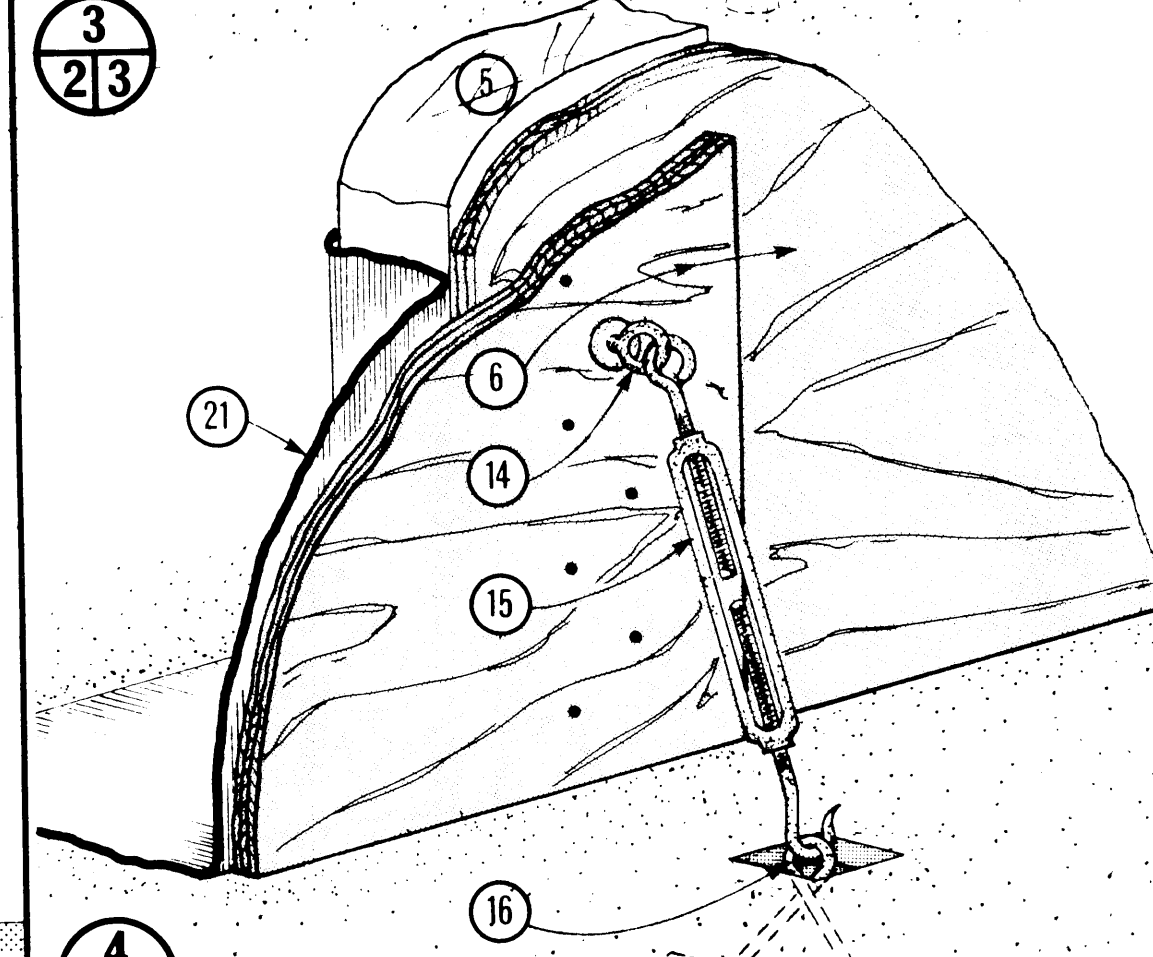
1  
2/3



2  
2/3



3  
2/3



4  
2/3

- 1 nailing schedules for typical lap joint, alternate bin diameters, seen from outside
- 2 typical nail spacing for schedules ①
- 3 nailing schedules for joint at access door, alternate diameters, seen from inside
- 4 typical nail spacing for schedules ③
- 5 2" x 4" nailing strips, 1 at each joint
- 6 5/16" 'sheathing' grade exterior fir plywood bin walls
- 7 3/4" 'sheathing' grade exterior fir plywood access door panels
- 8 1/2" diam. x 3'-0" threaded rod, bright plated and oiled
- 9 set back plywood for access door
- 10 joint line
- 11 anchor cut from 4" x 4" x 1/2" steel angle
- 12 1 1/2" large head galv. roofing nails
- 13 5/16" x 2" anchor bolt and expansion shield to match
- 14 3/8" galv. eyebolt and washers
- 15 3/8" galv. turnbuckle hook, oil as req'd
- 16 anchor recessed in floor; from #3 rebar, rustproof painted
- 17 1 1/2" x 1 1/2" x 3/16" x 4' steel angle
- 18 1 1/2" large head galv. roofing nails, see nailing schedules ① or ③
- 19 4 - U-bolts and strap, secure plywood to threaded rod, remove nuts to open
- 20 strap hook, from 3/16" x 1" stock, 2 bolts to plywood
- 21 polyethylene liner for fertilizers tending to absorb moisture

SYM	REVISIONS	CHECKED	DATE	APPROVED

**CANADA**  
PLAN SERVICE

NAILING SCHEDULES  
& DETAILS

DESIGNED <i>J.E.T.</i>	DATE JULY/77	PLAN <b>8422</b>
DRAWN <i>R. PELLA</i>	REVISED	
TRACED	DETAIL NUMBER <i>A</i>	SHEET <b>3</b> OF <b>3</b>
CHECKED <i>H.A.J.</i>	ORIGINATES ON SHEET <i>B</i> DRAWN ON SHEET <i>C</i>	